

Tyco / Electronics
Raychem Circuit Protection
 308 Constitution Drive
 Menlo Park, CA 94025-1164
 Phone: 800-227-4856
 Fax: 800-227-4866

PolySwitch®
PTC Devices
 Overcurrent Protection Device

PRODUCT: TR250-145

DOCUMENT: SCD 22544
 PCN: 844735-000; 636309-000
 REV LETTER: K
 REV DATE: APRIL 11, 2006
 PAGE NO.: 1 OF 1

Specification Status: RELEASED

Max Electrical Rating at 20°C

Operating Voltage: 60V_{DC}
Interrupt Current: 3A_{RMS}

Fault Voltage: 250V_{RMS}

Lead Material: 22 AWG Sn/Pb plated copper
 (0.65 mm [0.026"] nominal diameter)

External Coating Material: Cured, flame retardant epoxy polymer, meeting UL94 V-0 requirements.

Marking:

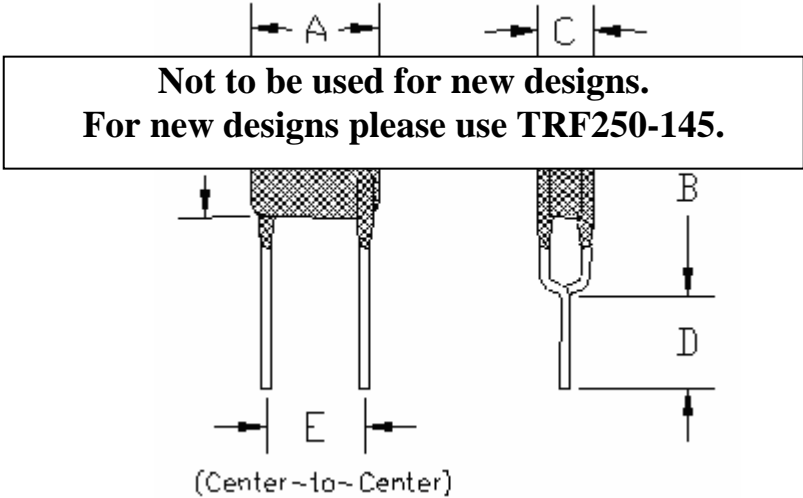
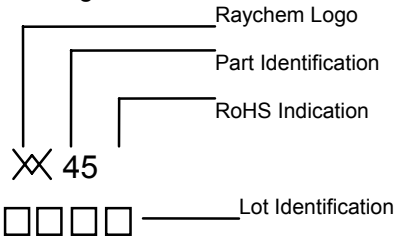


TABLE I. DIMENSIONS:

	A		B		C		D		E	F	
	MIN	MAX	MIN	MAX	MIN	MAX	MIN	MAX	NOM	MIN	MAX
mm:	--	6.5	--	11.0	--	4.6	4.7	--	5.0	--	7.0
in:	--	(0.256)	--	(0.433)	--	(0.180)	(0.185)	--	(0.197)	--	(0.276)

TABLE II. PERFORMANCE RATINGS @ 20°C (unless otherwise noted):

IHOLD (A)	ITRIP (A)	RESISTANCE (Ω)			TIME TO TRIP (s) @ 1A	OPERATING TEMPERATURE (°C)	
		R MIN	R MAX	R _{1MAX} *		MIN	MAX
0.145	0.290	3.0	6.0	14.0	TYP 2.5	MIN -40	MAX 85

* Maximum device resistance at 20°C measured 1 hour post trip.

Additional Ratings @ 20°C
 Lightning Withstand ITU-T @ 1.5kV

Agency Recognition: UL, CSA, TUV
 Reference Documents: PS300
 Precedence: This specification takes precedence over documents referenced herein.
 Effectivity: Reference documents shall be the issue in effect on the date of invitation for bid.
 CAUTION: Operation beyond the rated voltage or current may result in rupture, electrical arcing or flame.

© 2006 Tyco Electronics Corporation. All rights reserved.