

**Tyco / Electronics**  
**Raychem Circuit Protection**  
 308 Constitution Drive  
 Menlo Park, CA 94025-1164  
 Phone: 800-227-4856  
 Fax: 800-227-4866

**PolySwitch®**  
**PTC Devices**  
 Overcurrent Protection Device

**PRODUCT: TR250-120**

DOCUMENT: SCD 22547  
 PCN: 018960, 395235  
 REV LETTER: L  
 REV DATE: MAY 25, 2006  
 PAGE NO.: 1 OF 1

**Specification Status: RELEASED**

**Max Electrical Rating at 20°C**

**Operating Voltage: 60V<sub>DC</sub>**

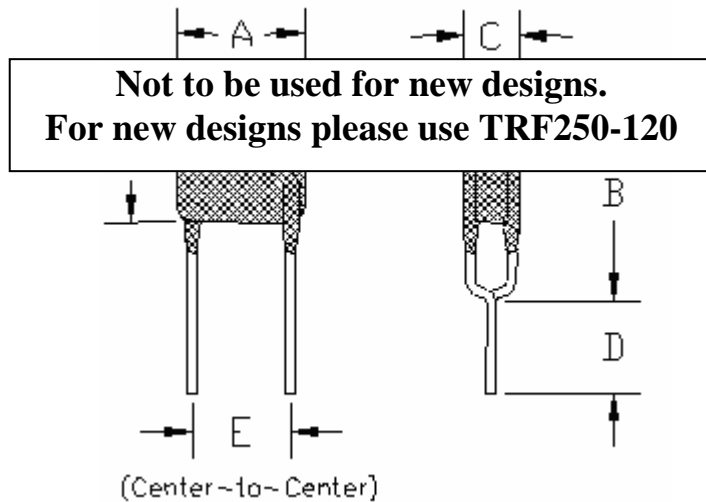
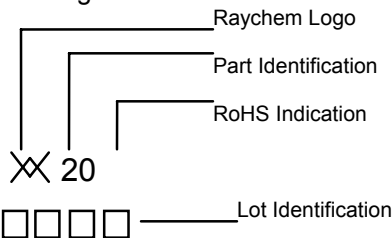
**Interrupt Current: 3A<sub>RMS</sub>**

**Fault Voltage: 250V<sub>RMS</sub>**

**Lead Material:** 22 AWG Sn/Pb plated copper (0.65 mm [0.026"] nominal diameter)

**External Coating Material:** Cured, flame retardant epoxy polymer, meeting UL94 V-0 requirements.

**Marking:**



**TABLE I. DIMENSIONS:**

	A		B		C		D		E	F
	Min	Max	Min	Max	Min	Max	Min	Max	Nom	Max
mm:	--	6.5	--	11.0	--	4.6	4.7	--	5.0	7.0
in:	--	(0.256)	--	(0.433)	--	(0.180)	(0.185)	--	(0.197)	(0.276)

**TABLE II. PERFORMANCE RATINGS @ 20°C (unless otherwise noted):**

I HOLD (A)	I TRIP (A)	RESISTANCE (Ω)			TIME TO TRIP (s) @ 1A	OPERATING TEMPERATURE (°C)		
		R MIN	R MAX	R <sub>1 MAX</sub> *		MIN	MAX	
0.120	0.240	4.0	8.0	16.0	TYP	1.5	-40	85

\*Maximum device resistance at 20°C measured 1 hour post trip.

**Additional Rating @ 20°C**

Lightning Withstand: ITU-T @ 1.5KV      Storage Temperature: -40° to 85° C

Recognitions: UL, CSA, TUV  
 Reference Documents: PS300  
 Precedence: This specification takes precedence over documents referenced herein.  
 Effectivity: Reference documents shall be the issue in effect on the date of invitation for bid.  
 CAUTION: Operation beyond the rated voltage or current may result in rupture, electrical arcing or flame.