

# Surface Mount Fuse High Current

*Raychem Circuit Protection Products*

**PRODUCT: 1206SFH Family**

DOCUMENT: SCD 27519  
REV LETTER: A  
REV DATE: OCTOBER 16, 2008  
PAGE NO.: 1 OF 3

## Specification Status: Released

### Max Electrical Rating at 25°C

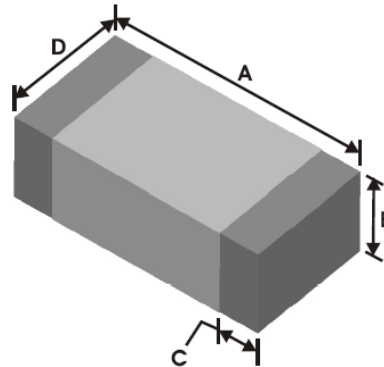
**Max Voltage: 24V<sub>DC</sub>**  
**Max Interrupt Current: 100A at rated voltage**

Operating temperature range: -55°C to 125°C  
(with de-rating)

Termination Material: Silver, Nickel, Tin

Fuse Element: Silver

Body Material: Glass Ceramic



### Clear Time Characteristics

% of current rating	Clear time at 25°C
100%	4 hours min.
250%	5 seconds max.

### Dimensions

	A		B		C		D	
	MIN	MAX	MIN	MAX	MIN	MAX	MIN	MAX
mm:	3.00	3.40	0.77	1.17	0.26	0.76	1.40	1.80
in:	(0.118)	(0.134)	(0.030)	(0.046)	(0.010)	(0.030)	(0.055)	(0.071)

Part Number	Current Rating (A)	Voltage Rating (VDC)	Nominal Cold DCR (Ω)*
1206SFH100F/24	10	24	0.010
1206SFH120F/24	12	24	0.008
1206SFH150F/24	15	24	0.005
1206SFH200F/24	20	24	0.003

\* Measured at 10% of rated current and 25°C

Agency Recognition: UL E197536  
Precedence: This specification takes precedence over documents referenced herein.  
Effectivity: Reference documents shall be the issue in effect on the date of invitation for bid.

### Materials Information

**ROHS Compliant**

Directive 2002/95/EC  
Compliant

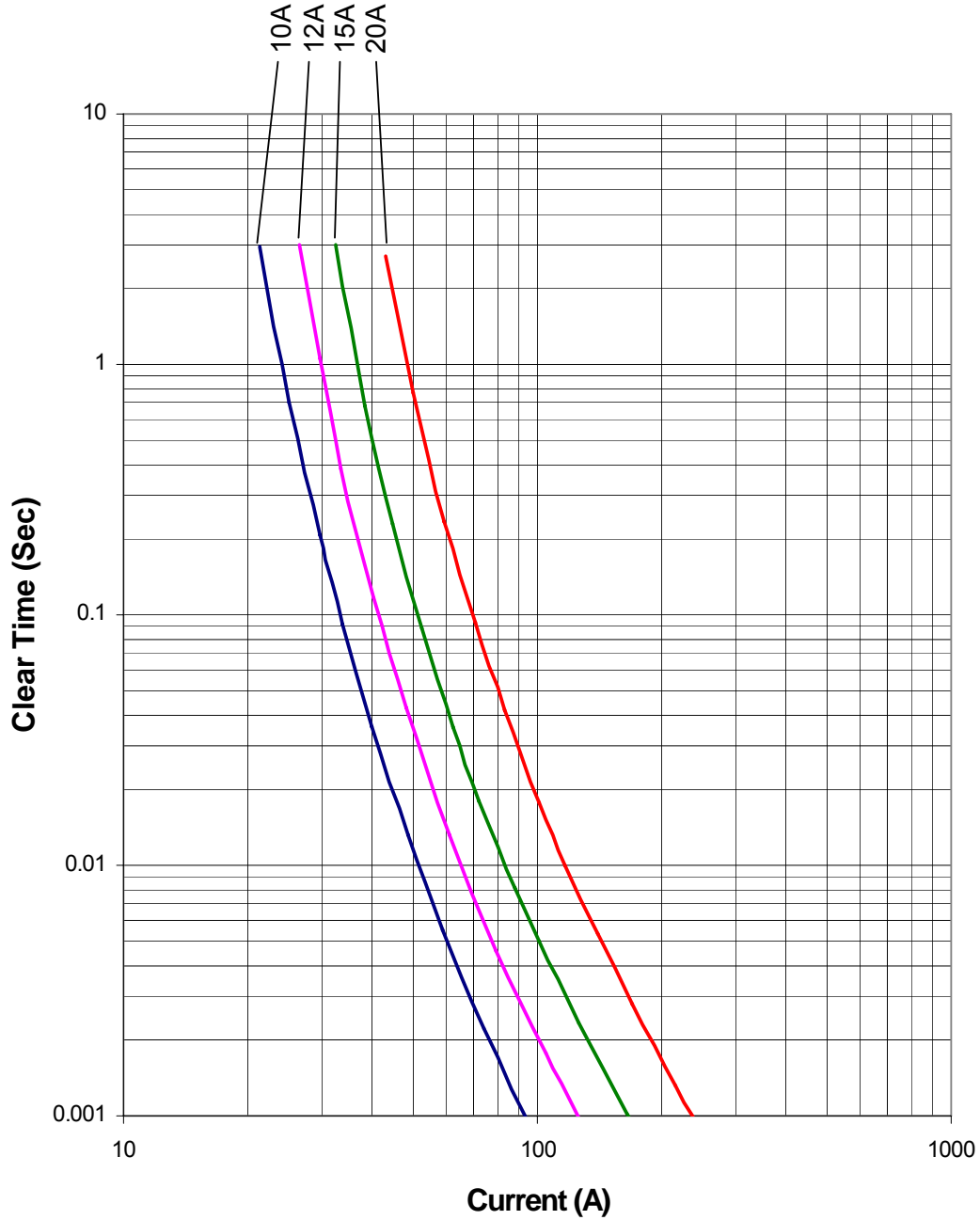
**ELV Compliant**

Directive 2000/53/EC  
Compliant

# Surface Mount Fuse High Current

Raychem Circuit Protection Products

## Average Clear Time Curves



# Surface Mount Fuse High Current

Raychem Circuit Protection Products

## Nominal $I^2 t$ vs $t$ Curves

