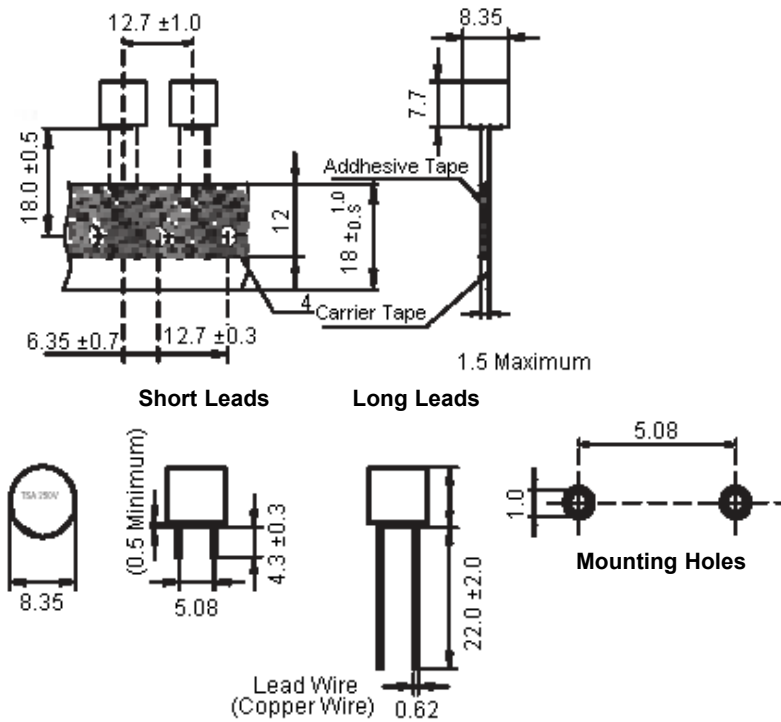


Radial Lead Fuses

Round - Slow Blow



Dimensions : Millimetres

Electrical Characteristics

Rated Current	1.5In	2.1In	2.75In		4In		10In	
	Minimum	Maximum	Minimum	Maximum	Minimum	Maximum	Minimum	Maximum
40mA to 5A	60 Minutes	2 Minutes	400ms	10 Seconds	150ms	3ms	20ms	150ms
6.3A to 10A							15ms	

Interrupting Ratings

35 amperes or 10 x rated current; whichever is greater at 250V ac.



Radial Lead Fuses

Round - Slow Blow



Environmental Specifications:

Operating Temperature	: -55°C to +125°C.
Shock	: MIL-STD-202, Method 213, Condition 1 (Saw Tooth).
Vibration	: MIL-STD-202, Method 201 (10-55Hz x 3 axis/No Load).
Salt Spray	: MIL-STD-202, Method 101, Test Condition B (48Hours).
Insulation Resistance	: MIL-STD-202, Method 302, Test Condition A (After Opening) 10,000 ohms minimum.
Resistance to Solder Heat	: MIL-STD-202, Method 210, Test Condition F (10 seconds at 260°C).
Thermal Shock	: MIL-STD-202, Method 107, Test Condition B (-65°C to +125°C).

Physical Specifications:

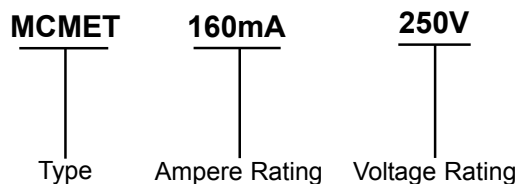
Materials:

Base and Cap	: Black Thermoplastic.
Pin	: Tin-lead Plated Alloy.

Specification Table

Ampere Rating (In)	Voltage Rating (V)	Nominal Resistance Cold Ohms	Maximum Voltage Drop (mV)	Nominal Melting I ² t A ² Sec	Part Number
160mA	250	1.3000	250	0.133100	MCMET 160mA 250V
200mA		0.7810		0.200000	MCMET 200mA 250V
250mA		0.5690	220	0.375000	MCMET 250mA 250V
315mA		0.4060	200	0.545700	MCMET 315mA 250V
400mA		0.2700	180	1.040000	MCMET 400mA 250V
500mA		0.1770	170	1.250000	MCMET 500mA 250V
630mA		0.1270	160	2.302000	MCMET 630mA 250V
800mA		0.0860	150	3.136000	MCMET 800mA 250V
1A		0.0790	140	6.500000	MCMET 1A 250V
1.25A		0.0630	130	12.500000	MCMET 1.25A 250V
1.6A		0.0370	120	18.944000	MCMET 1.6A 250V
2A		0.0300	100	32.000000	MCMET 2A 250V
2.5A		0.0220		37.500000	MCMET 2.5A 250V
3.15A		0.0170		84.341000	MCMET 3.15A 250V
4A		0.0120		144.000000	MCMET 4A 250V

Part Number Explanation:



Ampere Rating : 160mA, 200mA, 250mA, 315mA, 400mA, 500mA, 630mA, 800mA, 1A, 1.25A, 1.6A, 2A, 2.5A, 3.15A and 4A.



Radial Lead Fuses

Round - Slow Blow



Notes:

International Sales Offices:



AUSTRALIA - Farnell
Tel No: ++61 1300 361 005
Fax No: ++61 1300 361 225



FINLAND - Farnell
Tel No: ++358 9 560 7780
Fax No: ++358 9 345 5411



ITALY - Farnell
Tel No: ++39 02 93 995 200
Fax No: ++39 02 93 995 300



SPAIN - Farnell
Tel No: 901 20 20 80
Fax No: 901 20 20 90



AUSTRIA - Farnell
Tel No: ++43 662 2180 680
Fax No: ++43 662 2180 670



FRANCE - Farnell
Tel No: ++33 474 68 99 99
Fax No: ++33 474 68 99 90



MALAYSIA - Farnell-Newark
Tel No: ++60 3 7873 8000
Fax No: ++60 3 7873 7000



SWEDEN - Farnell
Tel No: ++46 8 730 50 00
Fax No: ++46 8 83 52 62



BELGIUM - Farnell
Tel No: ++32 3 475 2810
Fax No: ++32 3 227 3648



GERMANY - Farnell
Tel No: ++49 89 61 39 39 39
Fax No: ++49 89 613 59 01



NETHERLANDS - Farnell
Tel No: ++31 30 241 7373
Fax No: ++31 30 241 7333



SWITZERLAND - Farnell
Tel No: ++44 204 64 64
Fax No: ++44 204 64 54



BRAZIL - Farnell-Newark
Tel No: ++55 11 4066 9400
Fax No: ++55 11 4066 9410



HONG KONG - Farnell-Newark
Tel No: ++852 2268 9888
Fax No: ++852 2268 9899



NEW ZEALAND - Farnell
Tel No: 0800 90 80 80
Fax No: 0800 90 80 81



UK - Farnell
Tel No: ++44 8701 200 200
Fax No: ++44 8701 200 201



CHINA - Farnell-Newark
Tel No: ++86 10 6238 5152
Fax No: ++86 10 6238 5022



HUNGARY - Farnell
Tel No: ++44 870 1200 208
Fax No: ++44 870 1200 209



NORWAY - Farnell
Tel No: 800 146 70
Fax No: 800 146 76



UK - CPC
++44 8701 202 530
++44 8701 202 531



CZECH REPUBLIC - Farnell
Tel No: ++44 870 1200 208
Fax No: ++44 870 1200 209



INDIA - Farnell
Tel No: ++44 870 1200 208
Fax No: ++44 870 1200 209



PORTUGAL - Farnell
Tel No: ++34 93 475 8804
Fax No: ++34 93 474 5288



USA - Newark
Tel No: 800 463 9275



DENMARK - Farnell
Tel No: ++45 44 53 66 44
Fax No: ++45 44 53 66 06



IRELAND - Farnell
Tel No: ++353 1 830 9277
Fax No: ++353 1 830 9016

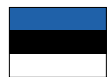


RUSSIA - Farnell
Tel No: ++44 870 1200 208
Fax No: ++44 870 1200 209



EXPORT - Farnell
Tel No: ++44 8701 200 208
Fax No: ++44 8701 200 209

For enquiries from all other markets



ESTONIA - Farnell
Tel No: ++358 9 560 7780
Fax No: ++358 9 345 5411



ISRAEL - Farnell
Tel No: ++180 937 0015
Fax No: ++180 937 0014



SINGAPORE - Farnell-Newark
Tel No: ++65 6788 0200
Fax No: ++65 6788 0300

<http://www.farnell.com>
<http://www.newark.com>
<http://www.cpc.co.uk>

Disclaimer This data sheet and its contents (the "Information") belong to the Premier Farnell Group (the "Group") or are licensed to it. No licence is granted for the use of it other than for information purposes in connection with the products to which it relates. No licence of any intellectual property rights is granted. The Information is subject to change without notice and replaces all data sheets previously supplied. The Information supplied is believed to be accurate but the Group assumes no responsibility for its accuracy or completeness, any error in or omission from it or for any use made of it. Users of this data sheet should check for themselves the Information and the suitability of the products for their purpose and not make any assumptions based on information included or omitted. Liability for loss or damage resulting from any reliance on the Information or use of it (including liability resulting from negligence or where the Group was aware of the possibility of such loss or damage arising) is excluded. This will not operate to limit or restrict the Group's liability for death or personal injury resulting from its negligence. SPC Multicomp is the registered trademark of the Group. © Premier Farnell plc 2008.

