

Subminiature Fuse, 8.5 mm, Time-Lag T, Telecom



IEC 60127-3 · 250VAC · Time-Lag T

**Standards**

- IEC 60127-3/4
- UL 248-14
- CSA C22.2 no. 248.14
- Telcordia GR-1089
- UL 60950 / IEC 60950
- ITU-T K.20 and K.21
- TIA-968-A


Approvals

- VDE Certificate Number: 40013529
- UL File Number: E41599
- CSA File Number: 51172

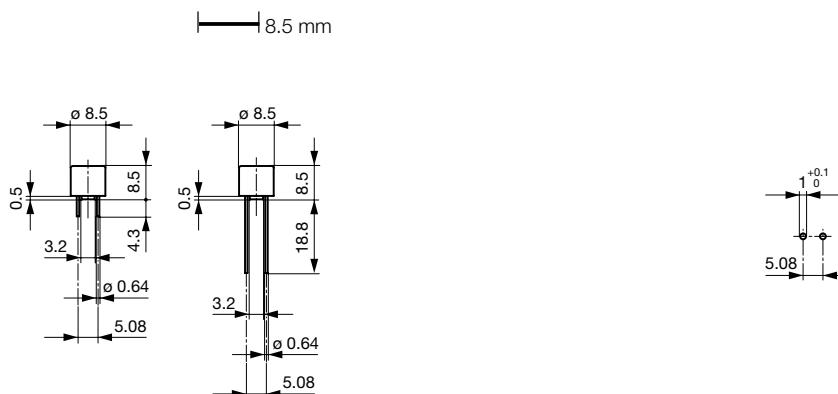
Applications

- xDSL and ADSL linecards and modems

References**Packaging Details**Corresponding Fuseholder [FMS \(250V\)](#)**Weblinks**
[General Product Information](#), [Approvals](#), [RoHS](#), [CHINA-RoHS](#), [e-Store](#), [SCHURTER-Stock-Check](#), [Distributor-Stock-Check](#)
Technical Data

Rated Voltage	250VAC
Rated Current	0.25 - 3.15A
Breaking Capacity	35A
Characteristic	Time-Lag T
Mounting	PCB,THT
Admissible Ambient Air Temp.	-40°C to 85°C
Climatic Category	40/085/21 acc. to IEC 60068-1
Material: Housing	Thermoplastic, UL 94V-0
Material: Terminals	Tin-Plated Copper
Unit Weight	0.5 g
Storage Conditions	0°C to 60°C, max. 70% r.h.
Product Marking	 Type, Current, Voltage, Characteristic, Approvals

Soldering Methods	Wave, Iron
Solderability	235 °C / 2 sec acc. to IEC 60068-2-20, Test Ta, method 1
Resistance to Soldering Heat	260 °C / 5 sec acc. to IEC 60068-2-20, Test Tb, method 1A
Current Carrying Capacity	acc. to EIA/IS-722, Test 4.3.3
Moisture Resistance Test	MIL-STD-202, Method 106E (50 cycles in a temp./mister chamber)
Terminal Strength	MIL-STD-202, Method 211A (Deflection of board 1 mm for 1 minute)
Case Resistance	acc. to EIA/IS-722, Test 4.7 >100 MΩ (between leads and body)
Mechanical Shock	MIL-STD-202, Method 213B (Shock 50gn, half sine wave, 11 ms)
Vibration, High Frequency	MIL-STD-202, Method 204D (Shock 20 gn, 20 min, 10-2 kHz, 12 cyc.)
Resistance to Solvents	MIL-STD-202, Method 215A
Flammability	min. UL 94V-1 (acc. to EIA/IS-722, Test 4.12)

Dimensions

Drilling diagram

Pre-Arcing Time

Rated Current In	1.0 x In min.	2.5 x In min.	2.5 x In max.	10.0 x In max.	10.0 x In max.	4.0 x In max.	10.0 x In min.	10.0 x In max.
0.25 A - 3.15 A	60 min	120 s	400 ms	10 s	150 ms	3 s	20 ms	150 ms

Variants

S = Short Terminals
 L = Long Terminals
 T = Taped and Reeled

Rated Current [A]	Rated Voltage [VAC]	Voltage Drop 1.0 In typ. [mV]	Power Dissipation 1.5 I _n typ. [mW]	Melting I ² t 10.0 Intyp. [A ² s]	GR-1089-CORE [A]	UL60950	ITU - Lightning Surge [A]	ITU - Power Induc-	ITU - Power Contact [A]	S	L	T	Order Number
0.25	250	120	80	0.6	> 14.0		25.3	●	35.0	●			2040.0609
0.315	250	120	100	0.8	> 14.0		29.2	●	35.0	●			2040.0610
0.4	250	110	100	1.1	> 14.0		39.5	●	35.0	●			2040.0611
0.5	250	100	100	2.5	> 14.0		57	●	35.0	●			2040.0612
0.63	250	90	100	4	> 14.0		67	●	35.0	●			2040.0613
0.8	250	80	200	8	> 14.0	●	67	●	35.0	●			2040.0614
1	250	70	200	12	> 14.0	●	67	●	35.0	●			2040.0615
1.25	250	70	300	15	> 14.0	●	67	●	35.0	●			2040.0616
1.6	250	60	300	30	> 14.0	●	67	●	50.0	●			2040.0617
2	250	60	300	34	> 14.0	●	67	●	50.0	●			2040.0618
2.5	250	50	400	55	> 14.0	●	67	●	50.0	●			2040.0619
3.15	250	50	500	76	> 14.0	●	67	●	50.0	●			2040.0620
0.25	250	120	80	0.6	> 14.0		25.3	●	35.0		●		2040.0709
0.315	250	120	100	0.8	> 14.0		29.2	●	35.0		●		2040.0710
0.4	250	110	100	1.1	> 14.0		39.5	●	35.0		●		2040.0711
0.5	250	100	100	2.5	> 14.0		57	●	35.0		●		2040.0712
0.63	250	90	100	4	> 14.0		67	●	35.0		●		2040.0713
0.8	250	80	200	8	> 14.0	●	67	●	35.0		●		2040.0714
1	250	70	200	12	> 14.0	●	67	●	35.0		●		2040.0715
1.25	250	70	300	15	> 14.0	●	67	●	35.0		●		2040.0716
1.6	250	60	300	30	> 14.0	●	67	●	50.0		●		2040.0717
2	250	60	300	34	> 14.0	●	67	●	50.0		●		2040.0718
2.5	250	50	400	55	> 14.0	●	67	●	50.0		●		2040.0719
3.15	250	50	500	76	> 14.0	●	67	●	50.0		●		2040.0720
0.25	250	120	80	0.6	> 14.0		25.3	●	35.0			●	2040.0809
0.315	250	120	100	0.8	> 14.0		29.2	●	35.0			●	2040.0810
0.4	250	110	100	1.1	> 14.0		39.5	●	35.0			●	2040.0811
0.5	250	100	100	2.5	> 14.0		57	●	35.0			●	2040.0812
0.63	250	90	100	4	> 14.0		67	●	35.0			●	2040.0813
0.8	250	80	200	8	> 14.0	●	67	●	35.0			●	2040.0814
1	250	70	200	12	> 14.0	●	67	●	35.0			●	2040.0815
1.25	250	70	300	15	> 14.0	●	67	●	35.0			●	2040.0816
1.6	250	60	300	30	> 14.0	●	67	●	50.0			●	2040.0817
2	250	60	300	34	> 14.0	●	67	●	50.0			●	2040.0819
2.5	250	50	400	55	> 14.0	●	67	●	50.0			●	2040.0819
3.15	250	50	500	76	> 14.0	●	67	●	50.0			●	2040.0820

1) 35 A @ 250 VAC

Packaging Unit S + L = Plastic Bag (100 pcs.)
 T = Taped 36 cm Reel (750 pcs.)

[Kennlinien]

