

MCF06G Series

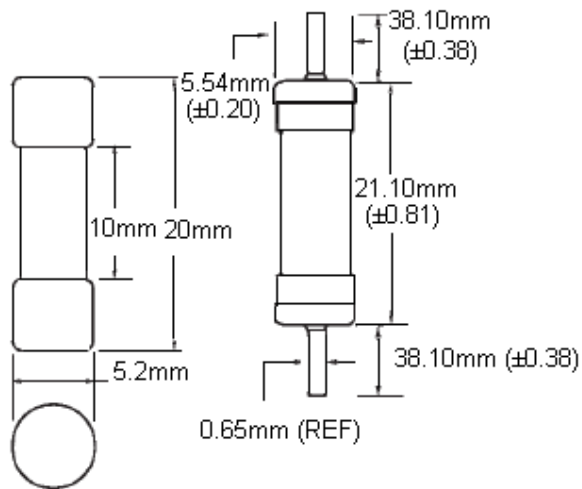
Antisurge (T) Glass Fuses



Features:

- Time delay, low breaking capacity.
- 5mm x 20mm physical size.
- Glass tube, nickel-plated brass endcap construction.
- Optional axial leads are .032" x 1.5" copper tinned.
- Designed to IEC 60127-2 (50mA - 6.3A).

Dimensions



Ratings above 6.3A have a 0.8mm diameter lead

Electrical Characteristics							
In	2.1In	2.75In		4In		10In	
	maximum (Seconds)	minimum (Seconds)	maximum (Seconds)	minimum (Seconds)	maximum (Seconds)	minimum (Seconds)	maximum (Seconds)
32mA - 100mA	120	0.2	10	0.04	3	0.01	0.3
125mA - 6.3A		0.6		0.15		0.02	

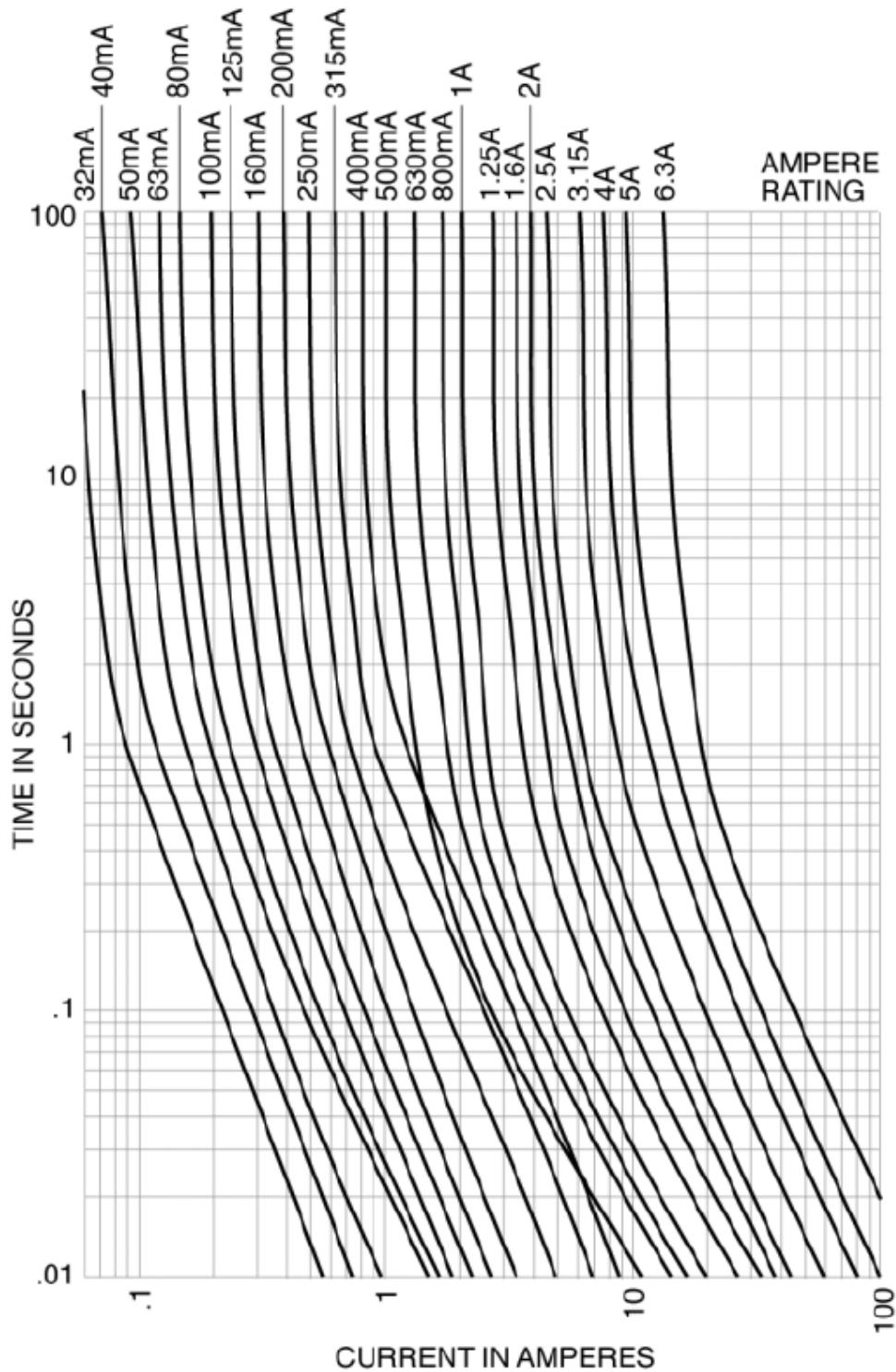


MCF06G Series

Antisurge (T) Glass Fuses



Time - Current Characteristics Curve - Average Melt



MCF06G Series

Antisurge (T) Glass Fuses



Specifications

Voltage Rating (V ac)	Interrupting Rating at Rated Voltage (50Hz) AC (Amps)	Typical DC Cold Resistance (ohms)*	Typical Melting I ² t (A ² Sec) AC**	Typical Voltage Drop (mV)***	Part Number
250	35	0.024	34	80	MCF06G-2.5A
		0.039	10	80	MCF06G-1.6A
		0.0085	270	65	MCF06G-6.3A
		0.0095	133	75	MCF06G-5A
		-	-	-	MCF06G-10A
		0.66	0.17	270	MCF06G-250MA
		1.0	0.078	340	MCF06G-200MA
		1.3	0.052	320	MCF06G-160MA
		2.0	0.034	390	MCF06G-125MA
		2.8	0.022	490	MCF06G-100MA
		4.5	0.015	580	MCF06G-80MA
		7.1	0.012	760	MCF06G-63MA
		9.5	0.006	800	MCF06G-50MA
		0.013	91	75	MCF06G-4A
		21.7	0.0014	1050	MCF06G-32MA
		0.018	56	75	MCF06G-3.15A
		0.37	0.61	210	MCF06G-400MA
		0.27	0.75	168	MCF06G-500MA
		0.19	1.3	158	MCF06G-630MA
		0.13	3.1	132	MCF06G-800MA
		0.064	3.6	85	MCF06G-1A
		0.046	7	80	MCF06G-1.25A
0.029	17	80	MCF06G-2A		
0.46	0.41	250	MCF06G-315MA		
14.2	0.0034	920	MCF06G-40MA		

* DC Cold Resistance (Measured at <10% of rated current).

** Typical Melting I²t (I²t was measured at listed interrupting rating and rated voltage).

*** Maximum Voltage Drop (Voltage drop was measured at 20°C ambient temperature at rated current).



MCF06G Series

Antisurge (T) Glass Fuses



Part Number Explanation

MCF06G

Series

2.5A

Rating

Rating

: 32mA, 40mA, 50mA, 63mA, 80mA, 100mA, 125mA, 160mA, 200mA, 250mA, 315mA, 400mA, 500mA, 630mA, 800mA, 1A, 1.25A, 1.6A, 2A, 2.5A, 3.15A, 5A and 10A.
Where mA = milliampere, A = Ampere.



MCF06G Series

Antisurge (T) Glass Fuses



Notes:

International Sales Offices:

 AUSTRALIA – Farnell InOne Tel No: ++ 61 2 9645 8888 Fax No: ++ 61 2 9644 7898	 FINLAND – Farnell InOne Tel No: ++ 358 9 560 7780 Fax No: ++ 358 9 345 5411	 NETHERLANDS – Farnell InOne Tel No: ++ 31 30 241 7373 Fax No: ++ 31 30 241 7333	 SWITZERLAND – Farnell InOne Tel No: ++ 41 1 204 64 64 Fax No: ++ 41 1 204 64 54
 AUSTRIA – Farnell InOne Tel No: ++ 43 662 2180 680 Fax No: ++ 43 662 2180 670	 FRANCE – Farnell InOne Tel No: ++ 49 89 61 39 39 99 Fax No: ++ 33 474 68 99 90	 NEW ZEALAND – Farnell InOne Tel No: ++ 64 9 357 0646 Fax No: ++ 64 9 357 0656	 UK – Farnell InOne Tel No: ++ 44 8701 200 200 Fax No: ++ 44 8701 200 201
 BELGIUM – Farnell InOne Tel No: ++ 32 3 475 2810 Fax No: ++ 32 3 227 3648	 GERMANY – Farnell InOne Tel No: ++ 49 89 613 59 01 Fax No: ++ 49 89 613 59 01	 NORWAY – Farnell InOne Tel No: ++ 45 44 53 66 66 Fax No: ++ 45 44 53 66 02	 UK – BuckHickman InOne ++ 44 8450 510 150 ++ 44 8450 510 130
 BRAZIL – Farnell-Newark InOne Tel No: ++ 55 11 4066 9400 Fax No: ++ 55 11 4066 9410	 HONG KONG – Farnell-Newark InOne Tel No: ++ 852 2268 9888 Fax No: ++ 852 2268 9899	 PORTUGAL – Farnell InOne Tel No: ++ 34 93 475 8804 Fax No: ++ 34 93 474 5288	 UK – CPC ++ 44 8701 202 530 ++ 44 8701 202 531
 CHINA – Farnell-Newark InOne Tel No: ++86 10 6238 5152 Fax No: ++86 10 6238 5022	 IRELAND – Farnell InOne Tel No: ++ 353 1 830 9277 Fax No: ++ 353 1 830 9016	 SINGAPORE – Farnell-Newark InOne Tel No: ++ 65 6788 0200 Fax No: ++ 65 6788 0300	 EXPORT – Farnell InOne Tel No: ++ 44 8701 200 208 Fax No: ++ 44 8701 200 209
 DENMARK – Farnell InOne Tel No: ++ 45 44 53 66 44 Fax No: ++ 45 44 53 66 06	 ITALY – Farnell InOne Tel No: ++ 39 02 93 995 200 Fax No: ++ 39 02 93 995 300	 SPAIN – Farnell InOne Tel No: ++ 34 93 475 8805 Fax No: ++ 34 93 474 5107	
 ESTONIA – Farnell InOne Tel No: ++ 358 9 560 7780 Fax No: ++ 358 9 345 5411	 MALAYSIA – Farnell-Newark InOne Tel No: ++ 60 3 7873 8000 Fax No: ++ 60 3 7873 7000	 SWEDEN – Farnell InOne Tel No: ++ 46 8 730 50 00 Fax No: ++ 46 8 83 52 62	

For enquiries from all other markets

<http://www.farnellinone.com>
<http://www.buckhickmaninone.com>
<http://www.cpc.co.uk>

Disclaimer This data sheet and its contents (the "Information") belong to the Premier Farnell Group (the "Group") or are licensed to it. No licence is granted for the use of it other than for information purposes in connection with the products to which it relates. No licence of any intellectual property rights is granted. The Information is subject to change without notice and replaces all data sheets previously supplied. The Information supplied is believed to be accurate but the Group assumes no responsibility for its accuracy or completeness, any error in or omission from it or for any use made of it. Users of this data sheet should check for themselves the Information and the suitability of the products for their purpose and not make any assumptions based on information included or omitted. Liability for loss or damage resulting from any reliance on the Information or use of it (including liability resulting from negligence or where the Group was aware of the possibility of such loss or damage arising) is excluded. This will not operate to limit or restrict the Group's liability for death or personal injury resulting from its negligence. Multicomp is the registered trademark of the Group. © Premier Farnell plc 2004.

