



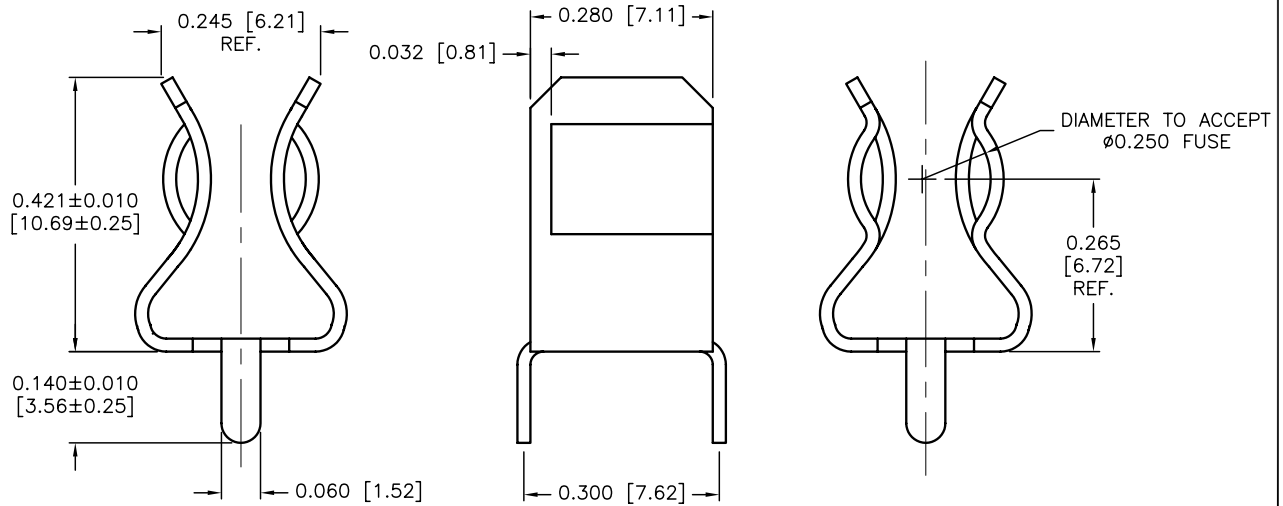
ALL RIGHTS RESERVED. NO PORTION OF THIS PUBLICATION, WHETHER IN WHOLE OR IN PART CAN BE REPRODUCED WITHOUT THE EXPRESS WRITTEN CONSENT OF SPC TECHNOLOGY.

SPC-F005.DWG

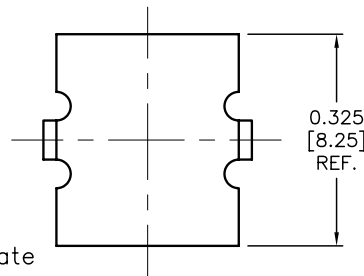
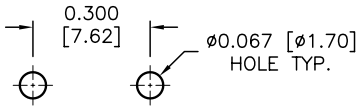
REVISIONS

DOC. NO. SPC-F005 \* Effective: 7/8/02 \* DCP No: 1398

| DCP # | REV | DESCRIPTION              | DRAWN | DATE    | CHECKD | DATE    | APPRVD | DATE    |
|-------|-----|--------------------------|-------|---------|--------|---------|--------|---------|
| 1052  | A   | RELEASED                 | HO    | 10/2/02 | JWM    | 10/3/02 | DJC    | 10/3/02 |
| 1892  | B   | Update To RoHS Compliant | EO    | 3/14/06 | HO     | 3/15/06 | HO     | 3/15/06 |



MOUNTING DETAIL



Material: 0.020 [0.50] Thick Brass, Tin Plate

DISCLAIMER:  
ALL STATEMENTS AND TECHNICAL INFORMATION CONTAINED HEREIN ARE BASED UPON INFORMATION AND/OR TESTS WE BELIEVE TO BE ACCURATE AND RELIABLE. SINCE CONDITIONS OF USE ARE BEYOND OUR CONTROL, THE USER SHALL DETERMINE THE SUITABILITY OF THE PRODUCT FOR THE INTENDED USE AND ASSUME ALL RISK AND LIABILITY WHATSOEVER IN CONNECTION THEREWITH.

TOLERANCES:  
Tolerances Unless  
Otherwise Specified  
Decimal  
±0.005 [±0.15]  
Angular ±1°

|               |         |
|---------------|---------|
| DRAWN BY:     | DATE:   |
| HISHAM ODISH  | 10/2/02 |
| CHECKED BY:   | DATE:   |
| JEFF MCVICKER | 10/3/02 |
| APPROVED BY:  | DATE:   |
| DANIEL CAREY  | 10/3/02 |

|  |                     |                 |     |
|--|---------------------|-----------------|-----|
| DRAWING TITLE:<br>PC BOARD FUSE CLIP, FOR 3AG FUSE WITH END STOP |                     |                 |     |
| SIZE   | DWG. NO.            | ELECTRONIC FILE | REV |
| A  | SPC11136            | 32C2113.DWG     | B   |
| SCALE: NTS   | U.O.M.: INCHES [mm] | SHEET: 1 OF 1   |     |