

# Class J Fuse Holders - 600 Volt

## Specifications:

- Have Been Tested & Approved for 200,000 Amp Withstand Rating
- Patented Cool-Clip® Design
- UL Listed File No. IZLT.E35113
- CSA Certified File No. LR21455
- CE



### 30 & 60 Amp:

- Clip, Copper Alloy, Tin Plated

### 30 Amp:

- Integral DIN Rail Mount
- Expander Block

### 100 Amp:

- Clip, Copper Alloy, Tin Plated
- 1-pole molding incorporates a dovetail feature for ganging multiple poles

### 200 Amp:

- Connector, One Piece Aluminum, Tin Plated (optional one piece copper, nickel plated add "CU") - consult factory
- FBD, Fuse Bolt-Down Construction

### 400 and 600 Amp:

- Connector, One Piece Aluminum, Tin Plated (optional one piece copper, nickel plated add "CU") - consult factory
- FBD, Fuse Bolt-Down Construction

## Catalog #:

Std.	Reinforced	Poles	Amp	Base Materials	Wire Range	Fuse Size	Fuses	
6J30A1S	R6J30A1S	1	30	Thermoplastic	#10-#22 AWG CU	13/16" DIA BY 2 1/4"	A4J AJT JKS JLS JTD JTD_ID LPJ	
6J30A2S	R6J30A2S	2						
6J30A3S	R6J30A3S	3						
6J30AES	R6J30AES	Expander						
6J30A1SP	R6J30A1SP	1			#10-#14 AWG CU			
6J30A2SP	R6J30A2SP	2						
6J30A3SP	R6J30A3SP	3						
6J30AESP	R6J30AESP	Expander						
6J30A1B	R6J30A1B	1			60			#6-#14 AWG CU
6J30A2B	R6J30A2B	2						
6J30A3B	R6J30A3B	3						
6J30AEB	R6J30AEB	Expander						
6J60A1B	R6J60A1B	1	60	#2-#14 AWG CU AL	1 1/16" DIA BY 2 3/8"			
6J60A2B	R6J60A2B	2						
6J60A3B	R6J60A3B	3						
R6J100A1B	SAME	1	100	Phenolic	#2/0-#14 AWG CU	1 1/8" DIA BY 4 5/8"		
R6J100A3B		3			#2/0-#12 AWG AL			
6J200A1BFBD		1	200		250 kcmil -	1 5/8" DIA BY 5 3/4"		
6J200A3BFBD		3			#6 AWG CU AL			
6J400A1BFBD		1	400		(1) 350 kcmil -	2 1/8" DIA BY 7 1/8"		
6J400A3BFBD		3			#6 AWG CU AL (1) 600 kcmil - #2 AWG CU AL			
6J600A1BFBD		1	600		(2) 500 kcmil -	2 5/8" DIA BY 8"		
6J600A3BFBD		3			#4 AWG CU AL			

Contact Factory for Stud Options - see pages 30-32 for dimensional information  
 Fuse Mounting hardware supplied with fuse holder.  
 See page 37 for available covers

# Class J, G, M, CC Fuse Holder Dimensions

		Figure	A	B	C	D	E	F	G	H	I	J	K	L	M	EXPANDER
6J30A R6J30A	1 POLE 2 POLE 3 POLE	FIG 1	3.38	1.16 2.20 3.25	1.95	1.69	1.04	0.30	0.57	.22 X .79 SLOT	N/A	N/A	N/A	N/A	0.24	YES
6J60A R6J60A	1 POLE 2 POLE 3 POLE	FIG 3														
R6J100A	1 POLE 3 POLE	FIG 6														
6J200A	1 POLE 3 POLE	FIG 2														
6M30A 6CC30A G15A G20A G30A	1 POLE 2 POLE 3 POLE	FIG 1	3.13	0.85 1.60 2.35	1.29	1.56	0.75	0.24	0.38	.18 X .59 SLOT	N/A	N/A	N/A	N/A	0.09	NO
R6CC60A	1 POLE 2 POLE 3 POLE	FIG 1	3.35	1.11 2.12 3.12	1.89	1.68	1.01	0.27	0.57	.18 X .74 SLOT	N/A	N/A	N/A	N/A	0.09	YES
6J400A	1 POLE 3 POLE	FIG 4														
6J600A	1 POLE 3 POLE	FIG 5														

MM = Dim X 25.4

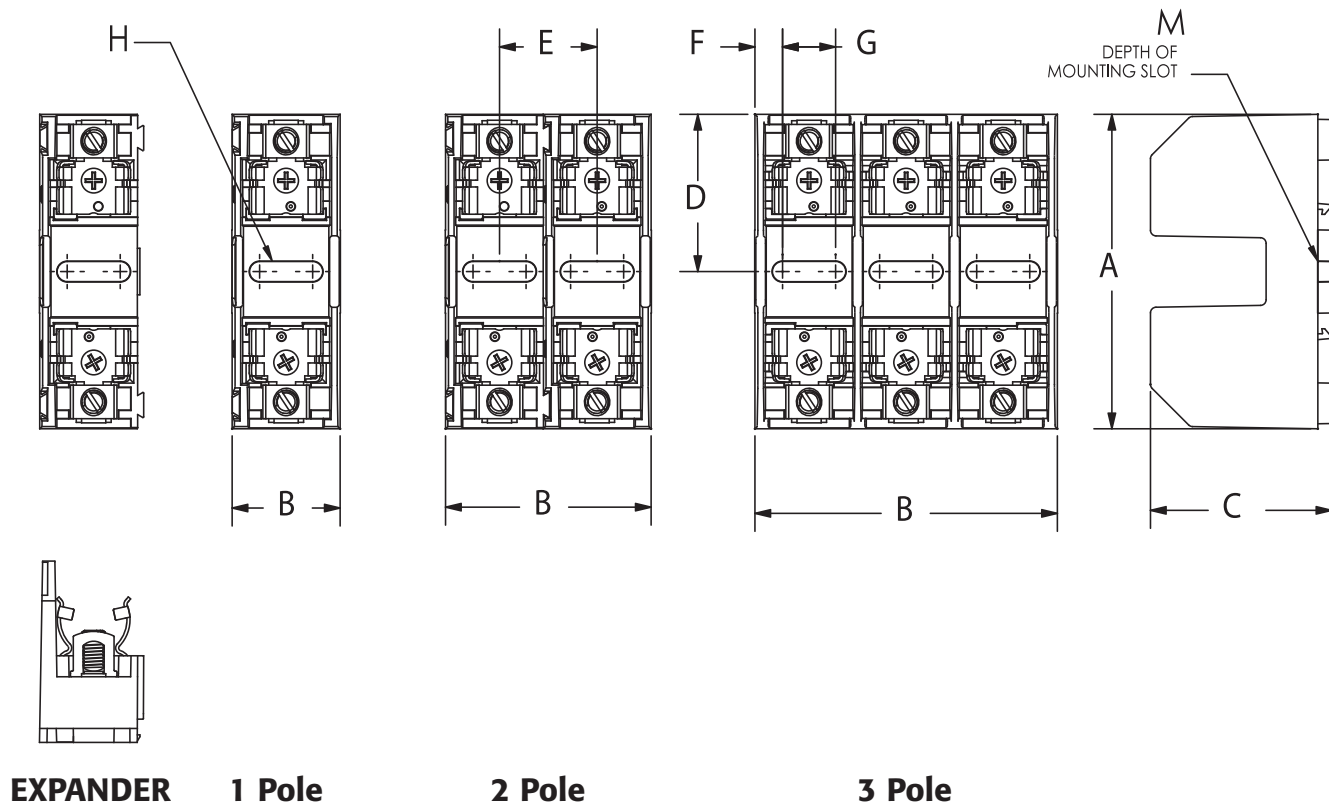


Figure 1:

# Class J Fuse Holder Dimensions

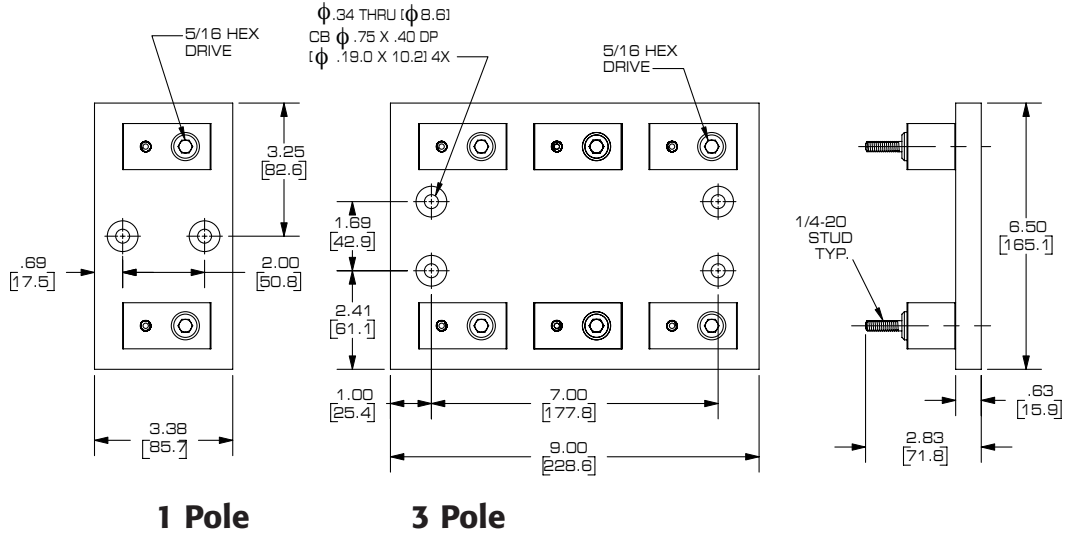


Figure 2:

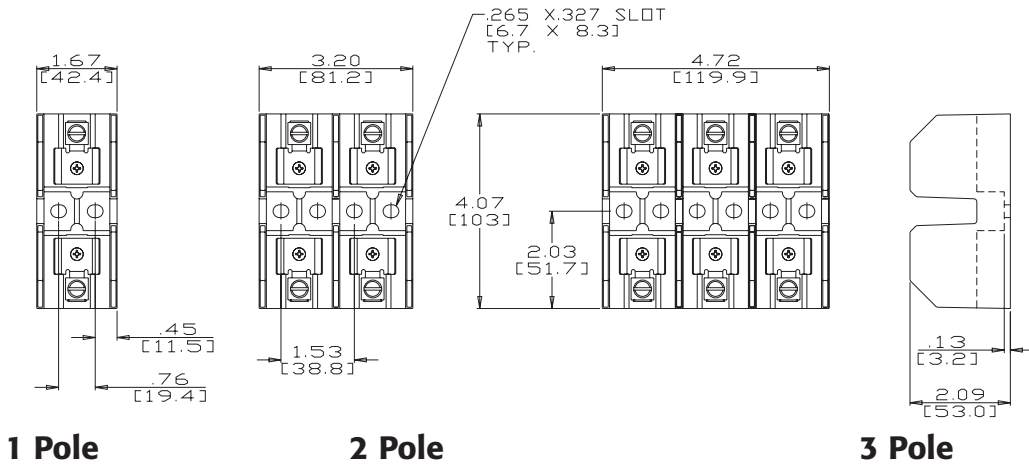


Figure 3:

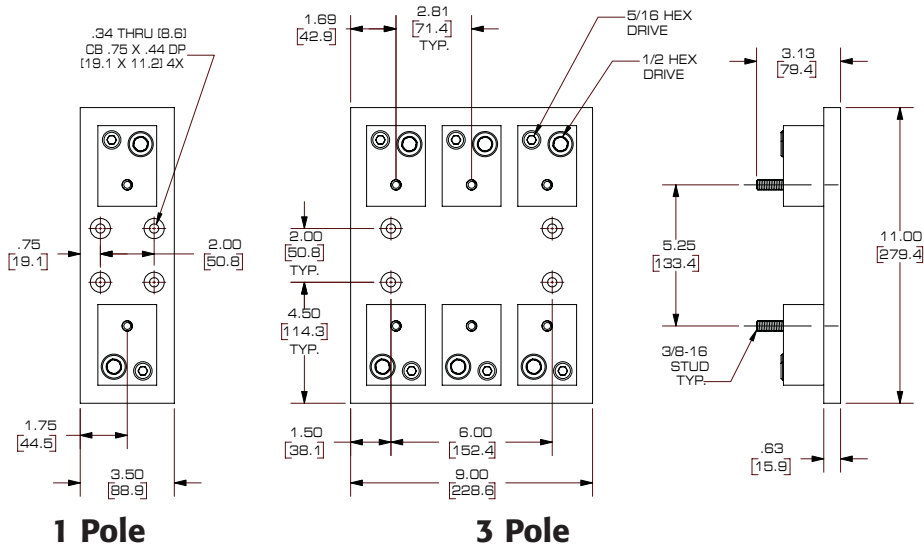


Figure 4:

# Class J Fuse Holder Dimensions

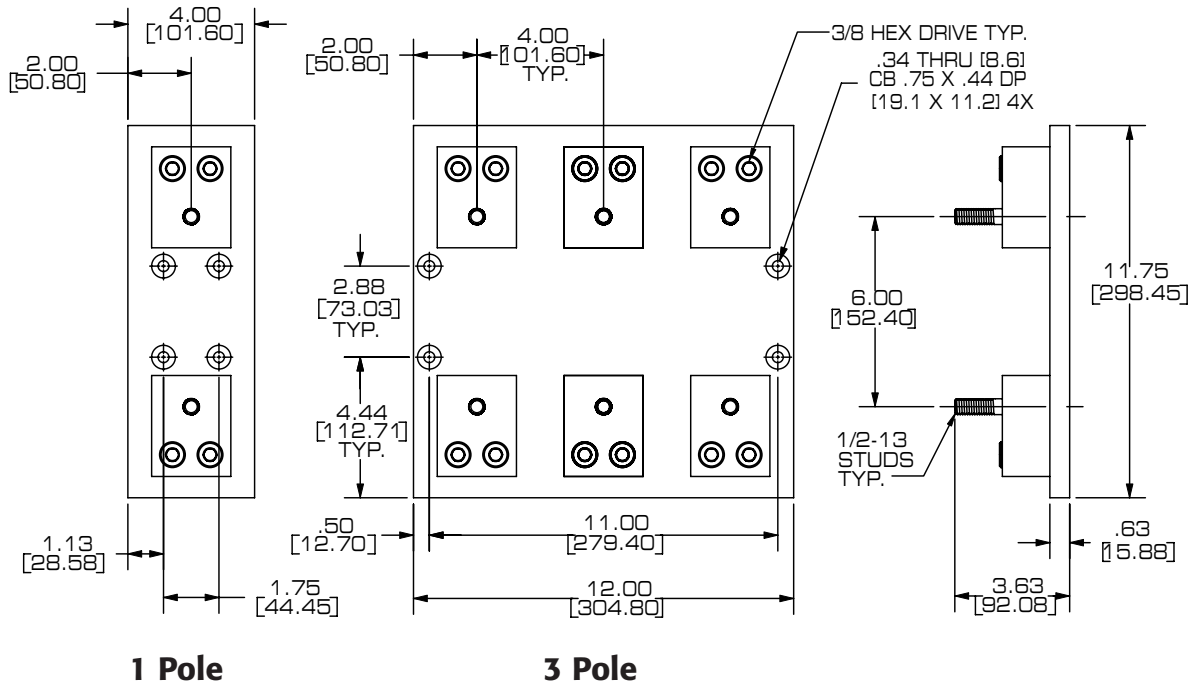


Figure 5:

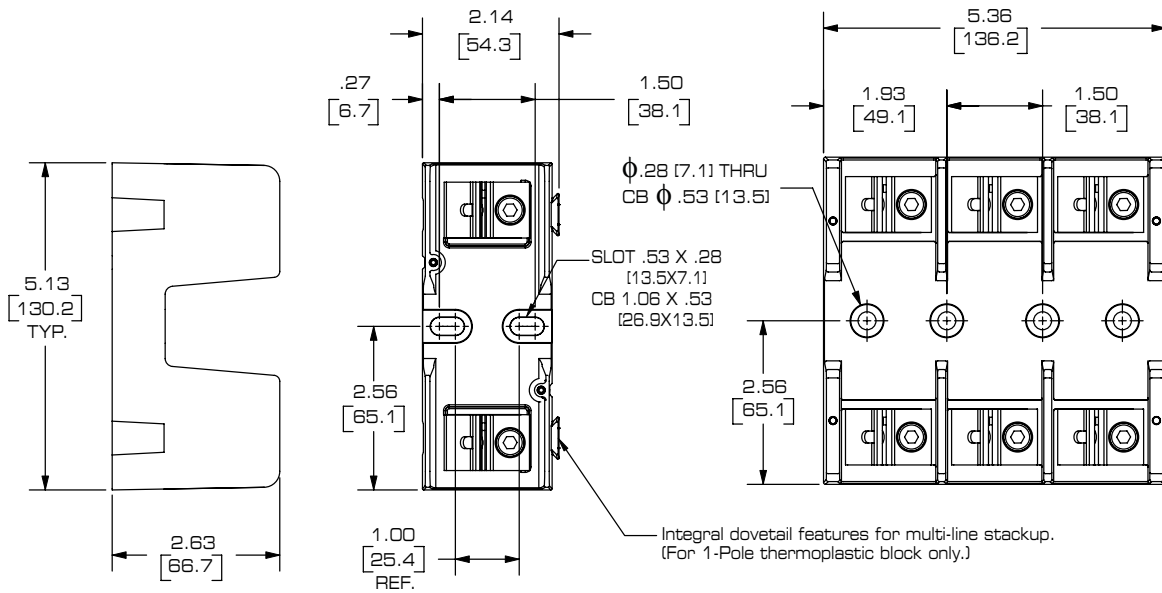


Figure 6:

# Fuse Holder Covers

## Specifications:

- Material, Thermoplastic
- Thermal Rating, 125°C (RTI, per UL 746)
- Flammability, VO (per UL 94)
- UL Listed Accessories Under File No. JDVS2.E181825
- In Application, Protection is Consistent With IEC Standard 529, Designation IP20 (finger safe)\* - except CJ6100-1, CJ6100-2 and CJ6100-3
- Opening Allows View of Self-Indicating Fuses
- Holes for Test Probes and Re-tightening of Wire Terminations
- Covers Fit Most Fuse Holder Brands



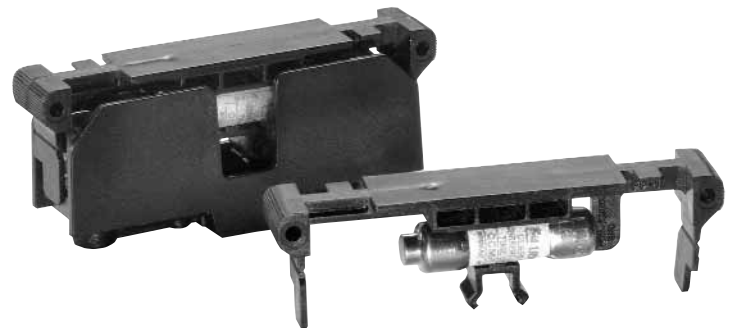
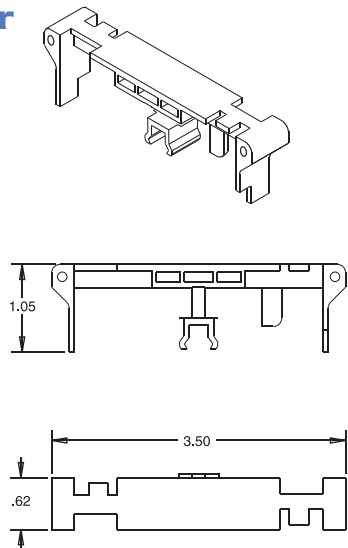
Catalog#:	For Use W/Fuse Holder#:	Fuse Type:	Voltage:	Amp:
CHR230	F30A/R30A	H/R	250	30
CHR260	F60A/R60A	H/R	250	60
CHR2100	RF100A/R100A	H/R	250	100
CHR630	6F30A/6R30A	H/R	600	30
CHR660	6F60A/6R60A	H/R	600	60
CHR6100	R6F100A/6R100A	H/R	600	100
CJ630	6J30A	J	600	30
CJ660	6J60A	J	600	60
CC630	6CC30A	CC	600	30
CC660	R6CC60A	CD	600	60
CCM630**	6M30A/6CCM30A	MISC	600	30
CJ6100 - XC (1,2 or 3)	6J100A	J	600	100

See page 38 for dimensional information.

\* Applications involving fuse holders other than Marathon may not provide IP20 finger protection.

\*\* Covers are recognized if used with recognized fuses.

## Cover/Puller (CVR-MCC)



Marathon's Cover/Puller was designed for use with the Class CC (30 Amp), Midget and Class G (15 & 20 amp only) fuse holders. Once installed, the Cover/Puller provides an easy and safe way to remove fuses. In application, protection is consistent with IEC Standard 529, designation IP20 (finger safe).

# Fuse Holder Covers

Catalog Name	Figure	A	B	C	D	E	F
CHR230	FIG 1	3.76	1.67	0.86	2.54	0.40	0.30
CHR260	FIG 1	5.80	2.16	1.07	3.66	0.47	0.42
CHR2100	FIG 2	7.38	2.41	1.49	4.90	0.38	0.46
CHR630	FIG 1	7.56	1.71	1.10	5.58	0.47	0.42
CHR660	FIG 1	8.30	2.37	1.35	6.32	0.35	0.42
CHR6100	FIG 2	9.34	2.45	1.49	6.90	0.38	0.46
CJ630	FIG 1	4.30	1.95	0.90	2.66	0.35	0.30
CJ660	FIG 1	5.04	2.07	1.35	3.10	0.35	0.42
CC630	FIG 3	3.83	1.69	0.74	2.34	0.34	0.30
CC660	FIG 1	4.58	1.95	0.90	2.66	0.35	0.42
CCM630	FIG 3	3.83	1.69	0.74	2.34	0.34	0.30
CJ6100-1C	FIG 4	1.94	1.38				
CJ6100-2C	FIG 4	3.94	3.38				
CJ6100-3C	FIG 4	5.22	4.66				

(2 mounting screws supplied)  
 (2 mounting screws supplied)  
 (4 mounting screws supplied)

MM = Dim X 25.4

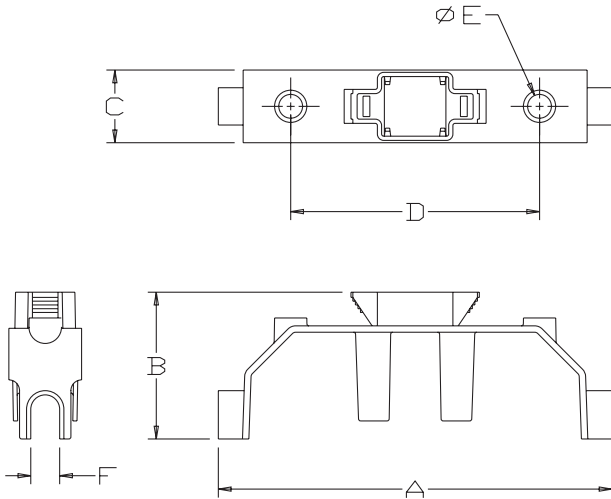


Figure 1:

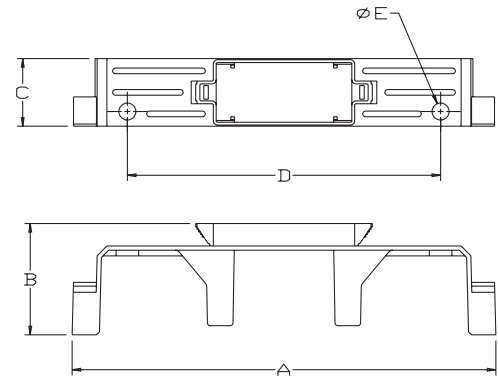


Figure 3:

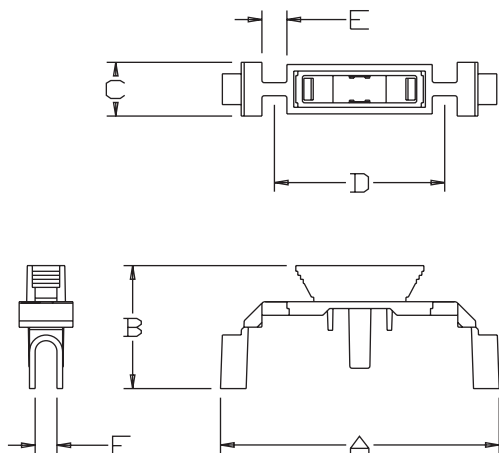


Figure 2:

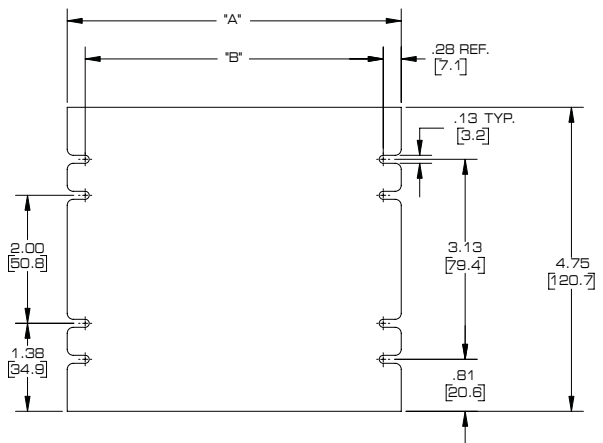


Figure 4: