

SBE Accessories (For Group 1 & 2 voltage configurations only)

FBP: Field installed primary fuse holder kit designed to accommodate two Class “CC” rejection type fuses. Finger safe covers not available.

FB2: Field installed secondary fuse holder kit designed to accommodate one Glass or Ceramic, ¼” x 1¼” fuse.

SBEDIN: Field installed IEC Fuse Holder Adaptor Kit

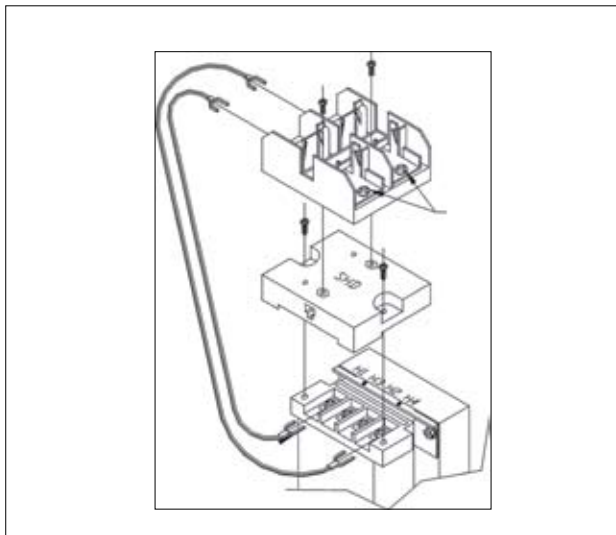
See the Technical Notes section for recommended fuse sizes.

FBPC1: Field installed primary fuse holder designed to accommodate two Class “CC” rejection type fuses with Primary and Secondary Finger Safe Covers Kit.

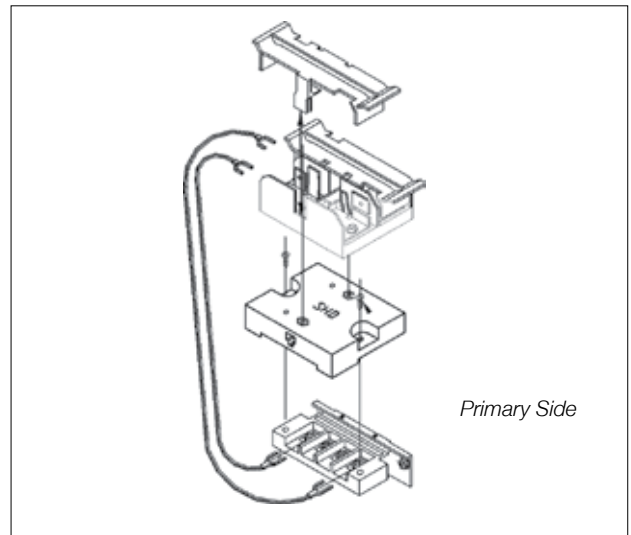
FB2X: Field installed secondary fuse holder designed to accommodate one 13/32” x 1½” (Midget type) cartridge fuse (included with applicable transformer purchase only).

IP20: Field installed Primary and Secondary IEC Touch Proof Cover Kit.

FBP Fuse Block - Primary Side



FBPC1 Fuse Block and Finger Safe Cover Kit



FBPC1 Secondary Cover - For use with either FB2X or FB2 options.

