

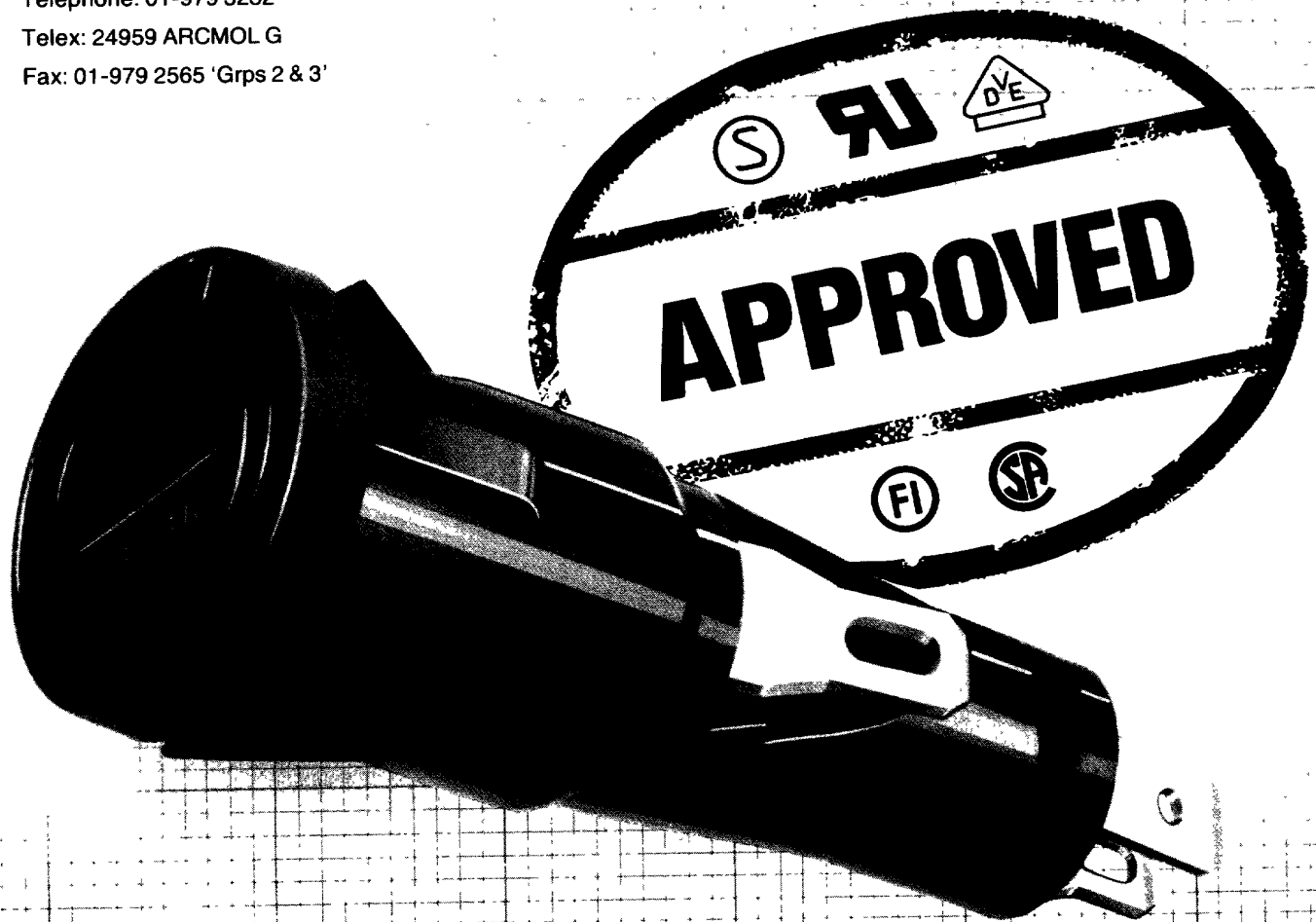
# Arcoelectric

ARCOELECTRIC SWITCHES p.l.c.  
CENTRAL AVENUE · EAST MOLESEY  
SURREY · ENGLAND · KT8 0RF

Telephone: 01-979 3232

Telex: 24959 ARCMOL G


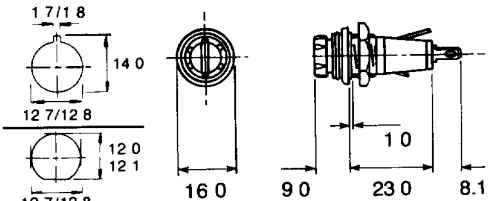


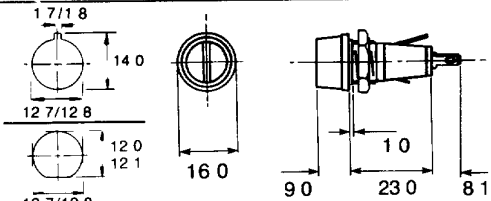
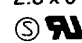

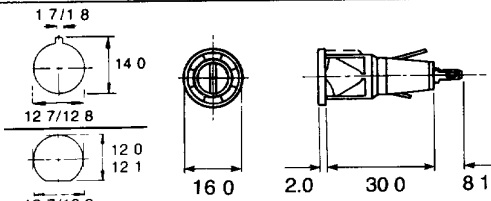
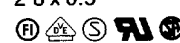
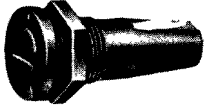
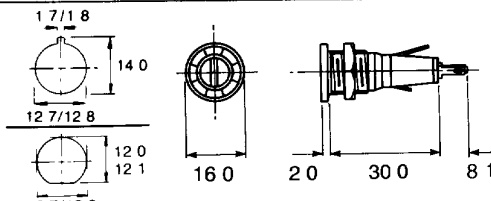
Fax: 01-979 2565 'Grps 2 & 3'



# Circuit Protection

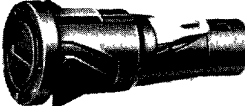
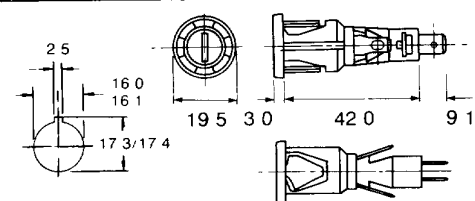


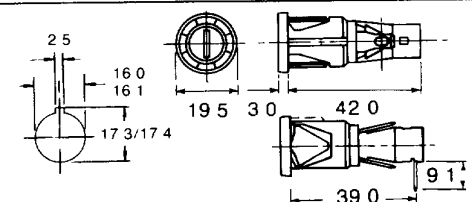



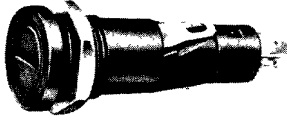
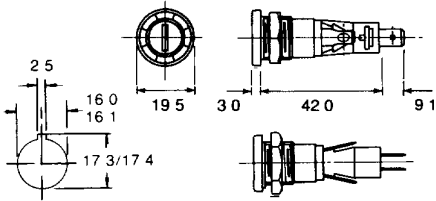

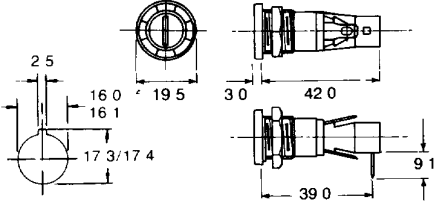

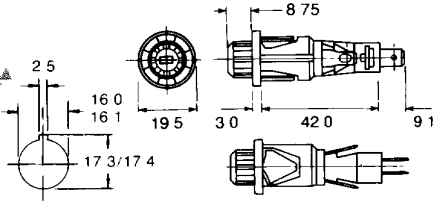

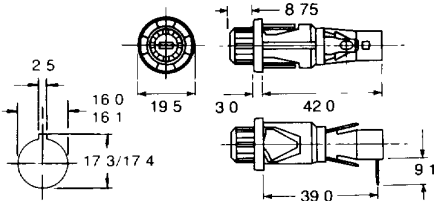

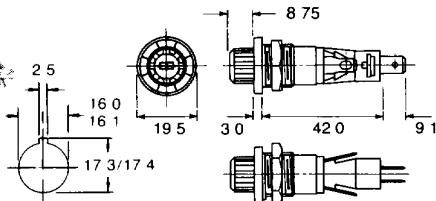

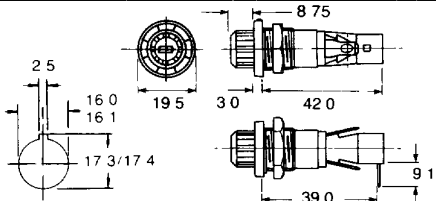
PUBLICATION No. 50

Ordering reference	Panel Cut-Out and Dimensions	
<b>B 0332 RA</b>  <b>B 0332 RD</b>		<b>Panel thickness:</b> Max 4.50 mm. min 0.8 mm. <b>Cap type:</b> Finger release, screw in <b>Mounting method:</b> Nut fixing <b>Termination:</b> Combination solder tab, 2.8 x 0.5 <b>Approvals:</b> 
<b>B 0333 RA</b>  <b>B 0333 RD</b>		<b>Panel thickness:</b> Max 4.50 mm. min 0.8 mm <b>Cap type:</b> Tool release, screw in <b>Mounting method:</b> Nut fixing <b>Termination:</b> Combination solder tab, 2.8 x 0.5 <b>Approvals:</b>  (FI submitted)
<b>B 0340 RA</b>  <b>B 0340 RD</b>		<b>Panel thickness:</b> Max: 2.00 mm min: 0.8 mm <b>Cap type:</b> Tool release, screw in <b>Mounting method:</b> Snap in <b>Termination:</b> Combination solder tab, 2.8 x 0.5 <b>Approvals:</b> 
<b>B 0341 RA</b>  <b>B 0341 RD</b>		<b>Panel thickness:</b> Max 4.50 mm min: 0.8 mm. <b>Cap type:</b> Tool release, screw in <b>Mounting method:</b> Nut fixing <b>Termination:</b> Combination solder tab, 2.8 x 0.5 <b>Approvals:</b> (CSA, Semko FI, UL submitted)

A versatile range of panel mounting fuseholders featuring body styles to suit D shape (suffix D) or keyed (suffix A) mounting holes. Nut fixing, or snap in for ease of assembly and finger or tool release caps (to the requirements of I E C 257) provide a comprehensive range of options. Full approval details on request.

<b>Current rating:</b> 6.3 A	<b>Materials:</b> Moulding Nylon 66 (flame retardant)
<b>Breakdown voltage (d.c.):</b> >4 kV	Terminal Brass, silver plated
<b>Temperature range:</b> -55°C to +70°C (ambient)	Contacts: Copper alloy
<b>Contact resistance:</b> 5 milliohms (average)	
<b>Insulation resistance:</b> >100 megohms	<b>Fixing torque (where applicable):</b> 1.0 Nm 8.91 lb/in
<b>Flammability rating:</b> UL 94 V2	<b>Humidity rating:</b> To the requirements of IEC257

Ordering reference:	Panel Cut-Out and Dimensions	
 <b>T 0345 RA</b>		<b>Panel thickness:</b> Max 2.00 mm min. 0.8 mm <b>Cap type:</b> Tool release, screw in <b>Mounting method:</b> Snap in <b>Termination:</b> Combination solder tab, 4.8/6.3 <b>Approvals:</b>  (VDE submitted)
 <b>T 0346 RA</b>		<b>Panel thickness:</b> Max 2.00 mm min. 0.8 mm <b>Cap type:</b> Tool release, screw in <b>Mounting method:</b> Snap in <b>Termination:</b> Combination solder tab, 4.8 <b>Approvals:</b>  (VDE submitted)

Ordering reference	Panel Cut-Out and Dimensions	
 <p><b>T 0347 RA</b></p>		<p><b>Panel thickness:</b> Max. 4.50 mm. min 0.8 mm</p> <p><b>Cap type:</b> Tool release, screw in</p> <p><b>Mounting method:</b> Nut fixing</p> <p><b>Termination:</b> Combination solder tab, 4.8/6.3</p> <p><b>Approvals:</b> (CSA, Semko, FI, UL submitted)</p>
 <p><b>T 0348 RA</b></p>		<p><b>Panel thickness:</b> Max: 4.50 mm. min 0.8 mm</p> <p><b>Cap type:</b> Tool release, screw in</p> <p><b>Mounting method:</b> Nut fixing</p> <p><b>Termination:</b> Combination solder tab, 4.8</p> <p><b>Approvals:</b> (CSA, Semko, FI, UL submitted)</p>
 <p><b>T 0345 SA</b></p>		<p><b>Panel thickness:</b> Max 2.00 mm min 0.8 mm.</p> <p><b>Cap type:</b> Finger release, screw in</p> <p><b>Mounting method:</b> Snap in</p> <p><b>Termination:</b> Combination solder tab, 4.8/6.3</p> <p><b>Approvals:</b> (CSA, UL submitted)</p>
 <p><b>T 0346 SA</b></p>		<p><b>Panel thickness:</b> Max 2.00 mm min: 0.8 mm</p> <p><b>Cap type:</b> Finger release, screw in</p> <p><b>Mounting method:</b> Snap in</p> <p><b>Termination:</b> Combination solder tab, 4.8</p> <p><b>Approvals:</b> (CSA, UL submitted)</p>
 <p><b>T 0347 SA</b></p>		<p><b>Panel thickness:</b> Max: 4.50 mm min 0.8 mm</p> <p><b>Cap type:</b> Finger release, screw in</p> <p><b>Mounting method:</b> Nut fixing</p> <p><b>Termination:</b> Combination solder tab, 4.8/6.3</p> <p><b>Approvals:</b> (CSA, UL submitted)</p>
 <p><b>T 0348 SA</b></p>		<p><b>Panel thickness:</b> Max 4.50 mm. min: 0.8 mm</p> <p><b>Cap type:</b> Finger release, screw in</p> <p><b>Mounting method:</b> Nut fixing</p> <p><b>Termination:</b> Combination solder tab, 4.8</p> <p><b>Approvals:</b> (CSA, UL submitted)</p>

A range of 1 1/4" x 1/4" panel mounting fuse holders for snap in or nut fixing, with finger or tool release caps (to the requirements of IEC257) The unique terminal design of types 0345 and 0347 means a single assembly has 6.3 tabs and 4.8 combination solder tabs as standard. Types 0346 and 0348 have 4.8 combination solder tabs, with the further option of 6.3 tabs (change prefix "T" to "C" for quantity order. Additional versions to suit a D shape hole (Change suffix "A" to "D") are also available for quantity order. Full approval details on request

<b>Current rating:</b>	16A	<b>Materials:</b>	Moulding: Nylon 66 (flame retardant)
<b>Breakdown voltage (d.c.):</b>	>4 kV		Terminal: Brass, silver plated
<b>Temperature range:</b>	-55°C to +70°C (ambient)		Contacts: Copper alloy
<b>Contact resistance:</b>	5 milliohms (average)	<b>Fixing torque (where applicable)</b>	1.0 Nm 8.91 lb/in
<b>Insulation resistance:</b>	>100 megohms	<b>Humidity rating:</b>	To the requirements of IEC257
<b>Flammability rating:</b>	UL 94 V2		