



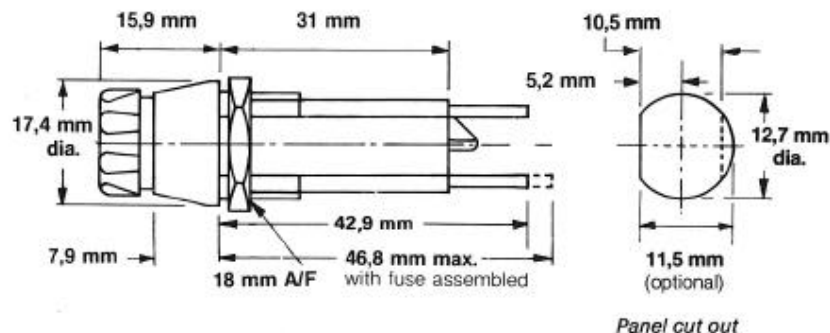
L1744A PANEL FUSEHOLDER BAYONET LOCKING



Design facilitates use for size 0 fuse links. A slim, robust panel fuseholder for 32mm x 6.3mm fuselinks with bayonet locking cap and a special internal insulation barrier designed to give it superior breakdown voltage performance. It accepts 6.3mm x 0.81mm solderless snap-on connectors.

A rubber washer is supplied under the cap and under the flange. Mounting on the panel is through a single hole shaped to engage the anti-swivel flats on the fuseholder.

CURRENT RATING:	10A (temperature rise to 40 °C)
TEMPERATURE RANGE:	-55 °C to +70 °C (ambient)
BREAKDOWN VOLTAGE (AC):	>4kV
INSERTION RESISTANCE	5 milliohms (average)
INSULATION RESISTANCE	100 megohms
PANEL THICKNESS (MAX):	7.9mm
FIXING TORQUE:	1.0 Nm
HUMIDITY:	21 days (BS2011 – IEC 68-1)
MATERIAL:	Mouldings, phenolic Contacts, brass, silver plated
APPROVALS:	UL
ORDERING REFERENCE:	L1744A



BLP reserve the right to change without prior notice the information contained within this leaflet

BLP Components Ltd., Exning Road, Newmarket, Suffolk, CB8 0AX, England
Tel: +44 (0)1638 665161 Fax: +44 (0)1638 660718 email: sales@blpcomp.com <http://www.blpcomp.com>