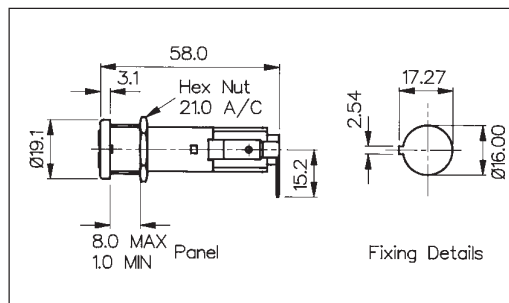


Panel Mounting and Snap Fit Touchproof® PC2



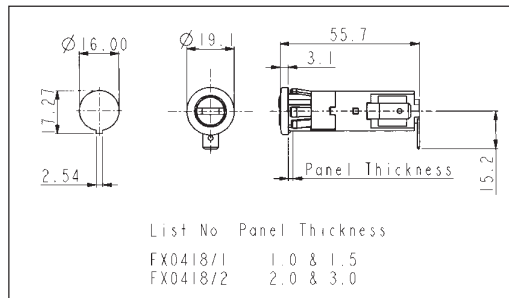
FX0417

- Panel Mount
- Touchproof Category PC2
- Fuse Size 6.3 x 32mm
- Screw Cap/Screwdriver Release
- 16A, 250V (20A, 250V UL)



FX0418

- Snap Fit to Panel
- Panel Sizes 1.0 & 1.5 and 2.0 & 3.0mm
- Touchproof Category PC2
- Fuse Size 6.3 x 32mm
- Screw Cap/Screwdriver Release
- 16A, 250V (pending)



Specification	FX0417	FX0418
Fuse Size:	6.3 x 32mm	6.3 x 32mm
Fuse Carrier:	Screw cap/Screwdriver release	Screw cap/Screwdriver release
Terminations:	6.3 series tabs	6.3 series tabs
Max. Rating:	16A, 250V	16A, 250V
Max. Power Dissipation:	4W (@ 23°C)	4W (@ 23°C)
Insulation Resistance:	> 10 ⁶ MΩ @ 500V d.c.	> 10MΩ @ 500V d.c.
A.C. Breakdown:	> 2kV	> 2kV
Contact Resistance:	< 10mΩ	< 10mΩ
Mouldings:		
Body:	Glass Filled Polyester UL94V-0 rated	Glass Filled Polyester UL94V-0 rated
Cap:	Nylon UL94V-0 rated	Nylon UL94V-0 rated
Contacts:	Brass, Silver Plated	Brass, Silver Plated
Approvals:	 *pending	 all pending