

# Panel-Mount—Indicating Fuseholder

## For ¼" × 1¼" Fuses

# HK Series



Catalog Symbol: HKL, HKR, HKT, HKU, and HKX

### Panel-Mount—Indicating

**Ampere Rating:** 15 and 20A

**Temperature Rating (RTI):** 130°C

### Agency Information:

\*UL Recognized, Guide IZLT2, File E14853

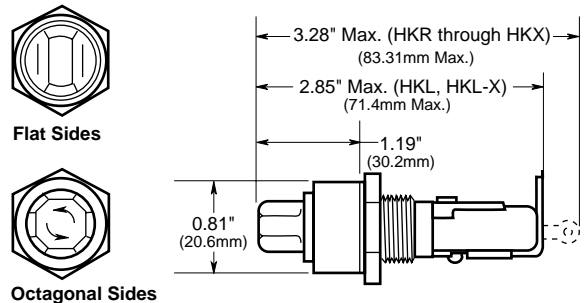
\*CSA Certified, Class 6225-01, File 47235

### Electrical Ratings

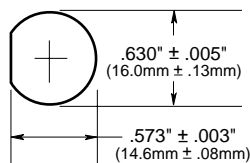
Catalog Symbol	Amps	Lamp		Knob Color	Knob Type
		Volts AC	Type		
HKL *	15	90-250	Neon	Clear	Octagon
HKL-X *	15	90-250	Neon	Clear	Flat Sided
HKR	20	22-30	Incandescent	Amber	Octagon
HKT	20	13-22	Incandescent	Amber	Octagon
HKU	20	4-6	Incandescent	Red	Octagon
HKX	20	22-33	Incandescent	Amber	Flat Sided

CE logo denotes compliance with European Union Low Voltage Directive (50-1000Vac, 75-1500Vdc). Refer to Data Sheet: 8002 or contact Bussmann Application Engineering at 314-527-1270 for more information.

### Dimensional Data



### Punched Mounting Hole



### General Information:

- For panels up to 3/16" (4.8mm) thick.
- Vibration resistant.
- For ¼" × 1¼" fuses.
- Light comes on when fuse opens.
- Steel nut – 9351.
- Neoprene washer – 6276.
- Line connection is the back terminal.
- Do not put tension on line (rear) terminal.

The only controlled copy of this Data Sheet is the electronic read-only version located on the Bussmann Network Drive. All other copies of this document are by definition uncontrolled. This bulletin is intended to clearly present comprehensive product data and provide technical information that will help the end user with design applications. Bussmann reserves the right, without notice, to change design or construction of any products and to discontinue or limit distribution of any products. Bussmann also reserves the right to change or update, without notice, any technical information contained in this bulletin. Once a product has been selected, it should be tested by the user in all possible applications.