

3AG RIVET TYPE FUSE HOLDERS

- Available in Flame Retardant fiberglass base or Phenolic base
- Fuse clips riveted to .125 (3.2) thick base for rugged applications

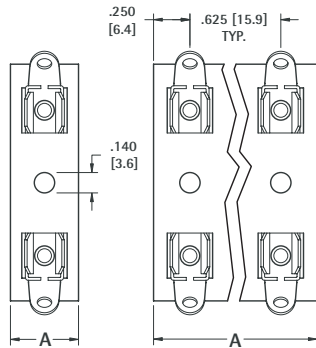
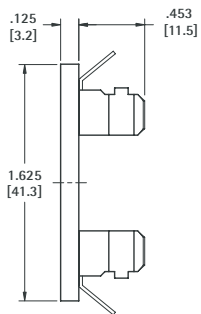


FIG. 1

FIG. 2

SPECIFICATIONS

Black Phenolic Base: .125 (3.2) thick NEMA Grade XP & FED L-P-509. Max. operating temperature 266°F (130°C) continuous. UL Rated 94-HB

Fiberglass Base: .125 (3.2) thick NEMA Grade GPO 3. Max. operating temperature 300°F (148°C) continuous. UL Rated 94V-0, Flame Retardant

Clips: Brass, Nickel Plate (Cat. No. 3535)

Rated: 15 Amps @ 500V AC

BLACK PHENOLIC CAT. NO.	FIBER-GLASS CAT. NO.	HOLDS NO. OF FUSES	FIG. NO.	A
3536	3540	1	1	.500 (12.7)
3537	3541	2	2	1.125 (28.6)
3538	3542	3	2	1.750 (44.5)
3539	3543	4	2	2.375 (60.3)

MOLDED 3AG FUSE HOLDERS

- Quick-Fit Tab, .250 (6.4) × .032 (.81) size, accepts standard .250 (6.4) quick-fit female terminals. Eliminates the need for soldering
- Available with solder lugs or .250 (6.4) Quick-Fit Tabs
- Molded with barriers to prevent and withstand test of 1080 VRMS at 60Hz for 1 minute at 3000V DC
- Flame Retardant

SPECIFICATIONS

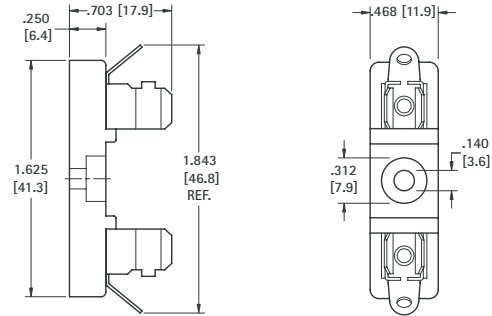
Molded Base: LCP, UL Rated 94V-0.

Clips: Brass, Nickel Plate

Rated: 15 Amps @ 500V AC



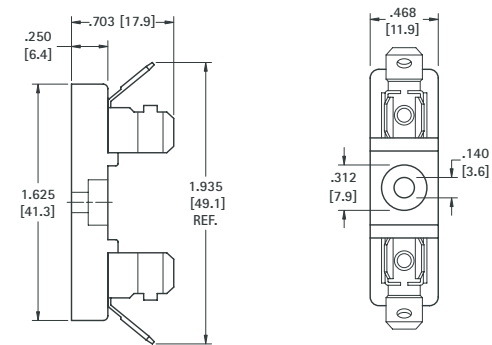
SOLDER LUG



Assembled with Clip, Cat. No. 3535

CAT. NO. 3523

QUICK-FIT



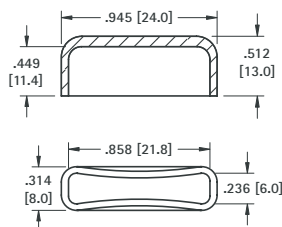
Assembled with Clip, Cat. No. 4244

CAT. NO. 4243

3AG FUSE HOLDERS

5mm & 3AG FUSE COVERS

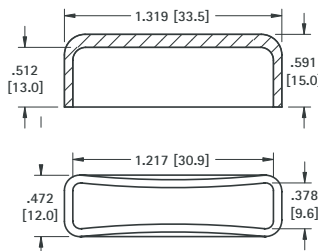
5mm



CAT. NO. 3527C

MATERIAL: PVC, UL Rated 94V-0

3AG



CAT. NO. 4245C

MATERIAL: PVC, UL Rated 94V-0

KEYSTONE
RoHS COMPLIANT ~ ISO 9001 CERTIFIED

www.keyelco.com

31-07 20th Road - Astoria, NY 11105-2017

33

Tel (718) 956-8900 • Fax (718) 956-9040

(800) 221-5510 • kec@keyelco.com