

FUSE CLIPS

- PC thru mount, surface mount and rivet types for 5mm, 1AG, 2AG, 3AG, 4AG, 5AG, 7AG & 8AG fuse sizes
- Low contact resistance
- Withstands shock and vibration
- Rated 6.3 to 30 Amps
- Custom designs and modifications available to your specifications

PC THRU MOUNT TYPES

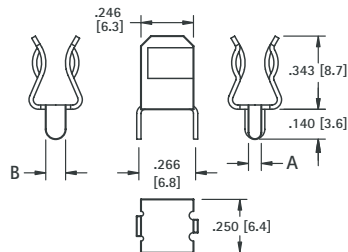
- Available for 5mm, 1AG, 2AG, 3AG, 5AG, 7AG & 8AG sizes
- Low profile, space saving
- Snap-fit design enhances assembly and PC retention for wave soldering
- Available with orientation legs to assure proper PC installation
- Available with or without end stops

SURFACE MOUNT & RIVET TYPES

- Available for 5mm, 1AG, 2AG, 3AG, 4AG, 7AG & 8AG sizes
- Available with straight or 45° solder lugs
- Available with .187 (4.7), .205 (5.2) or .250 (6.4) or quick-fit tabs
- Low profile, space saving
- Available with or without end stops

Refer to pages 38-40 for Fuse Clip Layout and Mounting Details

5mm PC Clips

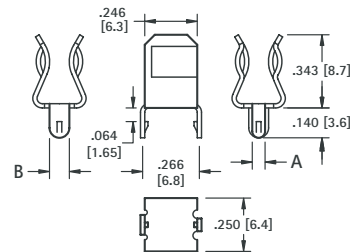


MATERIAL:

.020 (.51) thick Brass, Tin Plate
Current Rating: 15 Amps

CAT. NO.	A	B
3517	.060 (1.5)	.060 (1.5)
3518P	.060 (1.5)	.093 (2.4)

With or Without Orientation Legs



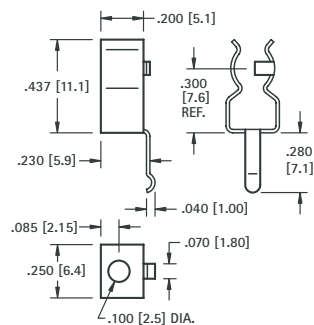
- With snap-in PC legs

MATERIAL:

.020 (.51) thick Brass, Tin Plate
Current Rating: 15 Amps

CAT. NO.	A	B
3512	.060 (1.5)	.060 (1.5)
3512P	.060 (1.5)	.093 (2.4)

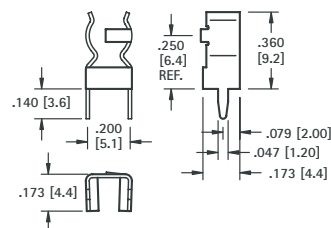
With or Without Orientation Legs



MATERIAL:

.016 (.41) thick Brass, Tin Plate
Current Rating: 6.3 Amps

CAT. NO. 3520

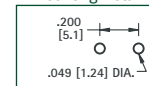


MATERIAL:

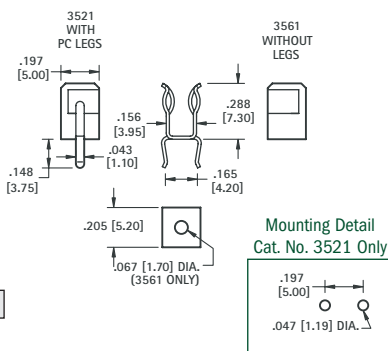
.016 (.41) thick Brass, Tin Plate
Current Rating: 10 Amps

CAT. NO. 3519

Mounting Detail



For 2AG or 5mm



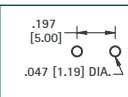
MATERIAL:

.016 (.41) thick Brass, Tin Plate
Current Rating: 10 Amps

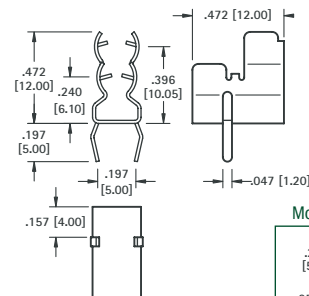
CAT. NO. 3521 (THM with PC Legs)

CAT. NO. 3561 (SMT with Hole)

Mounting Detail Cat. No. 3521 Only



For 5mm/3AG

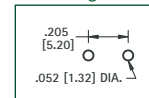


MATERIAL:

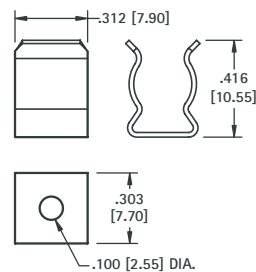
.016 (.41) thick Brass, Tin Plate
Current Rating: 15 Amps

CAT. NO. 3562

Mounting Detail



For 4AG (9/32 Dia.)

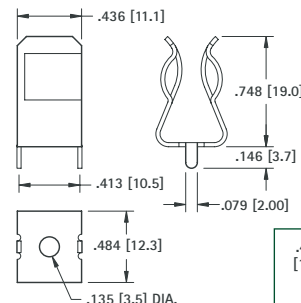


MATERIAL:

.020 (.51) thick Brass, Nickel Plate
Current Rating: 15 Amps

CAT. NO. 3565 (Without End Stops)

For 5AG (13/32 Dia.)



MATERIAL:

.030 (.76) thick Brass, Tin Plate
Current Rating: 30 Amps

CAT. NO. 3566

Mounting Detail

