

## FPG3



Fingergrip

Panel Mount · Snap-In · 5 x 20 mm

**Beschreibung**

- Panel Thickness 1.0 - 3.0 mm

**Standards**

- IEC 60127-6  
 - UL 512  
 - CSA C22.2 no. 39

**Approvals**

- VDE License Number: 127216  
 - UL File Number: E39328


**References**

General Product Information

**Weblinks**

Approvals: <http://www.schurter.com/approvals>  
 RoHS: <http://www.schurter.com/rohs>

**Technical Data**

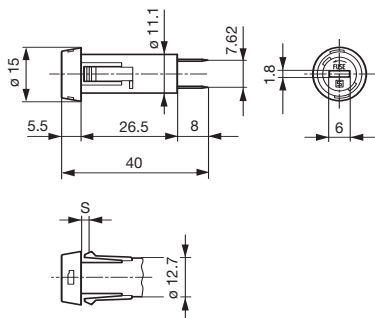
Shocksafe Category	PC2
Fuse-Link	5 x 20 mm
Mounting	Panel Mount, Front-Side
Fastening	Snap-In
Terminals	Solder or Quick-Connect 4.8 x 0.5 mm
Rated Voltage	250 VAC
Rated Current	10 A (VDE), 16 A (UL/CSA)
Rated Power Acceptance	2.5 W / 10 A @ Ta 23 °C Admissible power acceptance at higher ambient temperature see derating curves
Degree of Protection	IP 40
Protection Class	Suitable for appliances with protection class I or II acc. to IEC 61140
Admissible Ambient Air Temp.	-40 °C to 85 °C
Climatic Category	40/085/21 acc. to IEC 60068-1
Material: Socket	Thermoplastic, Black, UL 94V-0
Material: Terminals	Tin-Plated Copper Alloy
Unit Weight (Socket/Cap)	5.3 g
Stock Conditions	0 °C to 60 °C, max. 70% r.h.
Product Marking	 Type, Voltage Rating, Power Acc./Current Ratings, Panel thickness, Approvals

Soldering Methods	Iron
Solderability	350 °C / 2 sec acc. to IEC 60068-2-20, Test Ta, method 2
Resistance to Soldering Heat	350 °C / 10 sec acc. to IEC 60068-2-20, Test Tb, method 2
Contact Resistance	< 5 mΩ at 20 mV
Dielectric Strength	> 3 kV between L-N > 4 kV between L/N-PE (50 Hz; 1 min)
Impulse Withstand Voltage	> 4 kV between L-N > 6 kV between L/N-PE
Insulation Resistance	> 10 MΩ between L-N > 100 MΩ between L/N-PE (500 VDC; 1 min)
Overvoltage Category	I - III acc. to IEC 60664-1
Pollution Degree	1 - 3 acc. to IEC 60664-1
Resistance to Vibration	acc. to IEC 60068-2-6, test Fc
Panel Thickness s	1.0 - 3.0 mm

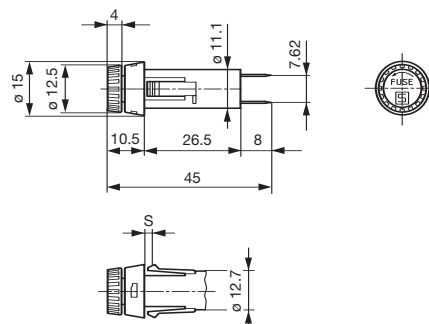
FPG3

Dimensions

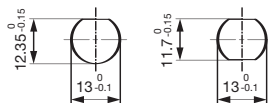
Length  40 mm



Variants 3101.0030, 3101.0230, 3101.0031 and 3101.0331  
s = Panel thickness (see variants)

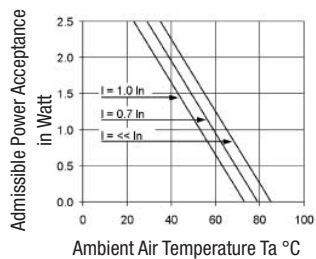


Variants Fingergrasp 3101.0035, 3101.0235, 3101.0036 and 3101.0336  
s = Panel thickness (see variants)



Mounting holes

Derating Curves



Variants

Order Number	Holder	Cap	Panel Thickness s [mm]	Terminals	Degree of Protection
3101.0030	●	Slotted	1.0 - 1.8 mm	Solder	IP 40
3101.0230	●	Slotted	1.0 - 1.8 mm	Quick-Connect 4.8 x 0.5 mm	IP 40
3101.0031	●	Slotted	2.0 - 3.0 mm	Solder	IP 40
3101.0331	●	Slotted	2.0 - 3.0 mm	Quick-Connect 4.8 x 0.5 mm	IP 40
3101.0035	●	Fingergrasp	1.0 - 1.8 mm	Solder	IP 40
3101.0235	●	Fingergrasp	1.0 - 1.8 mm	Quick-Connect 4.8 x 0.5 mm	IP 40
3101.0036	●	Fingergrasp	2.0 - 3.0 mm	Solder	IP 40
3101.0336	●	Fingergrasp	2.0 - 3.0 mm	Quick-Connect 4.8 x 0.5 mm	IP 40

White and grey colours available on request

Packaging Unit Bulk (100 pcs.)