

DIMENSIONS

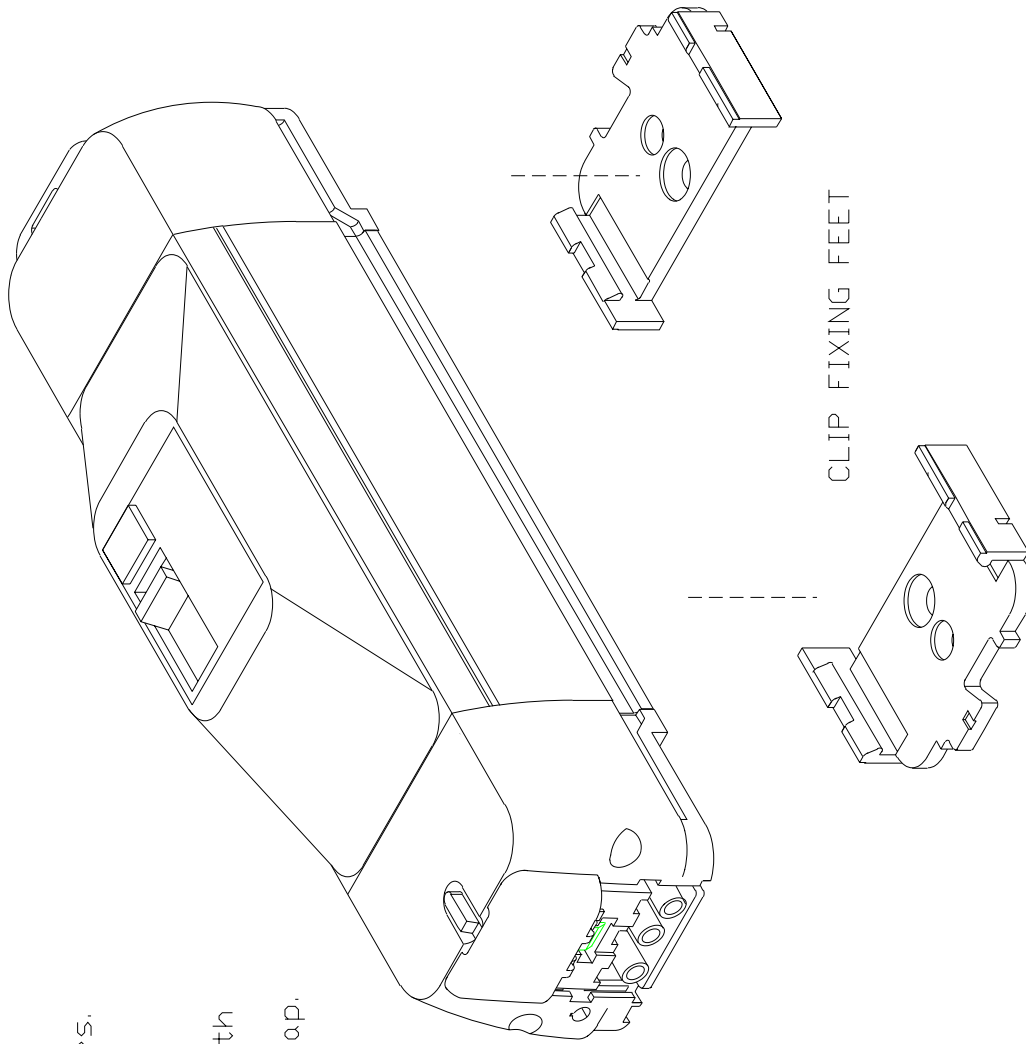
WIDTH 62mm  
 HEIGHT 83mm  
 HEIGHT INCLUDING FIXING FOOT 87mm

Overall length 228mm not including connected cables.

FEATURES

Wieland ST18/3 male input, female output in end caps with shutters.  
 Earth terminal in input end cap.  
 Input "power on" neon.

RCD rating : 30mA  
 Unit rating : 16A/250Vac  
 CE marked to product standard BS5733.



DO NOT SCALE

THIS DRAWING IS THE PROPERTY OF APHEL LIMITED. REPRODUCTION WHOLLY OR IN PART PROHIBITED © APHEL LIMITED

ISSUE DATE	01	24/08/95	8/7/03						
------------	----	----------	--------	--	--	--	--	--	--

TOLERANCES  
 (UNLESS OTHERWISE STATED)

0.00	0.0	0
0.01mm	0.25mm	1mm

DESCRIPTION	DB2000 RCD UNIT	2201-000
DRAWING NUMBER	GA0035	DRAWN BY MLF CHECKED HGH

THIS IS A CAD GENERATED PLOT. REFER TO COMPUTER FILE FOR MASTER

