
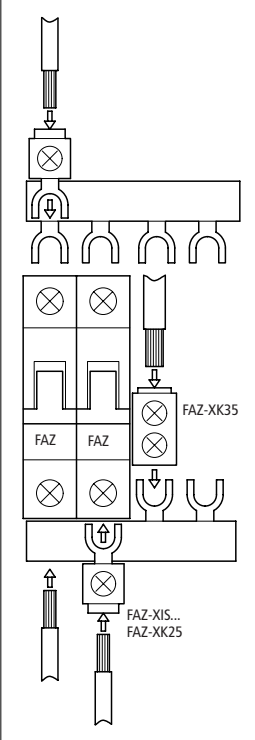
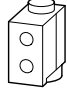

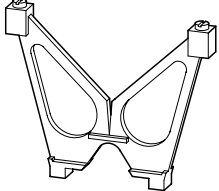


Mounting Accessories

Incoming Terminals, Protection Against Direct Contact

	Type Article no.	Price See Price List	Std. pack		
Incoming terminals					
Up to 25 mm ² Touch-proof busbar connection to miniature circuit-breaker 	FAZ-XK25 212116		50 off		
Up to 35 mm ² Touch-proof connection to FAZ-XIS... busbar 	FAZ-XK35 212119		10 off		
Protective covers					
For shrouding unused terminals on the busbar 	FAZ-XBS 212120		10 sets 5 per set		
Bracket for securing the covers 2 off required per group of MCBs 	REG-BB 212106		20 off		