

TENMA®

USERS MANUAL

FIXED 13.8VDC POWER SUPPLY

Model 72-8140
72-8141
72-8142



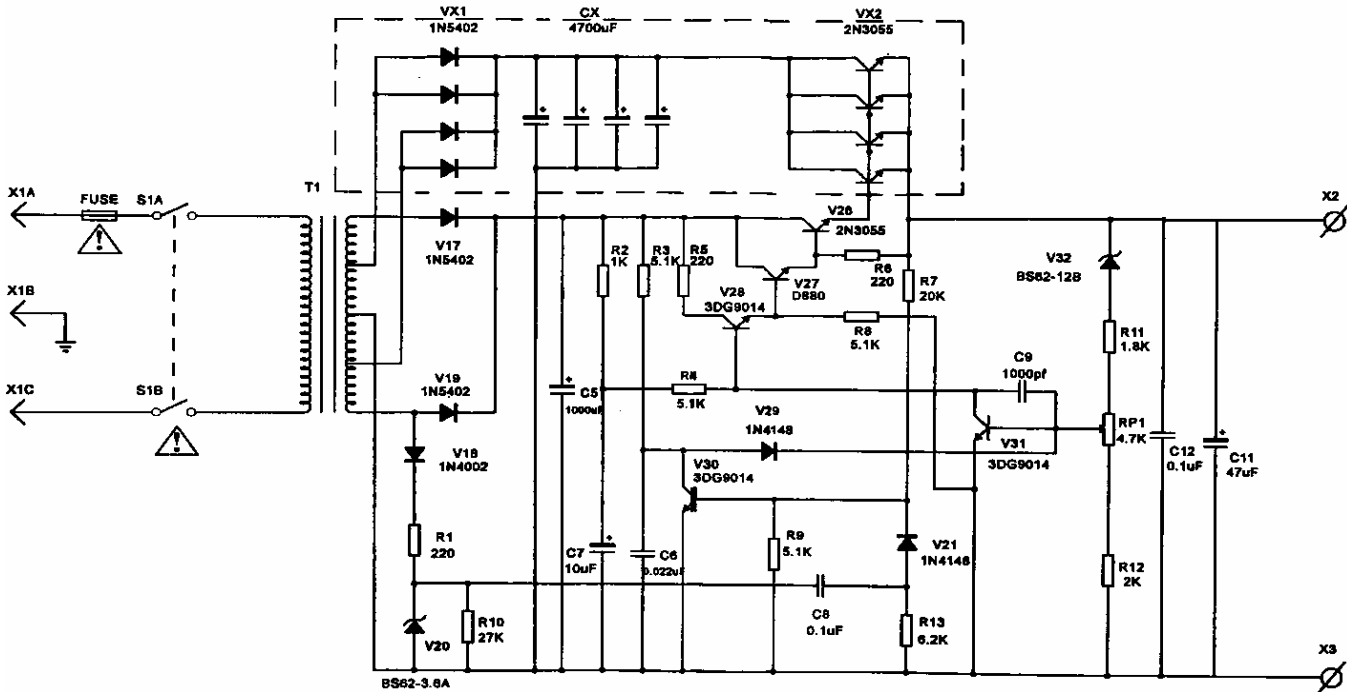
1. INTRODUCTION

These compact, fixed voltage regulated power supplies are perfect for cell phones, auto sound products, scanners, CB and ham radio equipment. The highly regulated output, and efficient convection cooling ensure long term reliability. These units are capable of running a 100% of rated continuous output for 30 minutes.

2. PRECAUTIONS

- This power supply is intended for indoor use only
- **Never** remove the metal cover of the power supply while AC power is connected
- **Never** touch the unit when your hands are wet
- **Never** block ventilation slots or place where rear heat sinks can come in contact with other items
- Refer servicing only to qualified service personnel, as incorrect re-assembly may result in a risk of electric shock or fire
- Power supply output provides 13.8VDC fixed output, be certain connected load accepts this voltage
- **Never** use the power supply for the load requiring higher current than the designed value, at the risk of damage to the supply
- Place the power supply on a flat surface with sufficient clearance, dry, dust free surroundings for ventilation
- Do not expose the power supply to sun, high humidity or dust levels
- In the event that fuse requires replacement, use only the same rating, fast blow fuse

3. CIRCUIT DIAGRAM



Note: The above schematic is for representation of the regulation and output circuit only. The number of filter capacitors, rectifier diodes and 2N3055 output transistors represented in the dotted section, will vary depending upon the output current rating of the specific supply model.

If more detailed viewing of the above schematic is desired, it may be viewed at www.mcminone.com, under any of the model numbers listed in this document.

4. SPECIFICATIONS

Model	72-8140	72-8141	72-8142
Continuous	3.0A	6.0A	10.0A
Surge	5.0A	8.0A	12.0A
Ripple voltage	<20mV	<25mV	<40mV
Line/load regulation		1.5%	
Fuse protection	0.8A	2.0A	2.5A
Input Voltage		110~127VAC, 60Hz	
Dimensions (H x W x D)	3-1/4" x 4-1/2" x 7"	4-3/8" x 5-1/2" x 9-1/4"	4-3/8" x 5-1/2" x 9-1/4"

Tenma Test Equipment

Distributed by:
MCM, an InOne company
650 Congress Park Drive
Centerville, Ohio 45459
www.mcminone.com