

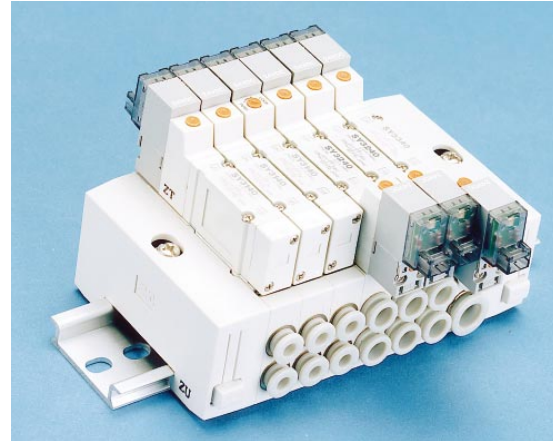
# 5 PORT SOLENOID VALVE SERIES SY3000

Valves

- ✓ High flow capacity
- ✓ Low power consumption
- ✓ Fast response
- ✓ Life expectancy over 50 million cycles
- ✓ Body ported and base mounted versions
- ✓ Compact and lightweight
- ✓ Threaded or one touch fittings
- ✓ Wide range of manifold options
- ✓ Internal pilot exhaust is standard

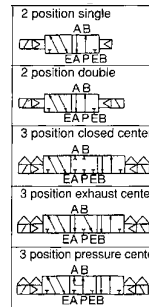
### TECHNICAL SPECIFICATIONS

Fluid		Air
Operating Pressure	2 Position single solenoid	1.5 - 7.1kgf/cm <sup>2</sup> (0.15-0.7MPa)
	2 position double solenoid	1.0 - 7.1kgf/cm <sup>2</sup> (0.1 - 0.7MPa)
	3 Position valve	2.0 - 7.1 kg/cm <sup>2</sup> (0.2 - 0.7MPa)
Ambient and fluid temperature (°C)		-10°C - +50°C
Max. operating frequency	2 position valve	10Hz
	3 position valve	3Hz
Lubrication		Not required
Mounting position		Free
Response time (at 5.1kgf/cm <sup>2</sup> ) with lamp and surge voltage suppressor)	2 position single solenoid	12ms
	2 position double solenoid	10ms
	3 position valve	15ms
Power consumption	24VDC	0.55W with LED
	110VAC	1.1VA with LED
	230VAC	2.3VA with LED
Allowable voltage variation		±10%
Flow capacity		Cv 0.2 or greater (See separate table)



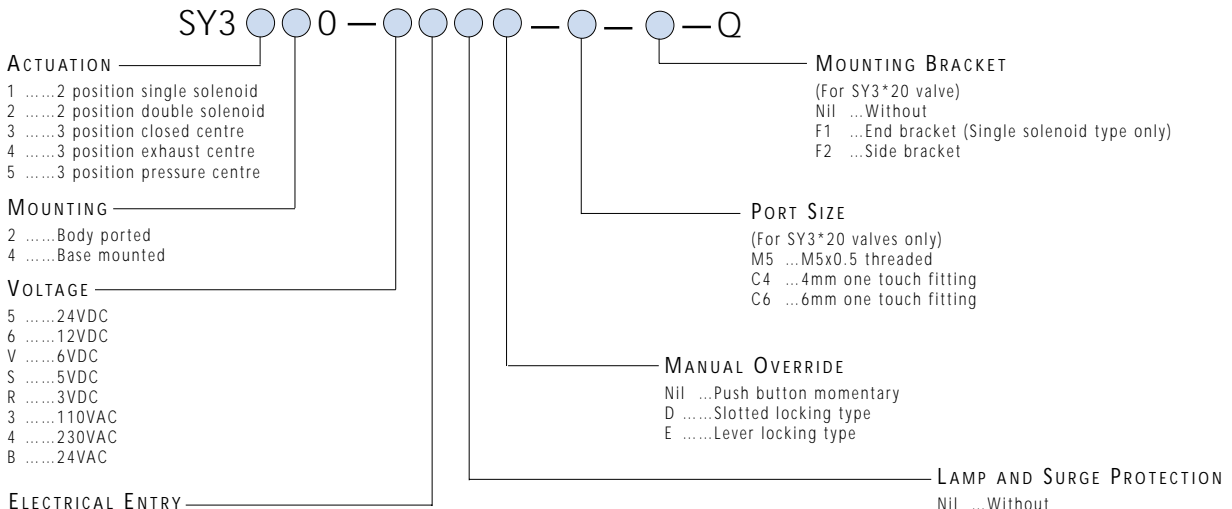
NOTE: External pilot versions of these valves are also available. Please contact your local SMC Regional Centre for details.

### SYMBOLS



### HOW TO ORDER

#### SOLENOID VALVE SERIES SY3000



Grommet	L type plug connector		M type plug connector	
<b>G:</b> Lead wire length: 300mm	<b>L:</b> With lead wire (Length: 300mm)	<b>LN:</b> Without lead wire	<b>M:</b> With lead wire (Length: 300mm)	<b>MN:</b> Without lead wire

**STOCKED PRODUCTS**  
FOR A LIST OF STOCKED PRODUCTS, PLEASE SEE THE CURRENT SMC PRICE LIST



FOR FURTHER TECHNICAL DETAILS ON THIS PRODUCT REQUEST CATALOGUE REFERENCE E135-B



DIMENSIONS  
SY3000

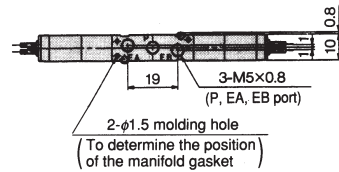
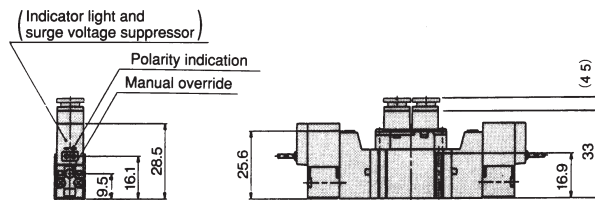
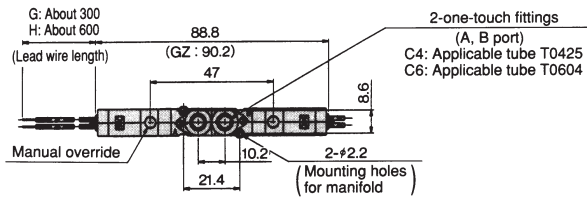
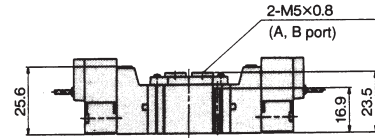
Valves

2 position double

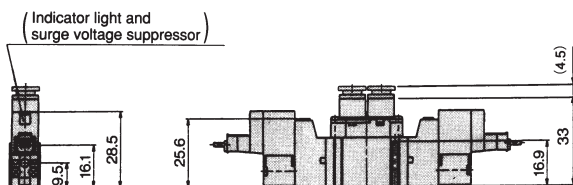
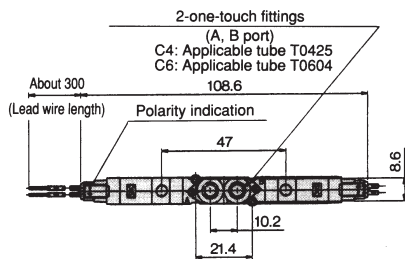
Grommet (G), (H) : SY3220-□<sub>G</sub>□<sub>H</sub>□□-C<sub>4</sub>

SY3220-□<sub>G</sub>□<sub>H</sub>□□-M5

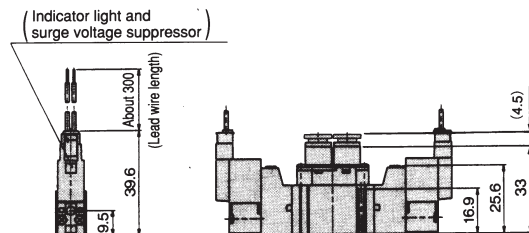
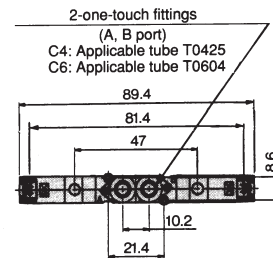
Scale: 40%



L type plug connector (L) : SY3220-□L□□-C<sub>4</sub>



M type plug connector (M) : SY3220-□M□□-C<sub>4</sub>



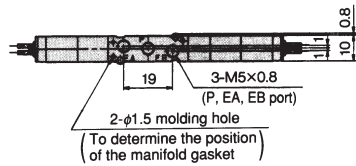
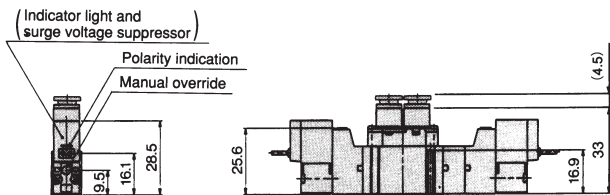
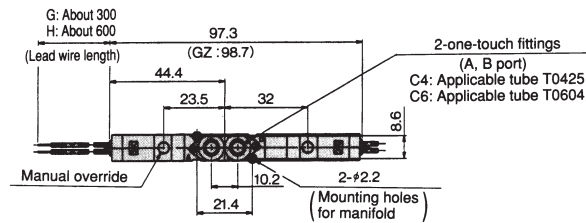
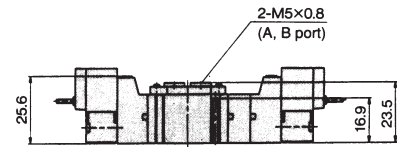
FOR FURTHER TECHNICAL  
DETAILS ON THIS PRODUCT  
REQUEST CATALOGUE  
REFERENCE  
E135-B

DIMENSIONS  
SY3000

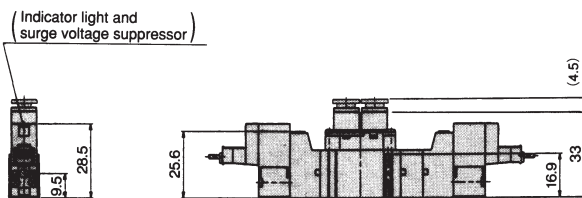
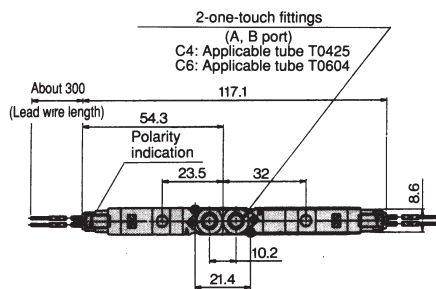
3 position closed center / exhaust center / pressure center

Grommet (G), (H) : SY3 $\frac{3}{4}$ 20-□<sup>G</sup>□<sup>H</sup>□□-C<sup>4</sup>-C<sup>6</sup>

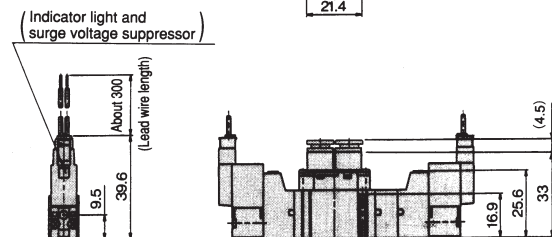
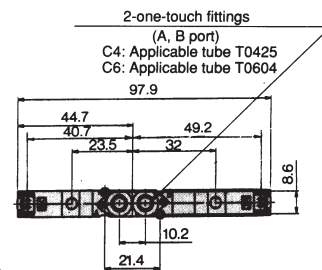
SY3 $\frac{3}{4}$ 20-□<sup>G</sup>□<sup>H</sup>□□-M5



L type plug connector (L) : SY3 $\frac{3}{4}$ 20-□<sup>L</sup>□□-C<sup>4</sup>-C<sup>6</sup>



M type plug connector (M) : SY3 $\frac{3}{4}$ 20-□<sup>M</sup>□□-C<sup>4</sup>-C<sup>6</sup>



SEE INSIDE FRONT COVER FOR  
DETAILS OF YOUR LOCAL SALES OFFICE



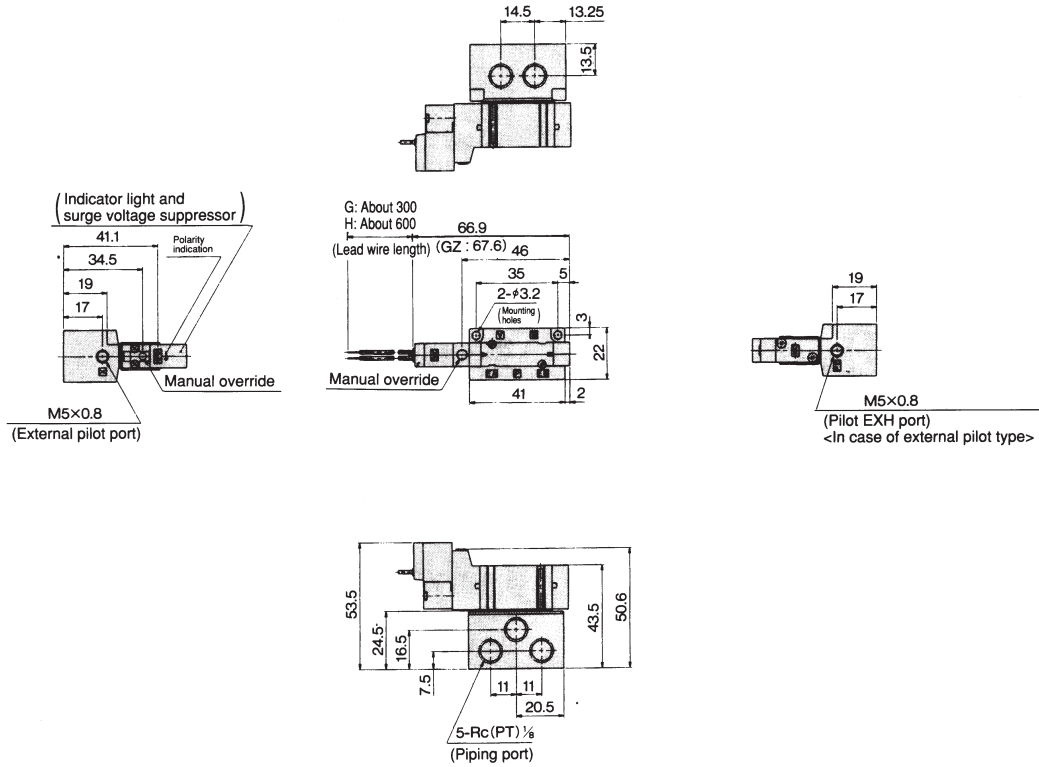
FOR FURTHER TECHNICAL  
DETAILS ON THIS PRODUCT  
REQUEST CATALOGUE  
REFERENCE  
E135-B

DIMENSIONS  
SY3000

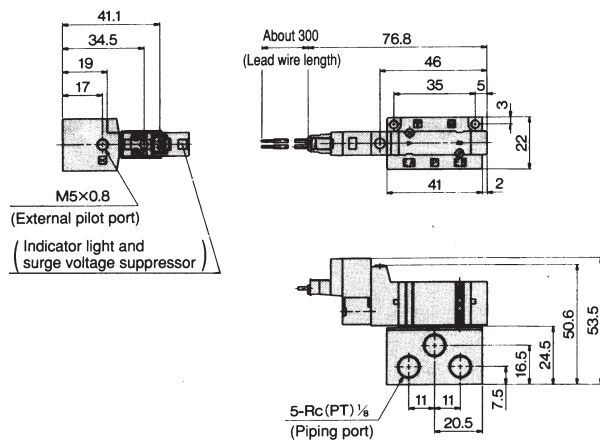
Valves

2 position single

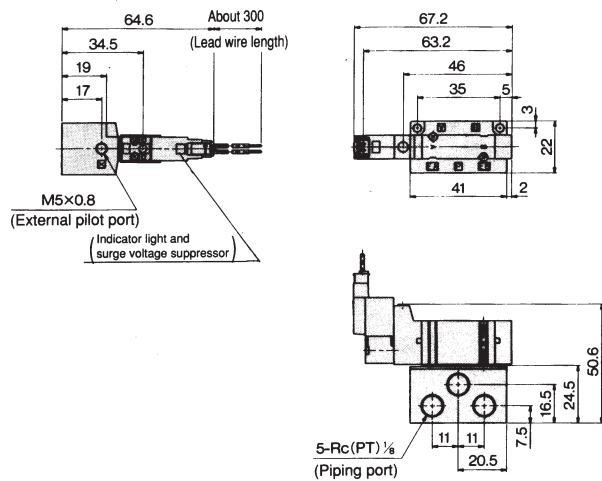
Grommet (G), (H) : SY3140-□□G□□-01



L type plug connector (L) : SY3140-□□L□□-01



M type plug connector (M) : SY3140-□□M□□-01

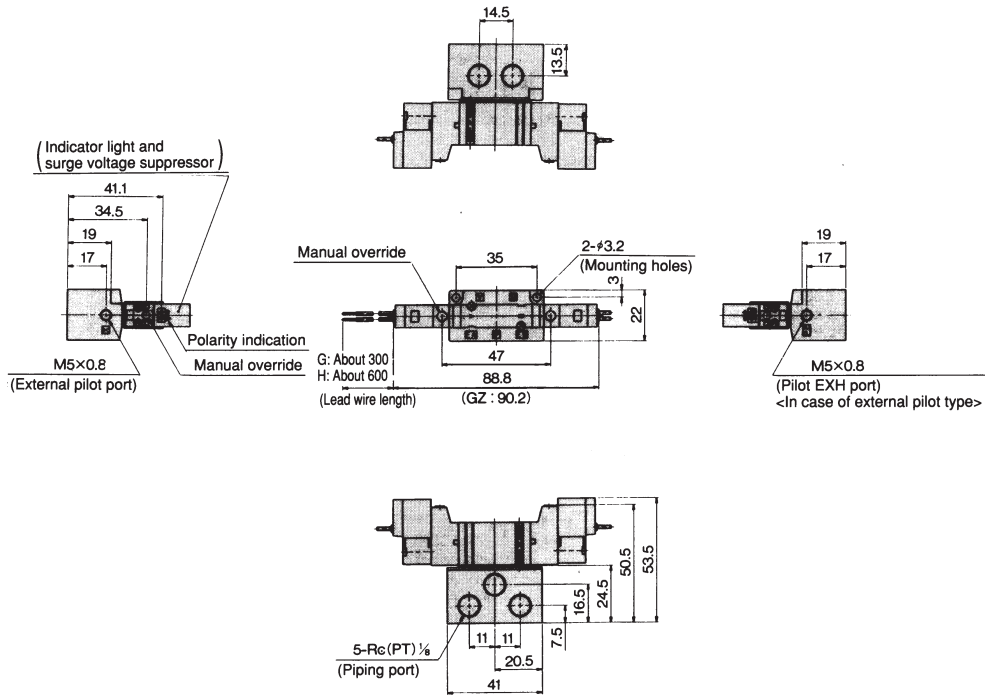


FOR FURTHER TECHNICAL  
DETAILS ON THIS PRODUCT  
REQUEST CATALOGUE  
REFERENCE  
E135-B

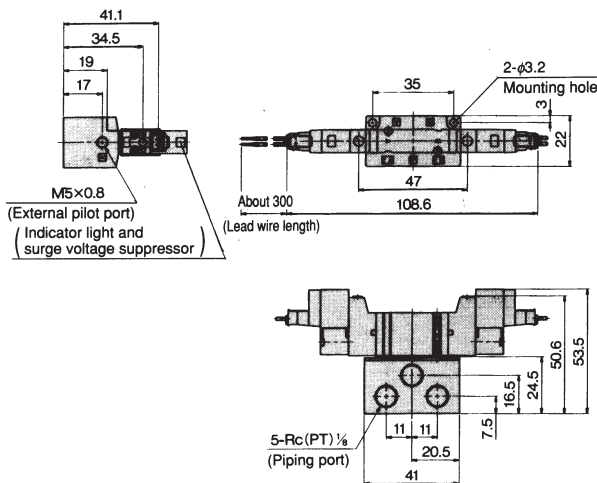
DIMENSIONS  
SY3000

2 position double

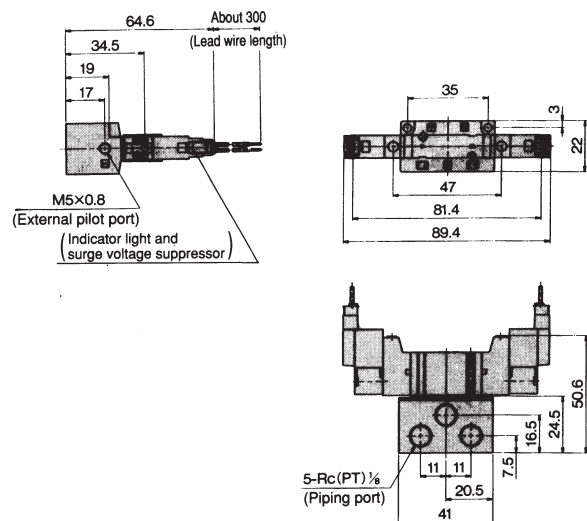
Grommet (G), (H) : SY3240-□<sup>G</sup>□□-01



L type plug connector (L) : SY3240-□L□□-01



M type plug connector (M) : SY3240-□M□□-01



SEE INSIDE FRONT COVER FOR  
DETAILS OF YOUR LOCAL SALES OFFICE



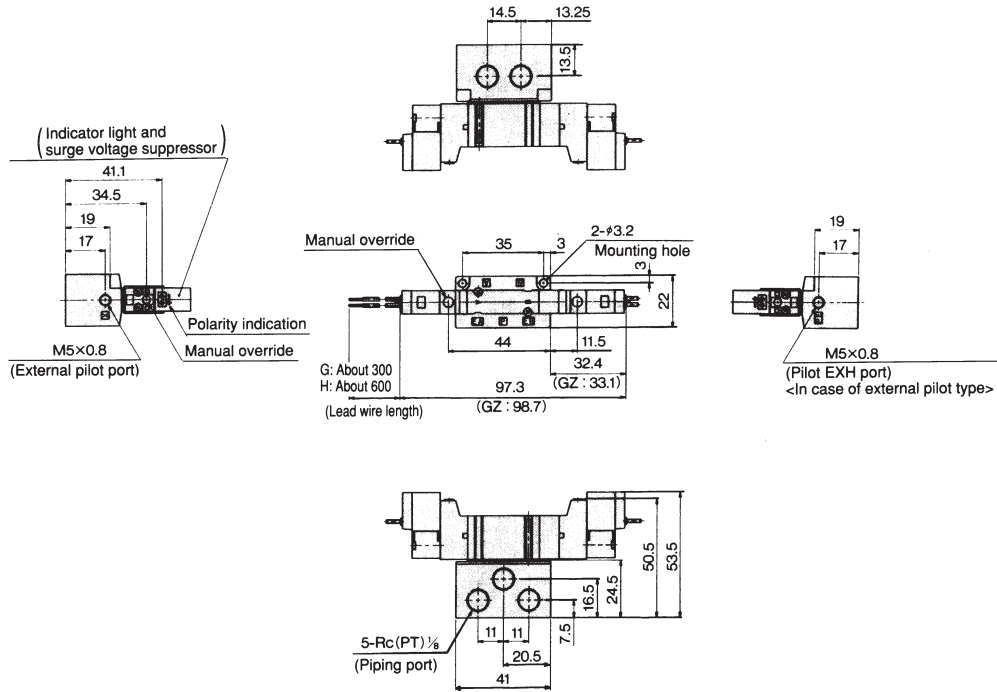
FOR FURTHER TECHNICAL  
DETAILS ON THIS PRODUCT  
REQUEST CATALOGUE  
REFERENCE  
E135-B



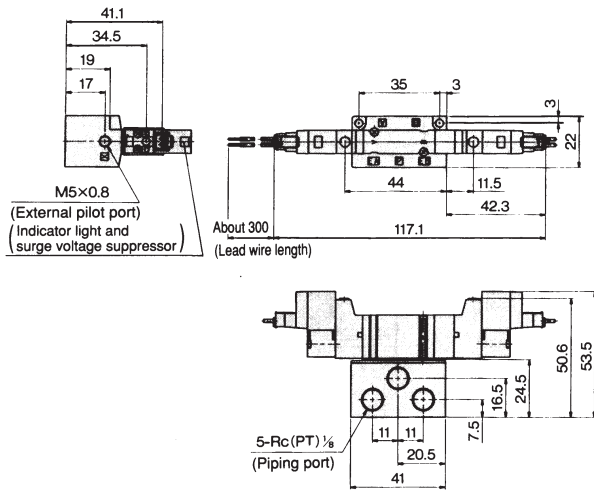
DIMENSIONS  
SY3000

Valves

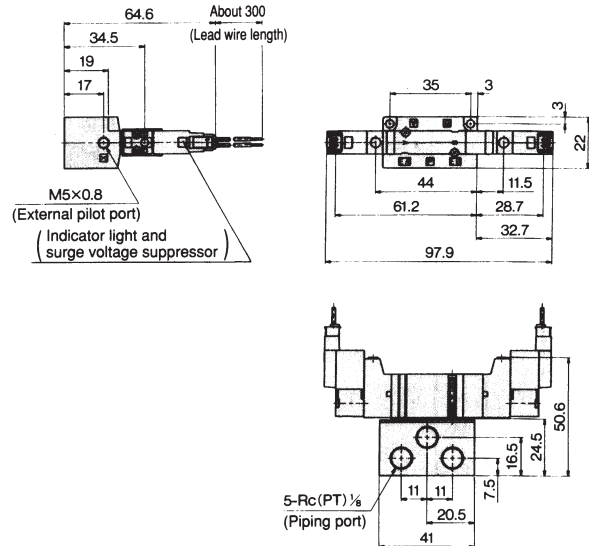
**3 position closed center / exhaust center / pressure center**  
Grommet (G), (H) : SY3 $\frac{3}{4}$ 40-□ $\frac{G}{H}$ □□-01



**L type plug connector (L) : SY3 $\frac{3}{4}$ 40-□L□□-01**



**M type plug connector (M) : SY3 $\frac{3}{4}$ 40-□M□□-01**



FOR FURTHER TECHNICAL  
DETAILS ON THIS PRODUCT  
REQUEST CATALOGUE  
REFERENCE  
E135-B

## SY VALVE CONNECTOR ASSEMBLIES

These are also applicable for use with SY 3 port valves, SYJ 3 port and SYJ 5 port valves with L or M type connectors. Grommet entry valves have hard wired cables and DIN connector valves have a separate series of plugs.

Connector housing only, unwired : SY100-29-1

Unshrouded leads with a grey connector are ordered as specified below.

SY100 — 30 —

TYPE

- 4A ...24VDC lead (Black and Red leads)
- 1A ...100VAC lead (Grey leads)
- 3A ...110VAC lead (Blue leads)

LENGTH

- Nil ...300mm
- 6 ...600mm
- 15 ...1500mm
- 30 ...3000mm
- 50 ...5000mm

A shrouded lead with a connector boot in black, is ordered as specified below. Cable cores are Red and Black.

VJ10 — 51 — A —

LENGTH

- Nil ...300mm
- 6 ...600mm
- 15 ...1500mm
- 30 ...3000mm
- 50 ...5000mm

DIN connectors specified on larger valve series, including SY5000 and SY7000 are specified as follows:

SY100 — 61 —

POLARITY

- 1 .....Without light (no electronics)
- 2 .....AC voltage
- 3 .....DC voltage

VOLTAGE

- Nil ...Without electronics (SY100-61-1)
- 05 ...24VDC
- 06 ...12VDC
- 03 ...110VAC
- 04 ...230VAC

NOTE: All DIN plugs are supplied unwired and suitable shrouded cable diameters Ø3.5 to Ø7.0 can be used.

A conversion connector to use on SY\* type valve with a lead from an older type VZ is available. Part No. SY100-85-2A (This is 100mm long).

## FLOW CAPACITY OF SY SERIES VALVES

The flow capacity of these valves varies accordingly to the following factors:

- The function of the valve (2 position, 3 position, etc)
- Body ported or base mounted
- Port size

In addition, the flow capacity of the valve in the exhaust direction (from A or B to EA or EB ports) generally exceeds the inlet capacity from P to A or B.

The figures quoted below are on the following basis

Unit = Cv, Flow = From P to A or B ports, Position = 3 position valves in centre position

### SY VALVES FLOW CAPACITY SUMMARY TABLE

Size	Valve Type	Model Number	Port Size	Cv
SY3000	M5 Body Ported	SY3120	M5	0.20
		SY3220	M5	0.20
		SY3320	M5	0.20
		SY3420	M5	0.20
		SY3520	M5	0.16
	C4 Body Ported	SY3120	4mm Tube	0.19
		SY3220	4mm Tube	0.19
		SY3320	4mm Tube	0.19
		SY3420	4mm Tube	0.19
		SY3520	4mm Tube	0.12
	C6 Body Ported	SY3120	6mm Tube	0.20
		SY3220	6mm Tube	0.20
		SY3320	6mm Tube	0.20
		SY3420	6mm Tube	0.21
		SY3520	6mm Tube	0.16
	Subbase Mounted	SY3140	Rc 1/8	0.27
		SY3240	Rc 1/8	0.27
		SY3340	Rc 1/8	0.26
		SY3440	Rc 1/8	0.27
		SY3540	Rc 1/8	0.18
SY5000	1/8 Body Ported	SY5120	Rc 1/8	0.51
		SY5220	Rc 1/8	0.51
		SY5320	Rc 1/8	0.41
		SY5420	Rc 1/8	0.42
		SY5520	Rc 1/8	0.24
	C4 Body Ported	SY5120	4mm Tube	0.31
		SY5220	4mm Tube	0.31
		SY5320	4mm Tube	0.29
		SY5420	4mm Tube	0.29
		SY5520	4mm Tube	0.32
	C6 Body Ported	SY5120	6mm Tube	0.50
		SY5220	6mm Tube	0.50
		SY5320	6mm Tube	0.40
		SY5420	6mm Tube	0.41
		SY5520	6mm Tube	0.24
C8 Body Ported	SY5140	8mm Tube	0.51	
	SY5240	8mm Tube	0.51	
	SY5340	8mm Tube	0.41	
	SY5440	8mm Tube	0.41	
	SY5540	8mm Tube	0.44	
Subbase Mounted	SY5140	Rc 1/4	0.71	
	SY5240	Rc 1/4	0.71	
	SY5340	Rc 1/4	0.42	
	SY5440	Rc 1/4	0.44	
	SY5540	Rc 1/4	0.25	
SY7000	1/4 Body Ported	SY7120	Rc 1/4	0.90
		SY7220	Rc 1/4	0.90
		SY7320	Rc 1/4	0.67
		SY7420	Rc 1/4	0.66
		SY7520	Rc 1/4	0.62
	C8 Body Ported	SY7120	8mm Tube	0.77
		SY7220	8mm Tube	0.77
		SY7320	8mm Tube	0.64
		SY7420	8mm Tube	0.62
		SY7520	8mm Tube	0.59
	C10 Body Ported	SY7120	10mm Tube	0.88
		SY7220	10mm Tube	0.88
		SY7320	10mm Tube	0.68
		SY7420	10mm Tube	0.66
		SY7520	10mm Tube	0.62
Subbase Mounted	SY7140	Rc 1/4	1.29	
	SY7240	Rc 1/4	1.29	
	SY7340	Rc 1/4	0.78	
	SY7440	Rc 1/4	0.78	
	SY7540	Rc 1/4	0.75	
Subbase Mounted	SY7140	Rc 3/8	1.29	
	SY7240	Rc 3/8	1.29	
	SY7340	Rc 3/8	0.78	
	SY7440	Rc 3/8	0.78	
	SY7540	Rc 3/8	0.75	



SEE INSIDE FRONT COVER FOR  
DETAILS OF YOUR LOCAL SALES OFFICE



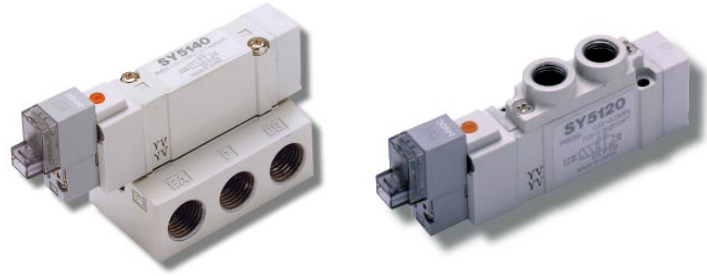
FOR FURTHER TECHNICAL  
DETAILS ON THIS PRODUCT  
REQUEST CATALOGUE  
REFERENCE  
E135-B



# 5 PORT SOLENOID VALVE SERIES SY5000

Valves

- ✓ High flow capacity
- ✓ Low power consumption
- ✓ Fast response
- ✓ Life expectancy over 50 million cycles
- ✓ Body ported and base mounted versions
- ✓ Compact and lightweight
- ✓ Threaded or one touch fittings
- ✓ Wide range of manifold options
- ✓ Internal pilot exhaust is standard

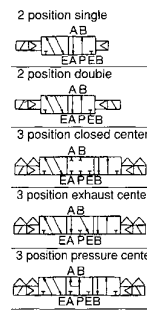


### TECHNICAL SPECIFICATIONS

Fluid	Air	
Operating Pressure	2 Position single solenoid	1.5 - 7.1kgf/cm <sup>2</sup> (0.15 - 0.7MPa)
	2 position double solenoid	1.0 - 7.1kgf/cm <sup>2</sup> (0.1 - 0.7MPa)
	3 Position valve	2.0 - 7.1 kg/cm <sup>2</sup> (0.2 - 0.7MPa)
Ambient and fluid temperature (°C)	-10°C ~ +50°C	
Max. operating frequency	2 position valve	5Hz
	3 position valve	3Hz
Lubrication	Not required	
Mounting position	Free	
Response time (at 5.1kgf/cm <sup>2</sup> ) with lamp and surge voltage suppressor)	2 position single solenoid	18ms
	2 position double solenoid	15ms
	3 position valve	28ms
Power consumption	24VDC	0.55W with LED
	110VAC	1.1VA with LED
	230VAC	2.3VA with LED
Allowable voltage variation	±10%	
Flow capacity	Cv 0.5 (See separate table under SY3000)	

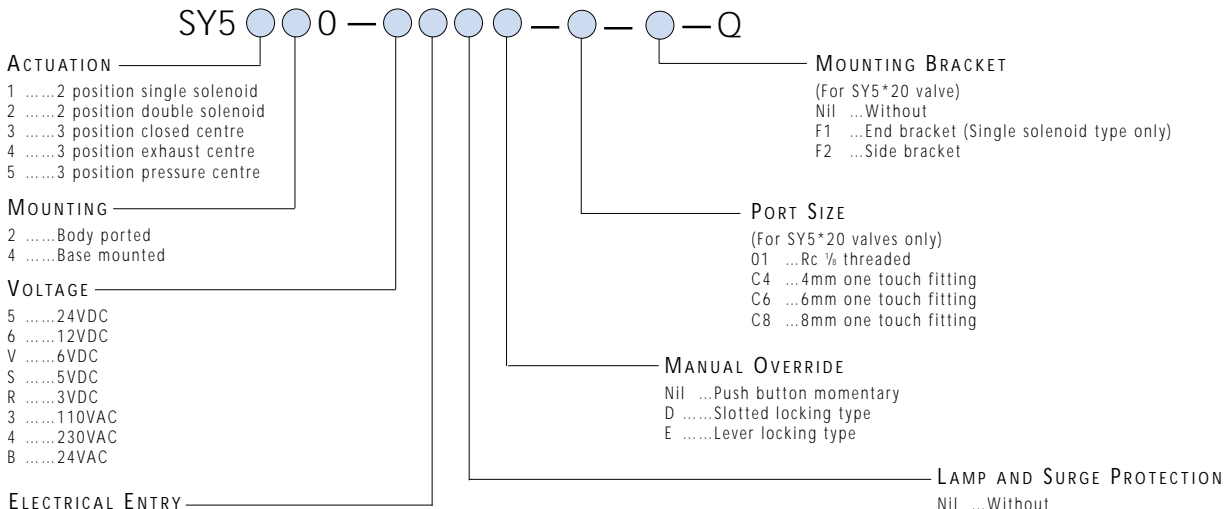
NOTE: External pilot versions of body ported and base mounted SY5000 valves are available. Please contact your local SMC Regional Centre for details.

### SYMBOLS



### HOW TO ORDER

#### SOLENOID VALVE SERIES SY5000



Grommet	L type plug connector		M type plug connector		DIN connector
<b>G:</b> Lead wire length: 300mm	<b>L:</b> With lead wire (Length: 300mm)	<b>LN:</b> Without lead wire	<b>M:</b> With lead wire (Length: 300mm)	<b>MN:</b> Without lead wire	<b>(SY5000,7000 only)</b> <b>D:</b> With connector

**STOCKED PRODUCTS**  
FOR A LIST OF STOCKED PRODUCTS,  
PLEASE SEE THE CURRENT SMC PRICE LIST



FOR FURTHER TECHNICAL  
DETAILS ON THIS PRODUCT  
REQUEST CATALOGUE  
REFERENCE  
E135-B

ACCESSORIES

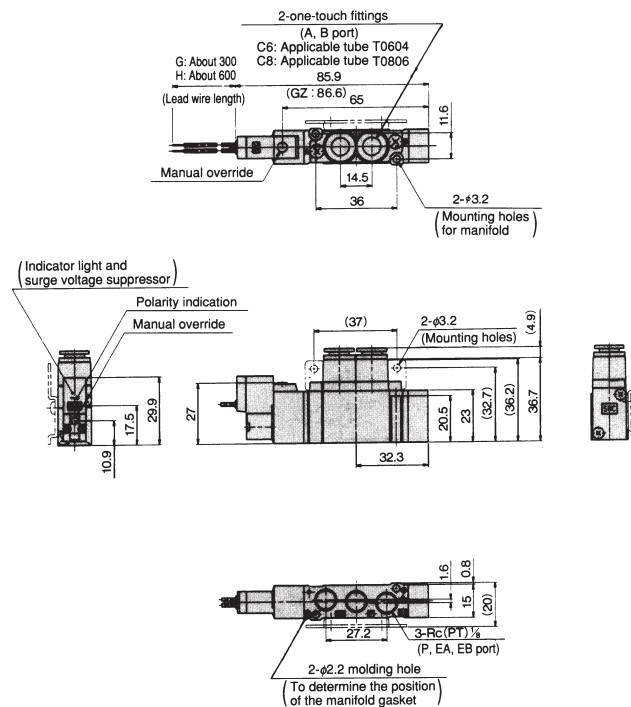
Connector series-please see SY3000 section  
 Single subbase = SY5000-27-1  
 SY5\*20 porting block-1/8" = SY5000-6A-01  
 SY5\*20 porting block-4mm = SY5000-6A-C4  
 SY5\*20 porting block-6mm = SY5000-6A-C6  
 SY5\*20 porting block-8mm = SY5000-6A-C8  
 Side mounting bracket = SX5000-16-1A  
 Foot mounting bracket = SX5000-16-2A

APPLICABLE MANIFOLDS FOR SY5000  
SERIES VALVES

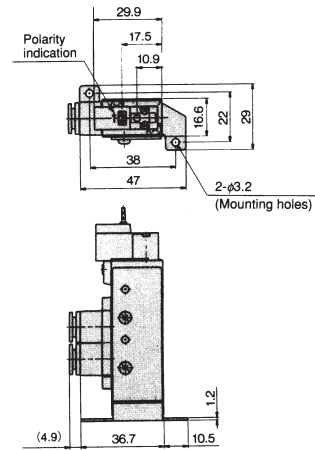
SS5Y5-20 .....For body ported valve  
 SS5Y5-20P.....For body ported valve  
 SS5Y5-41 .....For base mounted valves  
 SS5Y5-42 .....For base mounted valves  
 SS5Y5-41P.....For base mounted valves  
 SS5Y5-42P.....For base mounted valves  
 SS5Y5-45 .....Valves differ, please separate section for details of valves and manifolds

DIMENSIONS  
SY5000

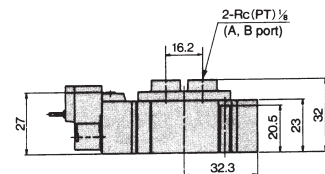
2 position single  
Grommet (G), (H) : SY5120-□<sub>G</sub>□<sub>H</sub>□<sub>C6</sub>□<sub>C8</sub> (-F2)



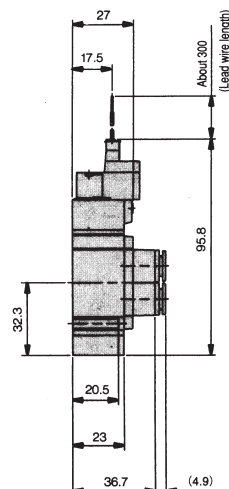
In case of with foot bracket  
SY5120-□<sub>G</sub>□<sub>H</sub>□<sub>C6</sub>□<sub>C8</sub>-F1



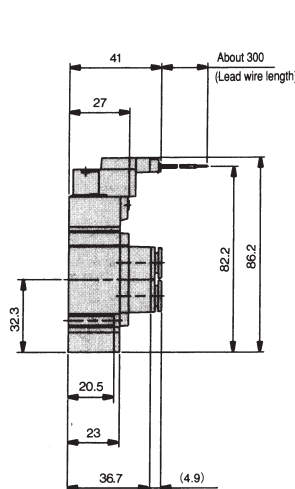
SY5120-□<sub>G</sub>□<sub>H</sub>□<sub>C6</sub>□<sub>C8</sub>-01



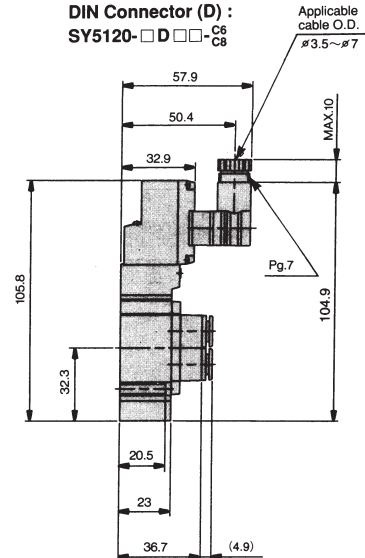
L Type Plug Connector (L) :  
SY5120-□<sub>L</sub>□<sub>C6</sub>□<sub>C8</sub>



M Type Plug Connector (M) :  
SY5120-□<sub>M</sub>□<sub>C6</sub>□<sub>C8</sub>



DIN Connector (D) :  
SY5120-□<sub>D</sub>□<sub>C6</sub>□<sub>C8</sub>



SEE INSIDE FRONT COVER FOR  
DETAILS OF YOUR LOCAL SALES OFFICE



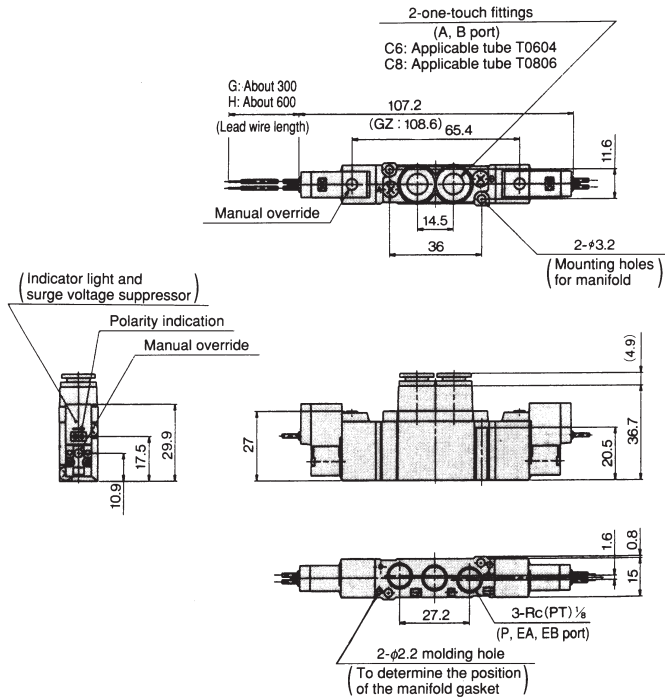
FOR FURTHER TECHNICAL  
DETAILS ON THIS PRODUCT  
REQUEST CATALOGUE  
REFERENCE  
E135-B

DIMENSIONS  
SY5000

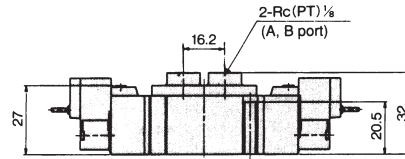
Valves

2 position double

Grommet (G), (H) : SY5220-□<sup>G</sup>□<sup>H</sup>□□-C<sup>G</sup><sub>8</sub>

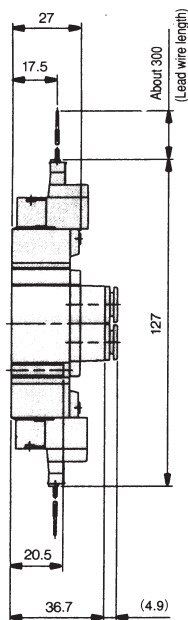


SY5220-□<sup>G</sup>□<sup>H</sup>□□-01



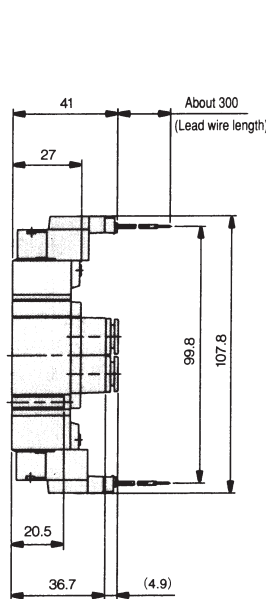
L Type Plug Connector (L) :

SY5220-□L□□-C<sub>6</sub><sub>8</sub>



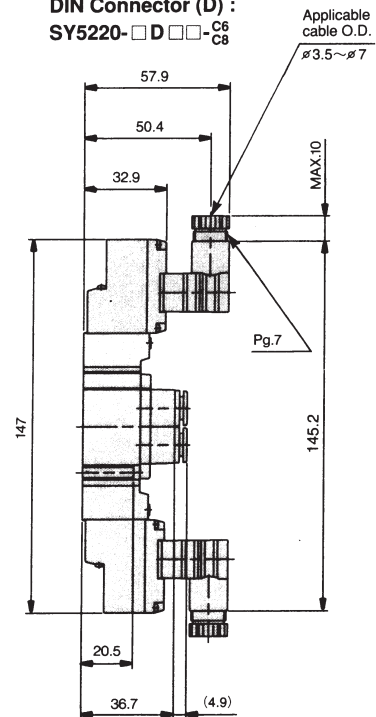
M Type Plug Connector (M) :

SY5220-□M□□-C<sub>6</sub><sub>8</sub>



DIN Connector (D) :

SY5220-□D□□-C<sub>6</sub><sub>8</sub>



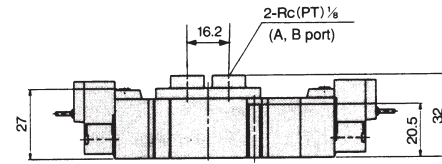
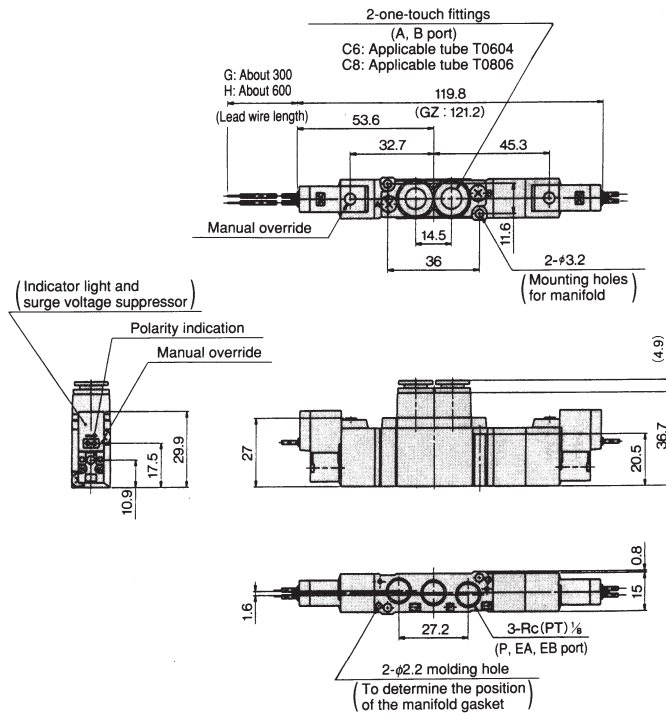
FOR FURTHER TECHNICAL  
DETAILS ON THIS PRODUCT  
REQUEST CATALOGUE  
REFERENCE  
E135-B

DIMENSIONS  
SY5000

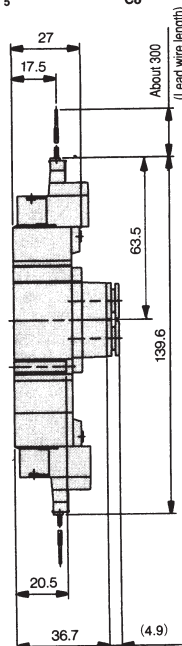
3 position closed center / exhaust center / pressure center

Grommet (G), (H) : SY5 $\frac{3}{8}$ 20-□<sup>G</sup>□□-C<sup>6</sup><sub>C8</sub>

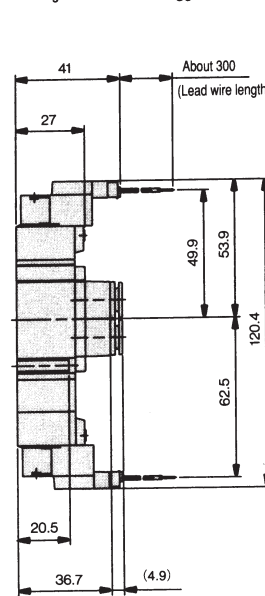
SY5 $\frac{3}{8}$ 20-□<sup>G</sup>□□-01



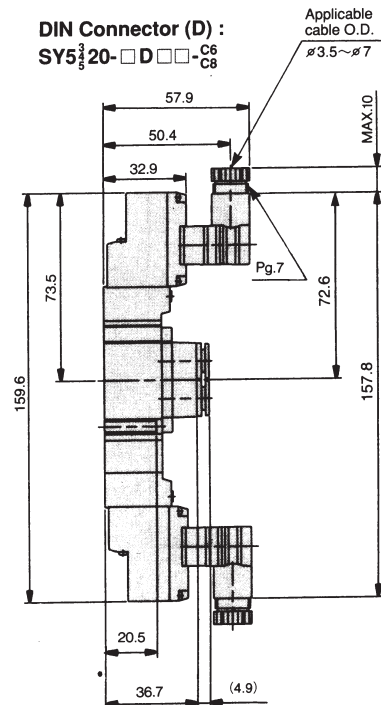
L Type Plug Connector (L) :  
SY5 $\frac{3}{8}$ 20-□L□□-C<sup>6</sup><sub>C8</sub>



M Type Plug Connector (M) :  
SY5 $\frac{3}{8}$ 20-□M□□-C<sup>6</sup><sub>C8</sub>



DIN Connector (D) :  
SY5 $\frac{3}{8}$ 20-□D□□-C<sup>6</sup><sub>C8</sub>



SEE INSIDE FRONT COVER FOR  
DETAILS OF YOUR LOCAL SALES OFFICE



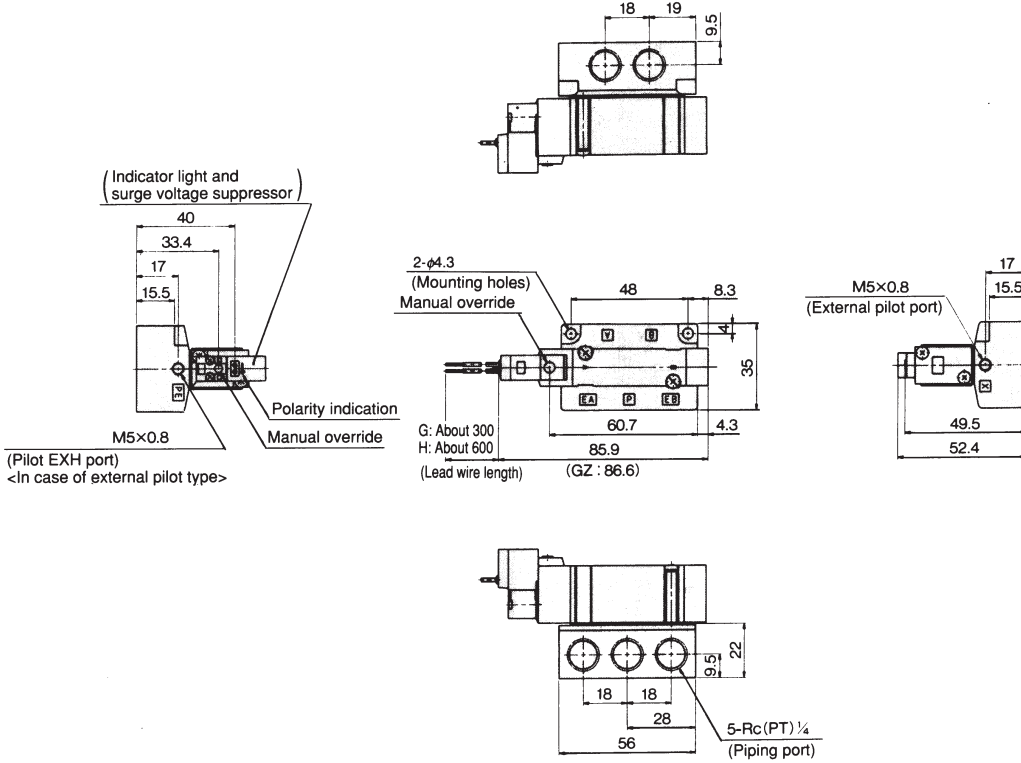
FOR FURTHER TECHNICAL  
DETAILS ON THIS PRODUCT  
REQUEST CATALOGUE  
REFERENCE  
E135-B

DIMENSIONS  
SY5000

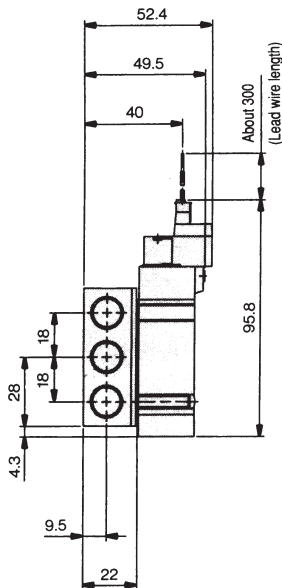
Valves

2 position single

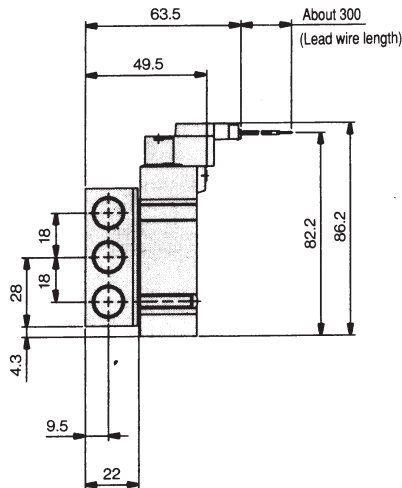
Grommet (G), (H) : SY5140-□<sup>G</sup>□□-02



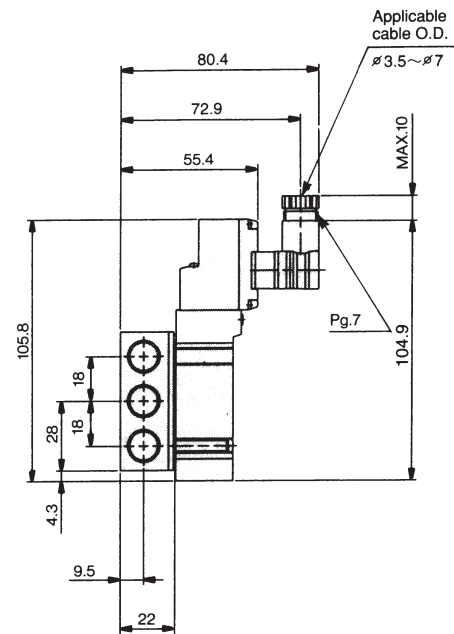
L Type Plug Connector (L) :  
SY5140-□L□□-02



M Type Plug Connector (M) :  
SY5140-□M□□-02



DIN Connector (D) :  
SY5140-□D□□-02

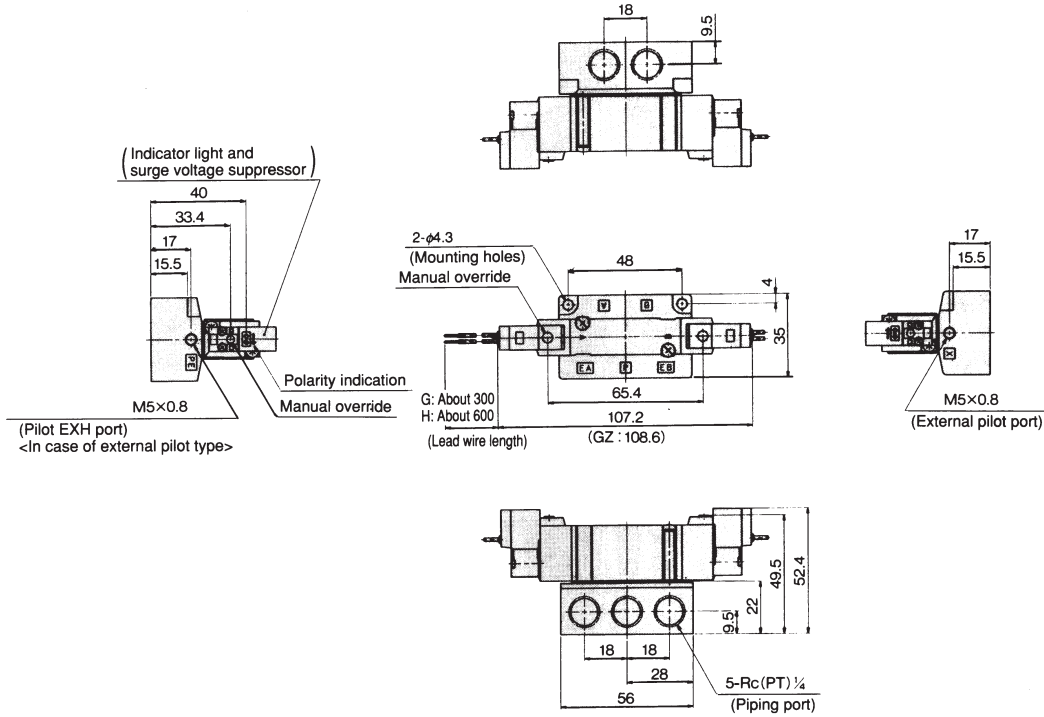


FOR FURTHER TECHNICAL  
DETAILS ON THIS PRODUCT  
REQUEST CATALOGUE  
REFERENCE  
E135-B

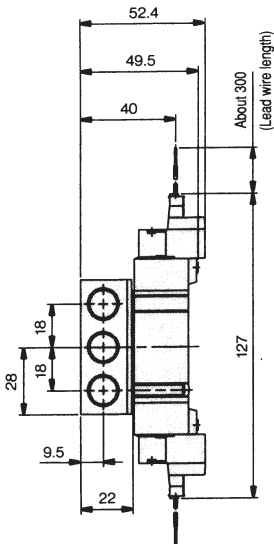
DIMENSIONS  
SY5000

2 position double

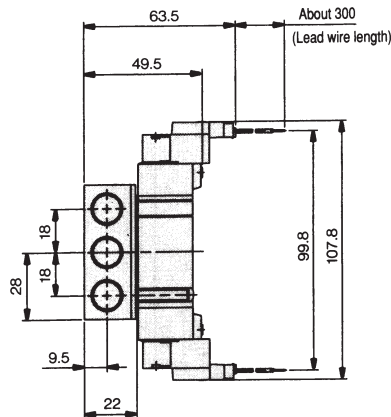
Grommet (G), (H) : SY5240-□<sup>G</sup>□□-02



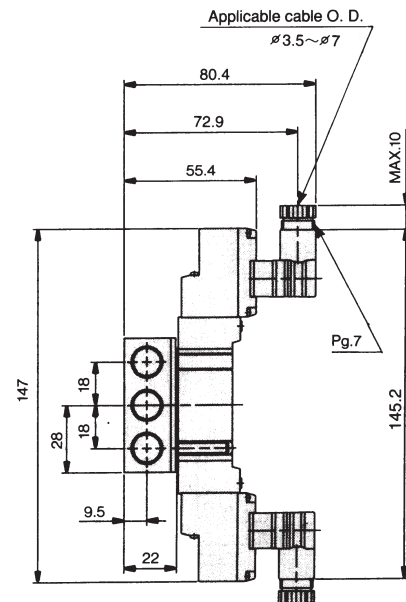
L Type Plug Connector (L) :  
SY5240-□L□□-02



M Type Plug Connector (M) :  
SY5240-□M□□-02



DIN Connector (D) :  
SY5240-□D□□-02



SEE INSIDE FRONT COVER FOR  
DETAILS OF YOUR LOCAL SALES OFFICE



FOR FURTHER TECHNICAL  
DETAILS ON THIS PRODUCT  
REQUEST CATALOGUE  
REFERENCE  
E135-B

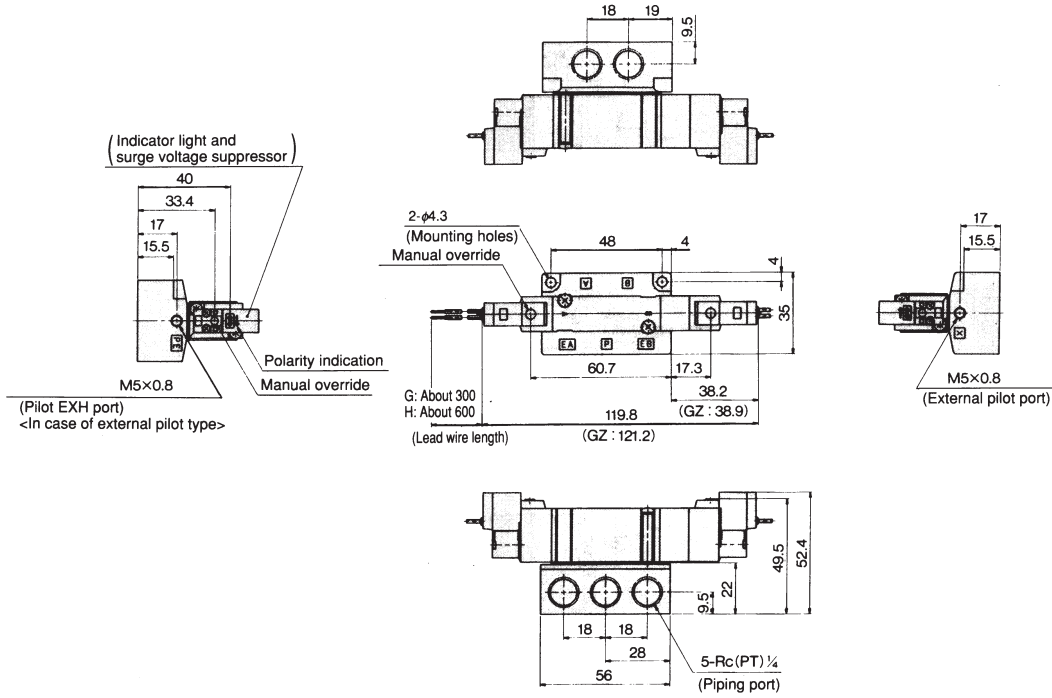


DIMENSIONS  
SY5000

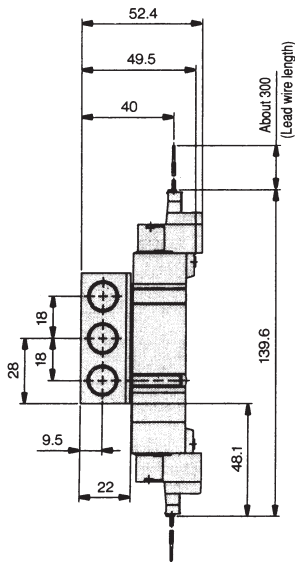
Valves

**3 position closed center / exhaust center / pressure center**

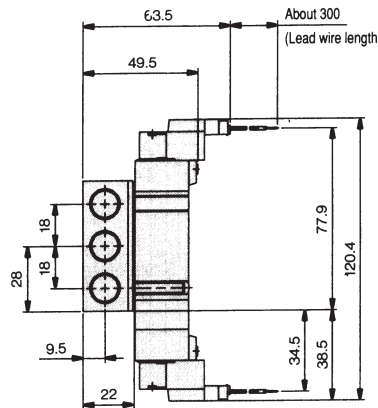
**Grommet (G), (H) : SY5<sup>3/8</sup>40-□<sub>H</sub>□□-02**



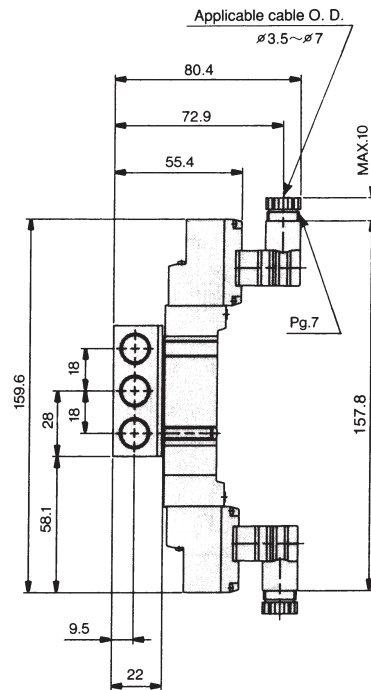
**L Type Plug Connector (L) :**  
**SY5<sup>3/8</sup>40-□L□□-02**



**M Type Plug Connector (M) :**  
**SY5<sup>3/8</sup>40-□M□□-02**



**DIN Connector (D) :**  
**SY5<sup>3/8</sup>40-□D□□-02**



FOR FURTHER TECHNICAL  
DETAILS ON THIS PRODUCT  
REQUEST CATALOGUE  
REFERENCE  
E135-B



ACCESSORIES

Connector series-please see SY3000 section  
 Single subbase = (Rc $\frac{1}{4}$  port) SY7000-27-1  
 Single subbase = (Rc $\frac{3}{8}$  port) SY7000-27-2  
 SY7\*20 porting block- $\frac{1}{4}$ " = SY7000-6A-02  
 SY7\*20 porting block-8mm = SY7000-6A-C8  
 SY5\*20 porting block-10mm = SY7000-6A-C10  
 Side mounting bracket = SX7000-16-1A  
 Foot mounting bracket = SX7000-16-2A

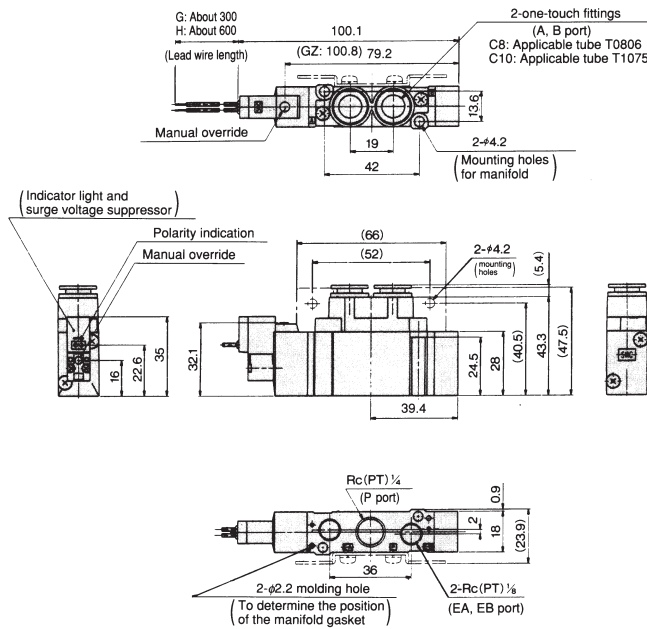
APPLICABLE MANIFOLDS FOR SY7000  
SERIES VALVES

SS5Y7-20 .....For body ported valve  
 SS5Y7-20P.....For body ported valve  
 SS5Y7-42 .....For base mounted valves  
 SS5Y7-42P.....For base mounted valves

DIMENSIONS  
SY7000

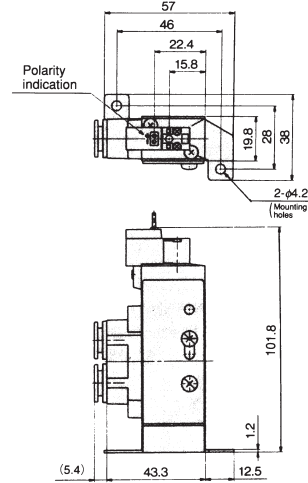
2 position single

Grommet (G), (H) : SY7120-□<sub>G</sub>□<sub>H</sub>□<sub>C8</sub>□<sub>C10</sub>-F2

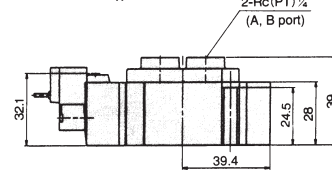


In case of with foot bracket

SY7120-□<sub>G</sub>□<sub>H</sub>□<sub>C8</sub>□<sub>C10</sub>-F1

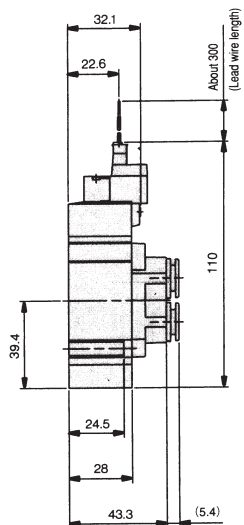


SY7120-□<sub>G</sub>□<sub>H</sub>□<sub>C8</sub>□<sub>C10</sub>-02



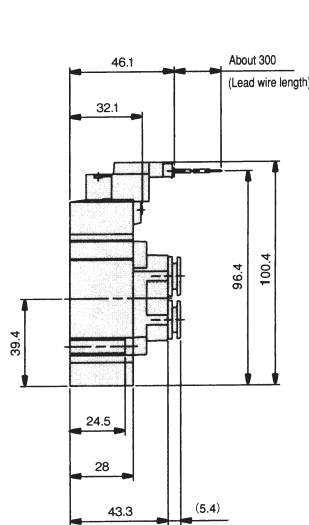
L Type Plug Connector (L) :

SY7120-□<sub>L</sub>□<sub>C8</sub>□<sub>C10</sub>



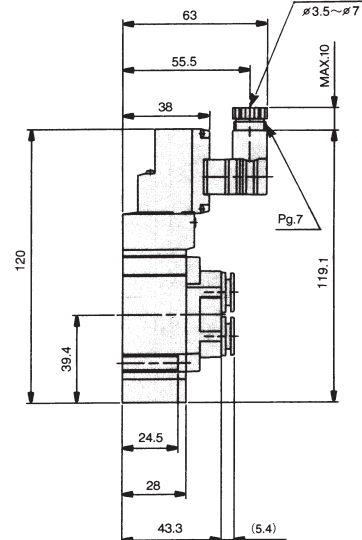
M Type Plug Connector (M) :

SY7120-□<sub>M</sub>□<sub>C8</sub>□<sub>C10</sub>



DIN Connector (D) :

SY7120-□<sub>D</sub>□<sub>C8</sub>□<sub>C10</sub>

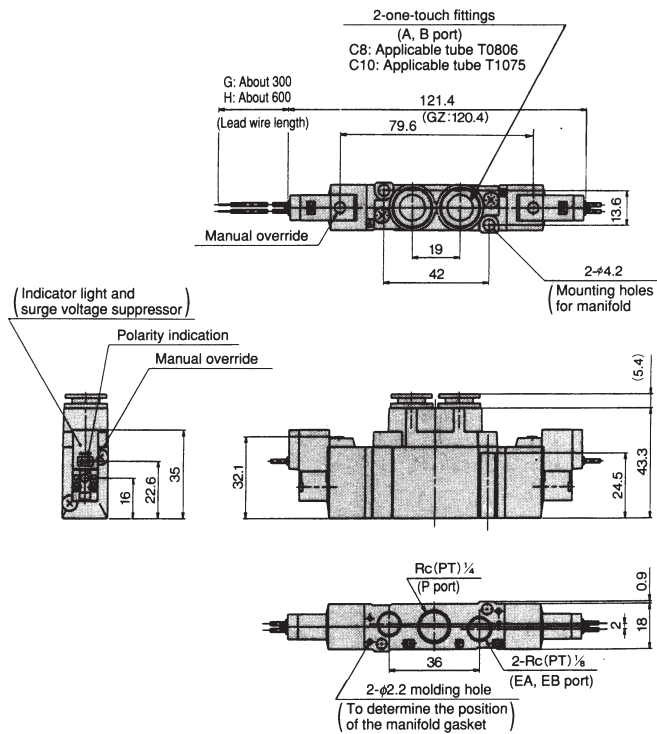


FOR FURTHER TECHNICAL  
DETAILS ON THIS PRODUCT  
REQUEST CATALOGUE  
REFERENCE  
E135-B

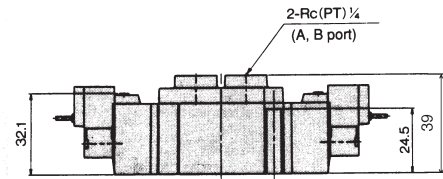
DIMENSIONS  
SY7000

2 position double

Grommet (G), (H) : SY7220-□<sup>G</sup>□□-<sup>C8</sup>□□-<sup>C10</sup>

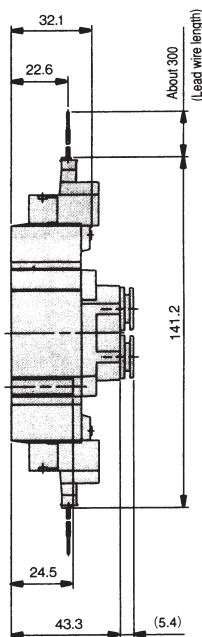


SY7220-□<sup>G</sup>□□-02

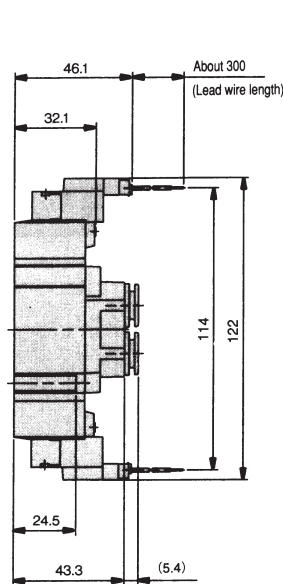


Valves

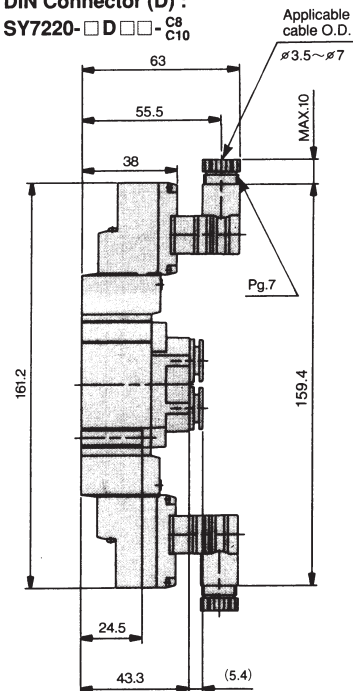
L Type Plug Connector (L) :  
SY7220-□L□□-<sup>C8</sup>□□-<sup>C10</sup>



M Type Plug Connector (M) :  
SY7220-□M□□-<sup>C8</sup>□□-<sup>C10</sup>



DIN Connector (D) :  
SY7220-□D□□-<sup>C8</sup>□□-<sup>C10</sup>



SEE INSIDE FRONT COVER FOR  
DETAILS OF YOUR LOCAL SALES OFFICE



FOR FURTHER TECHNICAL  
DETAILS ON THIS PRODUCT  
REQUEST CATALOGUE  
REFERENCE  
E135-B

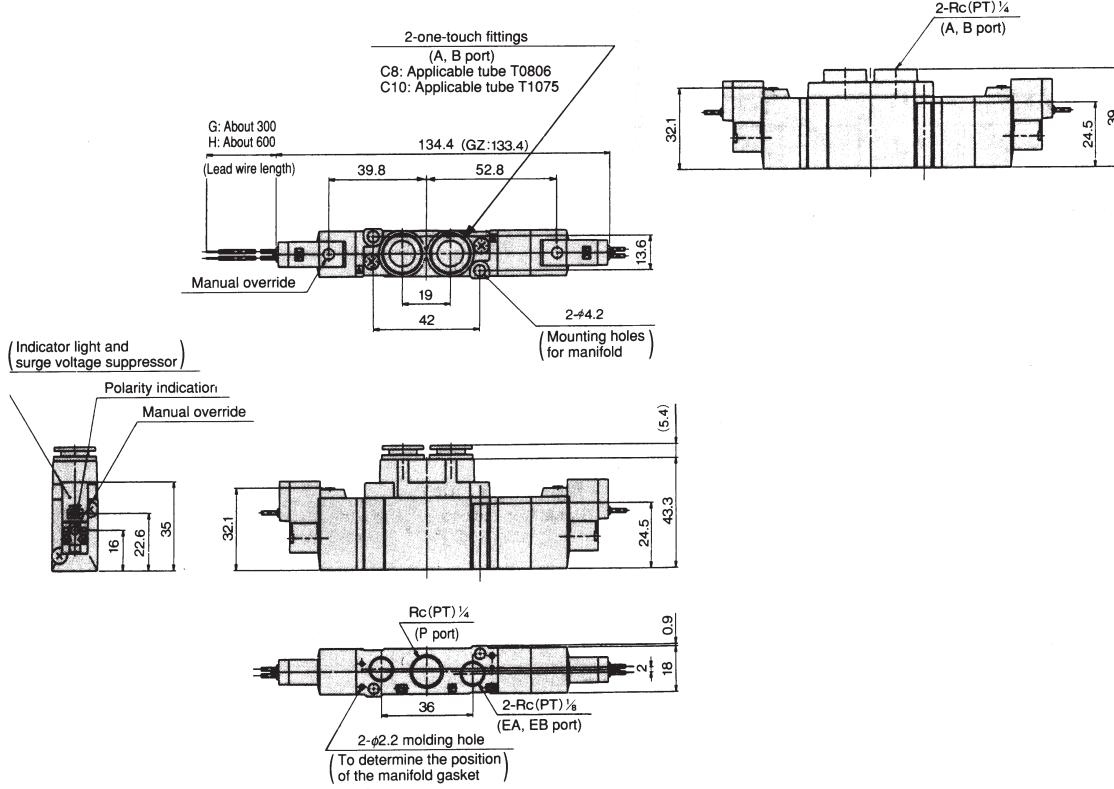
DIMENSIONS  
SY7000

Valves

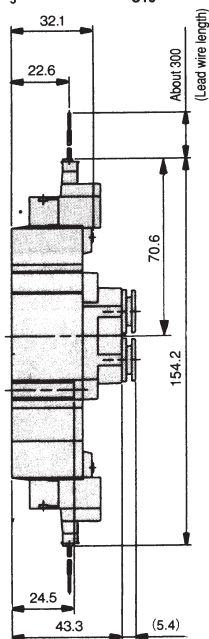
**3 position closed center / exhaust center / pressure center**

**Grommet (G), (H) : SY7 $\frac{3}{8}$ 20-□ $\frac{G}{H}$ □□- $\frac{C8}{C10}$**

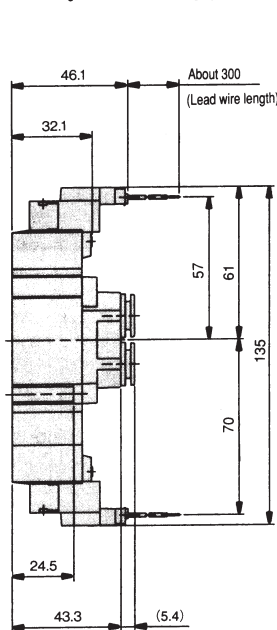
**SY7 $\frac{3}{8}$ 20-□ $\frac{G}{H}$ □□-02**



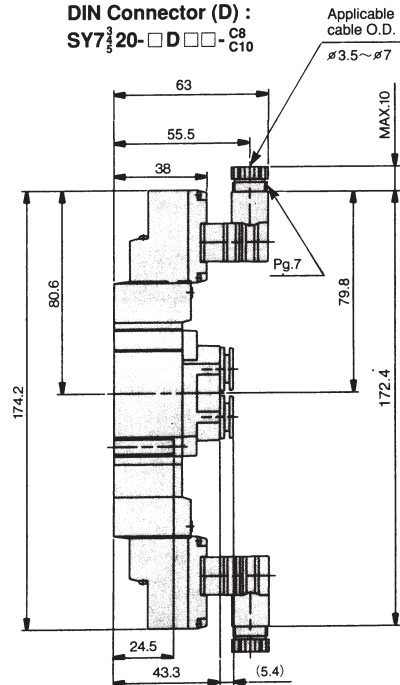
**L Type Plug Connector (L) :**  
SY7 $\frac{3}{8}$ 20-□L□□- $\frac{C8}{C10}$



**M Type Plug Connector (M) :**  
SY7 $\frac{3}{8}$ 20-□M□□- $\frac{C8}{C10}$



**DIN Connector (D) :**  
SY7 $\frac{3}{8}$ 20-□D□□- $\frac{C8}{C10}$

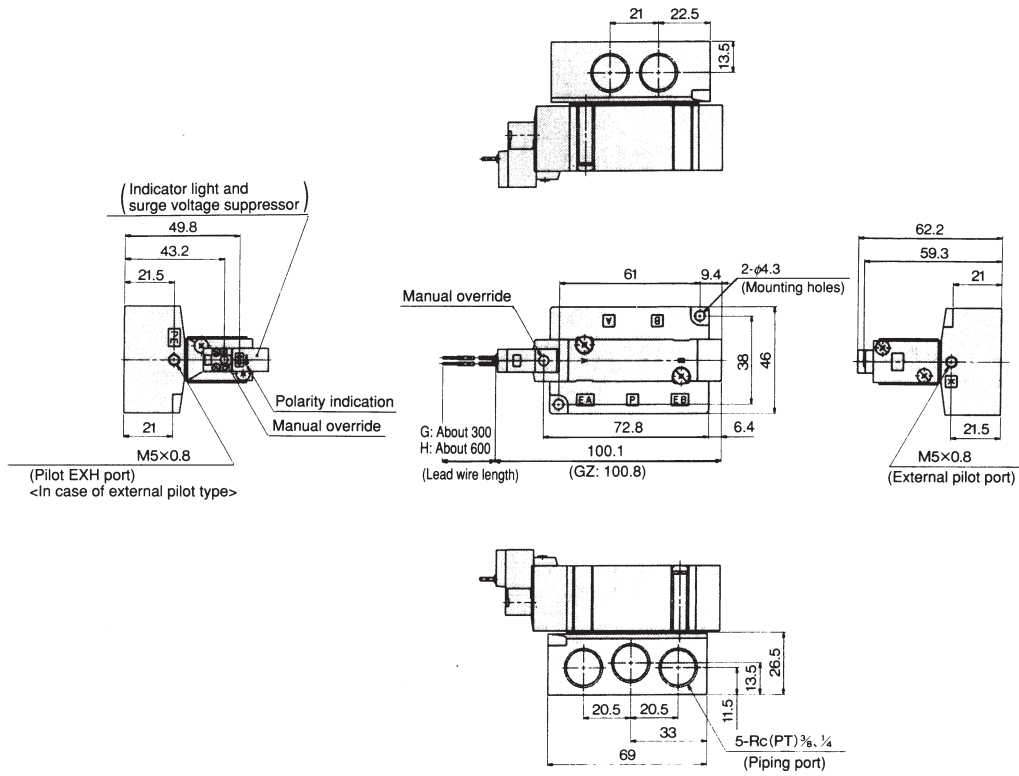


FOR FURTHER TECHNICAL  
DETAILS ON THIS PRODUCT  
REQUEST CATALOGUE  
REFERENCE  
E135-B

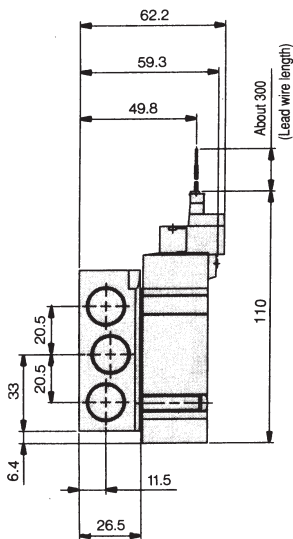
DIMENSIONS  
SY7000

2 position single

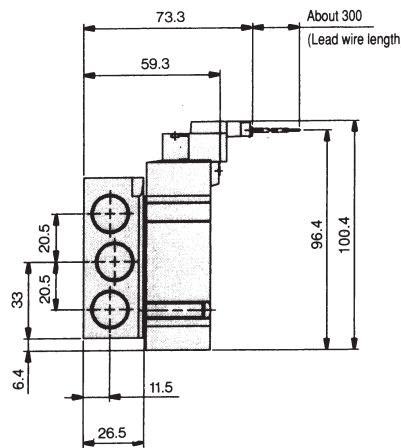
Grommet (G), (H) : SY7140-□<sup>G</sup>□□-02  
□□□□-03



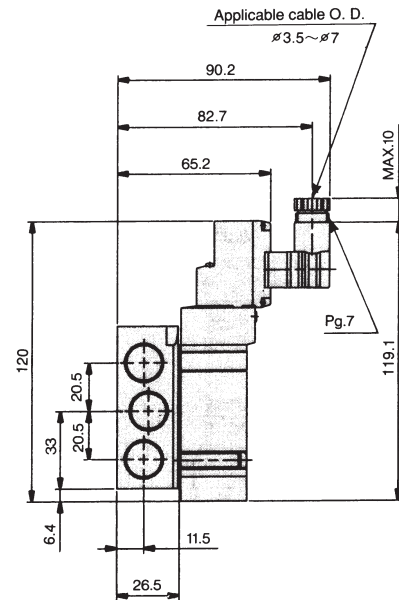
L Type Plug Connector (L) :  
SY7140-□L□□-02  
□□□□-03



M Type Plug Connector (M) :  
SY7140-□M□□-02  
□□□□-03



DIN Connector (D) :  
SY7140-□D□□-02  
□□□□-03



SEE INSIDE FRONT COVER FOR  
DETAILS OF YOUR LOCAL SALES OFFICE



FOR FURTHER TECHNICAL  
DETAILS ON THIS PRODUCT  
REQUEST CATALOGUE  
REFERENCE  
E135-B

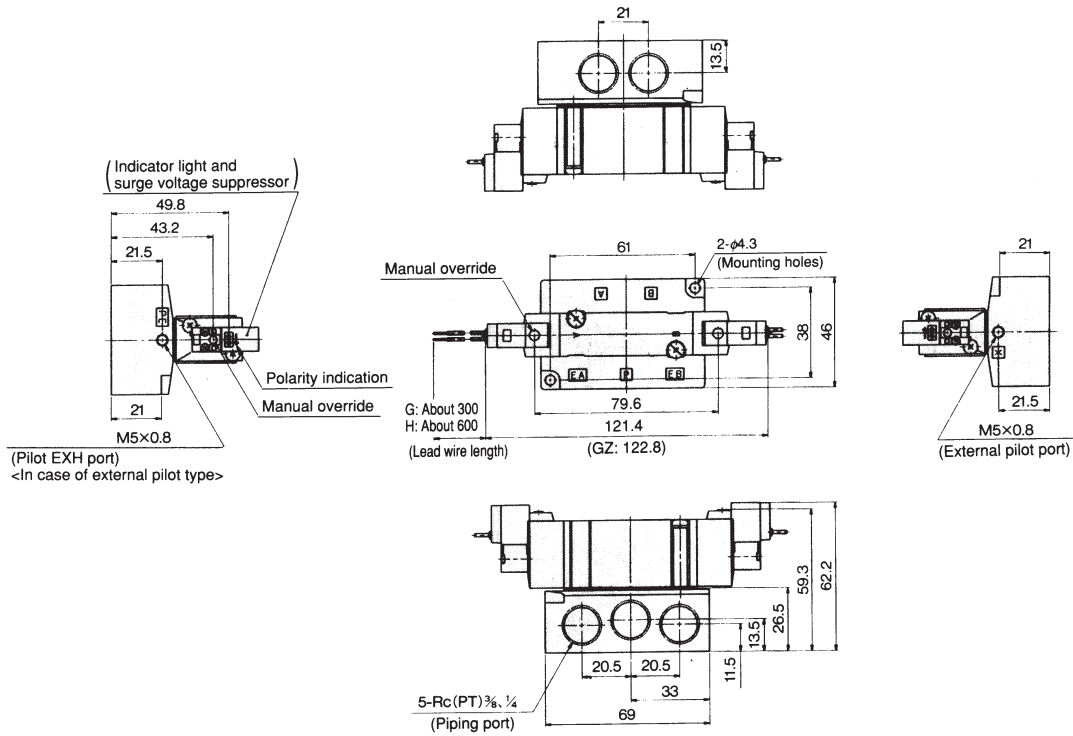


DIMENSIONS  
SY7000

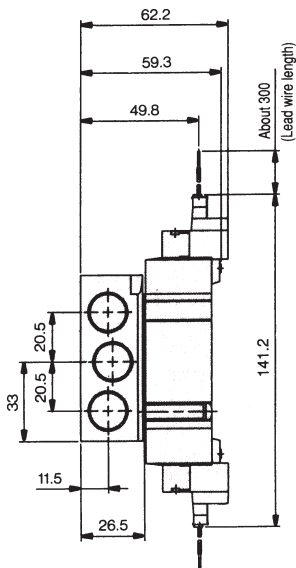
Valves

2 position double

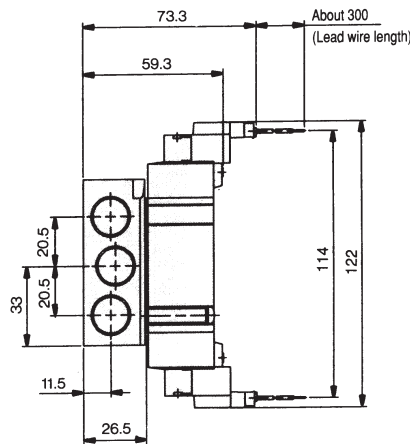
Grommet (G), (H) : SY7240-□<sup>G</sup>□□□-<sup>02</sup><sub>03</sub>



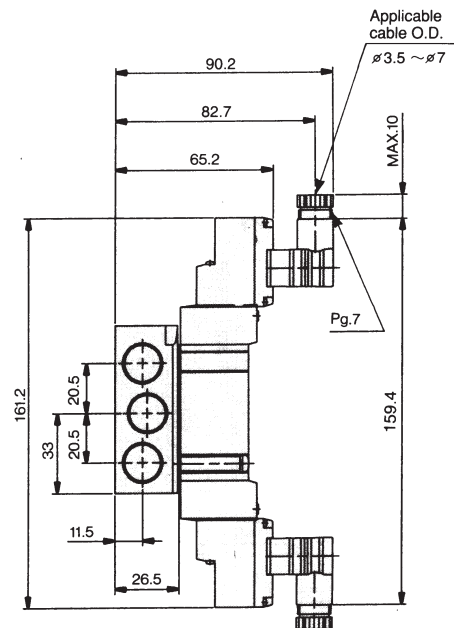
L Type Plug Connector (L) :  
SY7240-□L□□□-<sup>02</sup><sub>03</sub>



M Type Plug Connector (M) :  
SY7240-□M□□□-<sup>02</sup><sub>03</sub>



DIN Connector (D) :  
SY7240-□D□□□-<sup>02</sup><sub>03</sub>

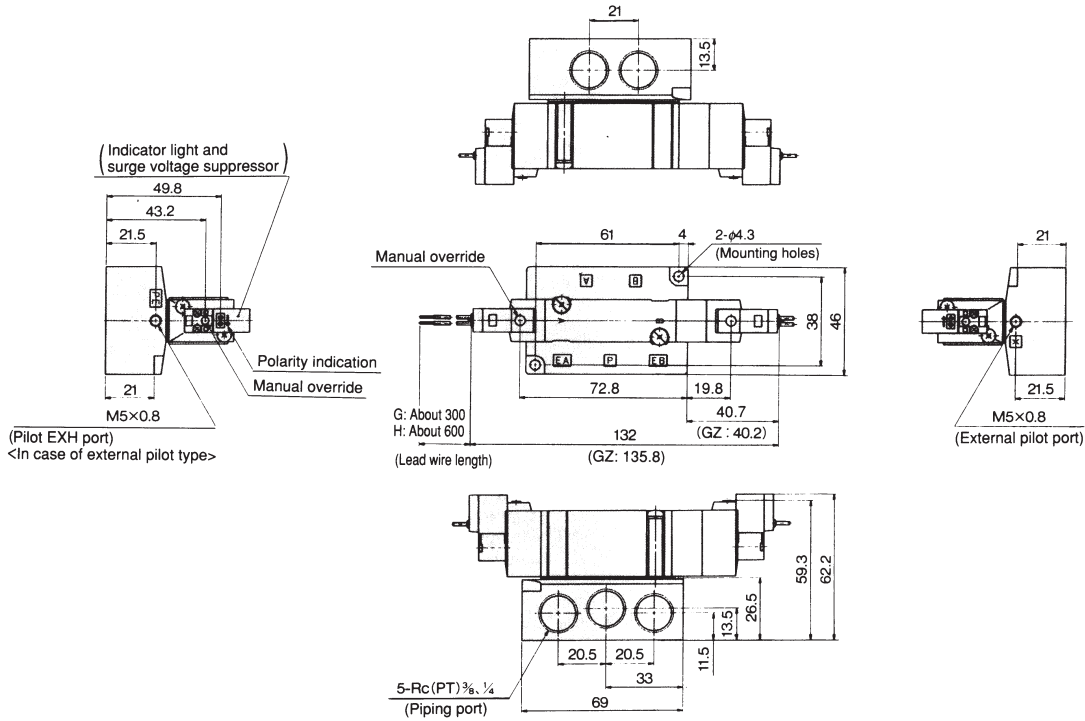


FOR FURTHER TECHNICAL  
DETAILS ON THIS PRODUCT  
REQUEST CATALOGUE  
REFERENCE  
E135-B

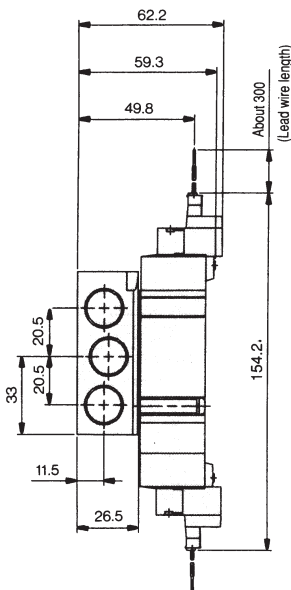
DIMENSIONS  
SY7000

3 position closed center / exhaust center / pressure center

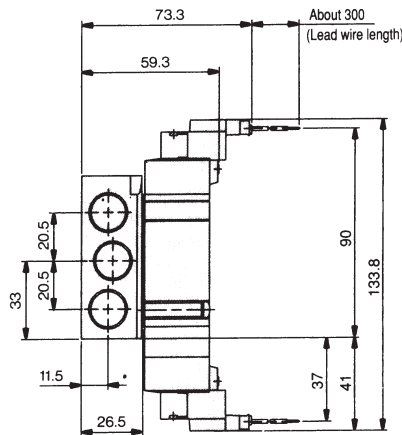
Grommet (G), (H) : SY7 $\frac{3}{4}$ 40-□□□□- $\frac{02}{03}$



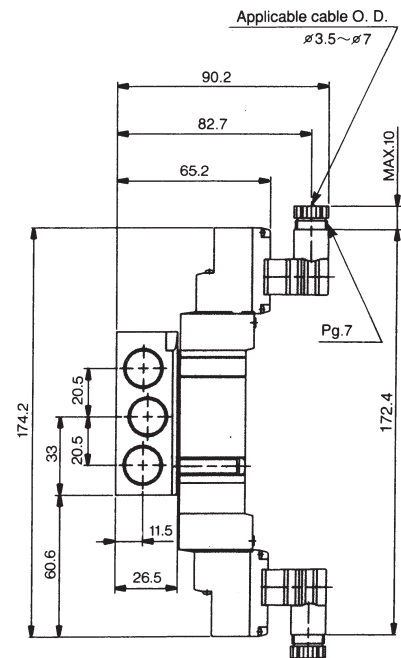
L Type Plug Connector (L) :  
SY7 $\frac{3}{4}$ 40-□□□□- $\frac{02}{03}$



M Type Plug Connector (M) :  
SY7 $\frac{3}{4}$ 40-□□□□- $\frac{02}{03}$



DIN Connector (D) :  
SY7 $\frac{3}{4}$ 40-□□□□- $\frac{02}{03}$



SEE INSIDE FRONT COVER FOR  
DETAILS OF YOUR LOCAL SALES OFFICE



FOR FURTHER TECHNICAL  
DETAILS ON THIS PRODUCT  
REQUEST CATALOGUE  
REFERENCE  
E135-B