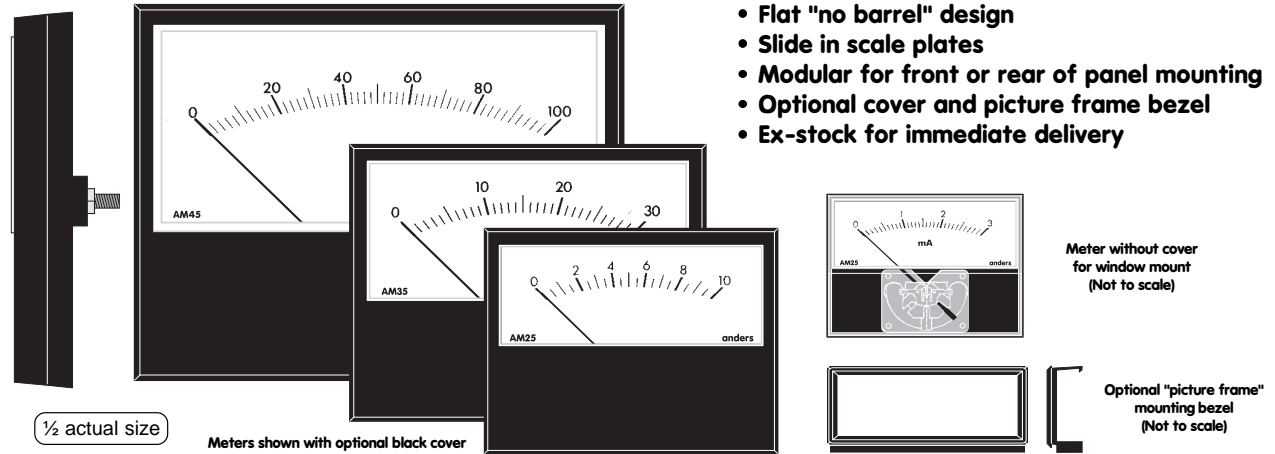


Acclaim series - 'Flat' short scale meters Moving coil



ACCLAIM 'FLAT' PROFILE METERS

Attractive slim style 'flat' meters incorporating an ultra thin sandwich type movement. Normal surface mounting using the two insulated input terminals, saves space behind the panel and eliminates the need for complex barrel cut-outs. Can also replace conventional barrel meters using the four corner screw fixings provided. Alternatively, the Acclaim range can be rear mounted via a simple window cut out in the panel or using the optional picture frame bezel.

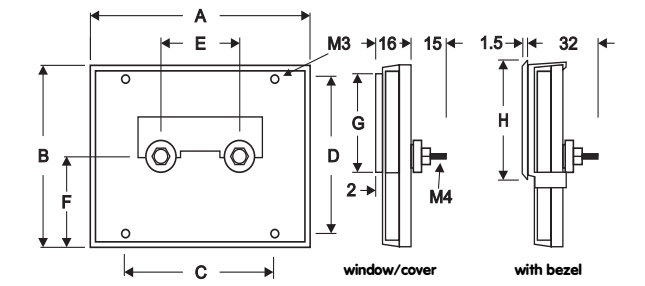
Application: For instrument panels, hand held equipment, process control and test equipment.

Construction: The meters are housed in a black plastic case assembly with clear acrylic front. The optional black cover or picture frame bezel, clips over the front of the meter concealing all but the viewing window. To avoid damage to the pointer or movement, a rear compartment between the terminals is accessible for fitting ranging components and the scale can slide in from the side, eliminating the need to open the meter.

Movements: The meters are supplied with unique ultra thin sandwich type movements. They are of robust taut band moving coil construction giving excellent shock and vibration resistance. They have a linear scale shape and flattened arc.

Dimensions

	Window		Cover		Cut outs							
	A	B	A	B	C	D	E	F	G	H	Win	Bez
AM25	78	60	81.5	63.5	48	48	50	36	71.5	81.2	81.5	79.5
									x	x	x	x
AM35	95.5	75	99.5	78.5	57	57	50	41	89.5	99.2	99.5	97.4
									x	x	x	x
AM45	132	102	135.5	105.5	100	90	50	56	126	135.2	135.5	133.4
									x	x	x	x



To surface mount, drill 2 x 8mm holes for terminals (and fixing) with centres at dimension E, F and 4 x 3.5mm holes with centres at dimensions C, D (optional).

Specifications

	AM25	AM35	AM45
Scale length:	45	65	95
Accuracy:	1.5		
Deflection angle:	90°		
Standard pointer:	Black tubular		
Operating temperature:	0-50°C		
Calibration position:	For vertical mounting		

Ordering information

Order Code	Size	Range	Rec. Price £:			
			5+	10+	25+	50+
METERS						
AM25UA100	AM25	0-100µA DC				
AM25MA1	AM25	0-1mA DC				
AM25MV75	AM25	0-75mV DC				
AM35UA100	AM35	0-100µA DC				
AM35MA1	AM35	0-1mA DC				
AM35MV75	AM35	0-75mV DC				
AM45UA100	AM45	0-100µA DC				
AM45MA1	AM45	0-1mA DC				
AM45MV75	AM45	0-75mV DC				
ANXILLARIES						
CAM25	AM25	Black Cover				
BAM25	AM25	Black Bezel				
SAM25/0	AM25	Blank scale				
SAM25/10	AM25	0-10 scale				
SAM25/30	AM25	0-30 scale				
SAM25/100	AM25	0-100 scale				
CAM35	AM35	Black Cover				
BAM35	AM35	Black Bezel				
SAM35/0	AM35	Blank scale				
SAM35/10	AM35	0-10 scale				
SAM35/30	AM35	0-30 scale				
SAM35/100	AM35	0-100 scale				
CAM45	AM45	Black Cover				
BAM45	AM45	Black Bezel				
SAM45/0	AM45	Blank scale				
SAM45/10	AM45	0-10 scale				
SAM45/30	AM45	0-30 scale				
SAM45/100	AM45	0-100 scale				

AVAILABLE DIRECT FROM ANDERS

anderson electronics plc Bayham Place, London NW1 OEU UK
 Tel: +44 (0)20 7380 8167 Fax: +44 (0)20 7874 1908 www.meters.anders.co.uk

acclaim_stock.p65 prelim1 13/05/99