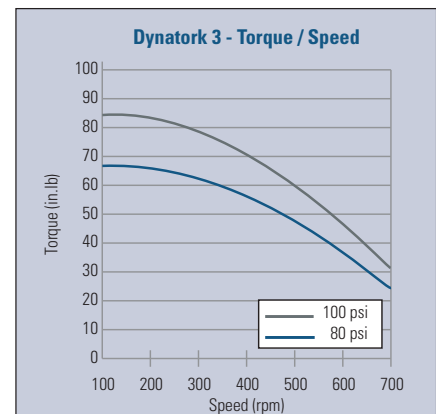
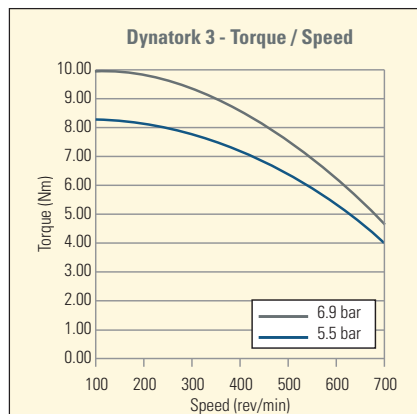
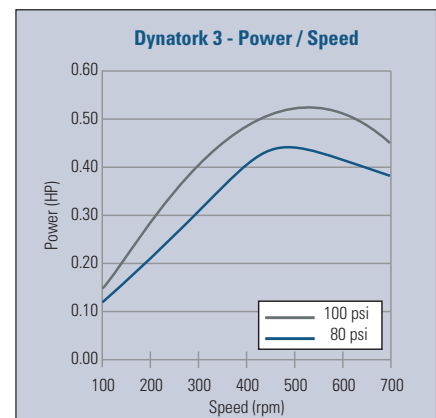
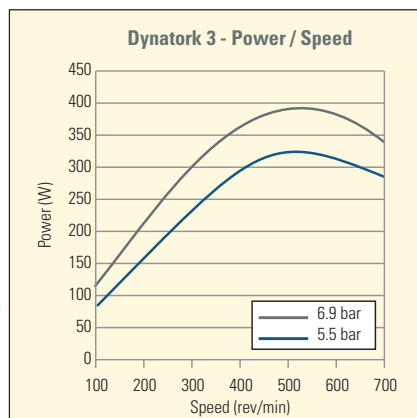


Key data : Dynatork 3	Metric	Imperial
Speed range	150 - 700 rpm	150 - 700 rpm
Torque at 200 rpm / 6.9 bar (100 psi)	9.9 Nm	87 in.lb
Torque at 700 rpm / 6.9 bar (100 psi)	4.6 Nm	41 in.lb
Max air consumption 700 rpm / 6.9 bar	21.6 m3/h	12.7 ft3/min
Shaft Diameter	12.7mm	0.5"
Weight	3.75 kg	8.27 lb
Ports	1/4" BSP	1/4" BSP

Performance (metric)

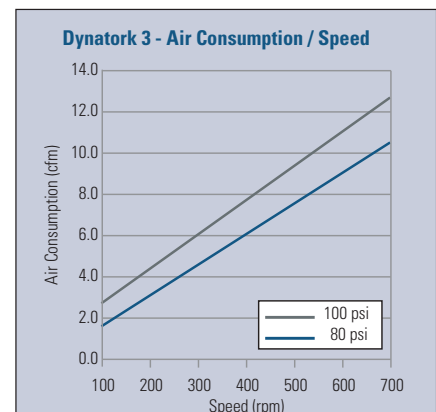
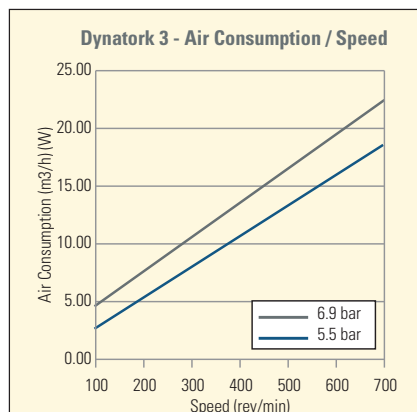
Performance (imperial)



Order Codes : Dynatork 3

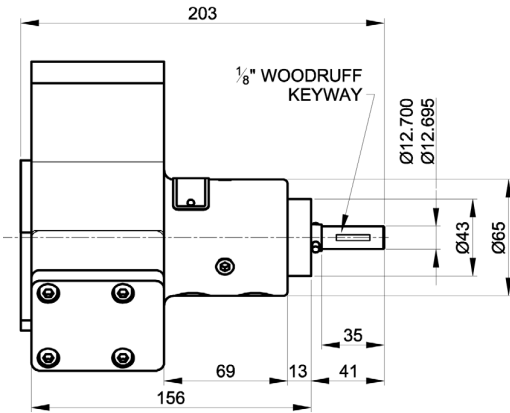
Item Number	Lubrication	Mounting Type
930.30.A	yes	Body
930.30.B	yes	Base
930.30.C	yes	Flange
930.35.A	non-lube	Body
930.35.B	non-lube	Base
930.35.C	non-lube	Flange

- **Lube:** for use with a lubricated air supply
- **Non-Lube:** for use with a dry, clean, non-lubricated air supply

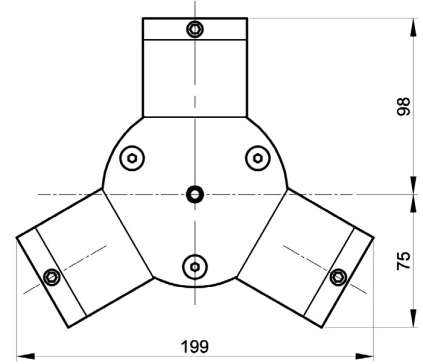
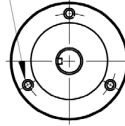


Mounting Options

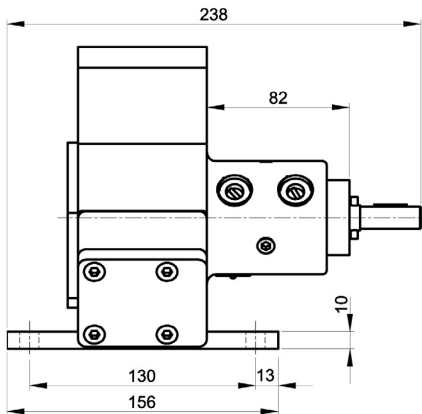
Body Mounting



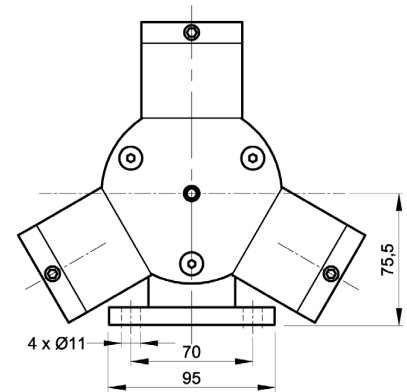
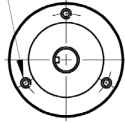
3 HOLES M6
EQUI-SPACED
ON A 54 PCD



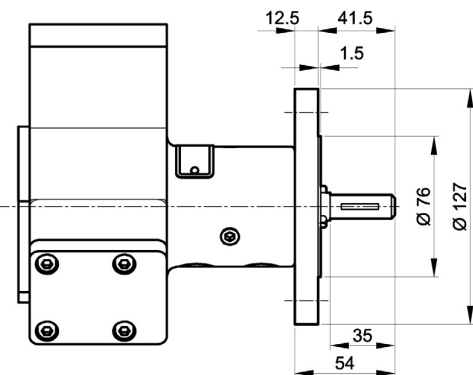
Base Mounting



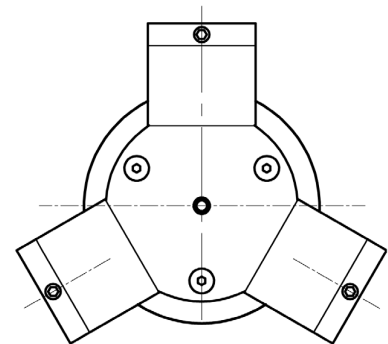
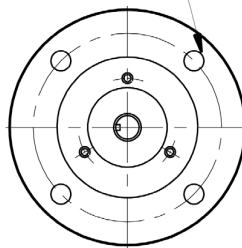
3 HOLES M6
EQUI-SPACED
ON A 54 PCD



Flange Mounting



4 HOLES Ø11 EQUI-SPACED
ON A 101,6 PCD



*NEMA Flanges available