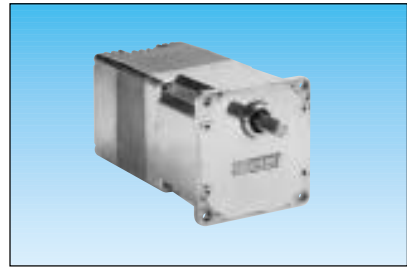


BRUSHLESS DC geared motors

- All-metal gearbox, with ball bearing on output shaft
- Speed range : 1.5 to 806 rpm
- Torque rating : 0.3 to 5 Nm depending on reduction ratio
- Associated Brushless motor : 30 watts max.



OPTIONS : on request

- Special reduction ratio
- Special greasing
- Shaft adaptation
- Stainless steel shaft option
- Motor : see page 1/55

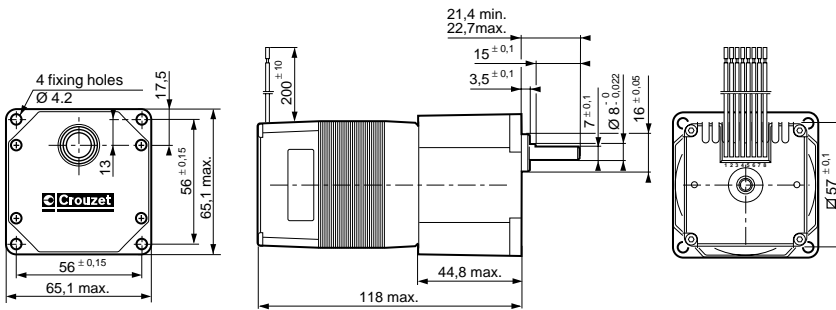
Types

		80 035 5	80 035 5
Nominal voltage		24 V	24 V
Gearbox output speeds (rpm)		Part numbers	
Without speed regulation		●	
With speed regulation		●	
10%	100% of speed (rpm)	Ratios	
81 to 806		4.22	
51 to 504		6.75	
45 to 444		7.66	
28 to 278		12.25	
23 to 222		15.31	
14 to 139		24.5	
9 to 89		38.28	
7 to 69		49	
6 to 56		61.25	
3 to 28		122.5	
1.5 to 14		245	

General characteristics

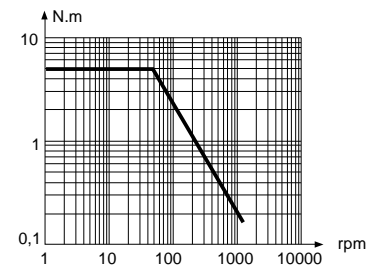
Motor		80 030	80 030
Gearbox		81 035 5	81 035 5
Maximum permitted gearbox torque in steady state	Nm	5	5
Axial load (dynamic)	daN	6	6
Radial load (dynamic)	daN	6	6
Nominal usable power	W	24	24
Casing temperature	°C	58	58
Weight	g	1300	1300

Dimensions



Curve : nominal torque/speed

The unbroken line represents the maximum operating ranges for the geared motors in continuous operation.



To order, specify :

Standard products

3

Part number

Example : Brushless DC geared motor - 80 035 502

Standard products, non stocked

1

Type

2

Nominal voltage

3

Output speed

Example : BRUSHLESS DC geared motor - 80 035 5 - 24 V - With speed regulation 222 rpm.