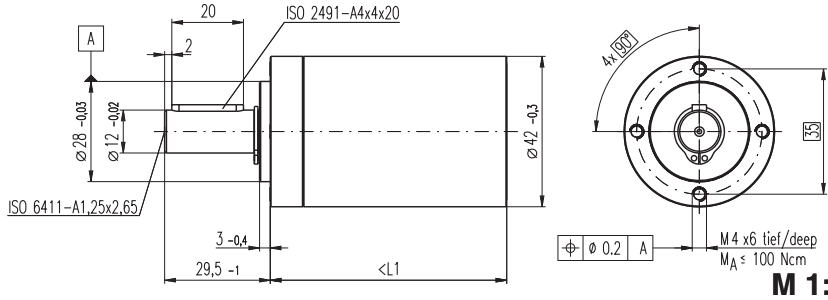


Planetary Gearhead GP 42 C $\varnothing 42$ mm, 3 - 15 Nm

Ceramic Version



Technical Data

Planetary Gearhead	straight teeth
Output shaft	stainless steel
Bearing at output	preloaded ball bearings
Radial play, 12 mm from flange	max. 0.06 mm
Axial play at axial load	< 5 N 0 mm > 5 N max. 0.3 mm
Max. permissible axial load	150 N
Max. permissible force for press fits	300 N
Sense of rotation, drive to output	=
Recommended input speed	< 8000 rpm
Recommended temperature range	-20 ... +100°C
Extended area as option	-35 ... +100°C
Number of stages	1 2 3 4
Max. radial load, 12 mm from flange	120 N 150 N 150 N 150 N

maxon gear

- Stock program
- Standard program
- Special program (on request)

Order Number

	203113	203115	203119	203120	203124	203129	203128	203133	203137	203141
Gearhead Data										
1 Reduction	3.5 : 1	12 : 1	26 : 1	43 : 1	81 : 1	156 : 1	150 : 1	285 : 1	441 : 1	756 : 1
2 Reduction absolute	7/2	49/4	26	343/8	2197/27	156	2401/16	15379/54	441	756
3 Mass inertia gcm ²	14	15	9.1	15	9.4	9.1	15	15	14	14
4 Max. motor shaft diameter mm	10	10	8	10	8	8	10	10	10	10
Order Number	203114	203116		203121	203125		203130	203134	203138	203142
1 Reduction	4.3 : 1	15 : 1		53 : 1	91 : 1		186 : 1	319 : 1	488 : 1	936 : 1
2 Reduction absolute	13/3	91/6		637/12	91		4459/24	637/2	4394/3	936
3 Mass inertia gcm ²	9.1	15		15	15		15	15	9.4	9.1
4 Max. motor shaft diameter mm	8	10		10	10		10	10	8	8
Order Number		203117		203122	203126		203131	203135	203139	
1 Reduction		19 : 1		66 : 1	113 : 1		230 : 1	353 : 1	546 : 1	
2 Reduction absolute		169/9		1183/18	338/3		8281/36	28561/81	546	
3 Mass inertia gcm ²		9.4		15	9.4		15	9.4	14	
4 Max. motor shaft diameter mm		8		10	8		10	8	10	
Order Number		203118		203123	203127		203132	203136	203140	
1 Reduction		21 : 1		74 : 1	126 : 1		257 : 1	394 : 1	676 : 1	
2 Reduction absolute		21		147/2	126		1029/4	1183/3	676	
3 Mass inertia gcm ²		14		15	14		15	15	9.1	
4 Max. motor shaft diameter mm		10		10	10		10	10	8	
5 Number of stages		1	2	2	3	3	3	4	4	4
6 Max. continuous torque Nm		3.0	7.5	7.5	15.0	15.0	15.0	15.0	15.0	15.0
7 Intermittently permissible torque at gear output Nm		4.5	11.3	11.3	22.5	22.5	22.5	22.5	22.5	22.5
8 Max. efficiency %		90	81	81	72	72	72	64	64	64
9 Weight g		260	360	360	460	460	460	560	560	560
10 Average backlash no load °		0.3	0.4	0.4	0.5	0.5	0.5	0.5	0.5	0.5
11 Gearhead length L1 mm		40.9	55.4	55.4	69.9	69.9	69.9	84.4	84.4	84.4



maxon Modular System

+ Motor	Page	+ Sensor	Page	+ Brake	Page	Overall length [mm] = Motor length + gearhead length + (sensor / brake) + assembly parts							
EC 45, 250 W	159					185.0	199.5	199.5	214.0	214.0	214.0	228.5	228.5
EC 45, 250 W	159	HEDL 9140	273			200.6	215.1	215.1	229.6	229.6	244.1	244.1	244.1
EC 45, 250 W	159	Res 26	278			185.0	199.5	199.5	214.0	214.0	214.0	228.5	228.5
EC 45, 250 W	159			AB 28	317	192.4	206.9	206.9	221.4	221.4	235.9	235.9	235.9
EC 45, 250 W	159	HEDL 9140	273	AB 28	317	209.4	223.9	223.9	238.4	238.4	252.9	252.9	252.9
EC-max 30, 60 W	171					105.0	119.5	119.5	134.0	134.0	134.0	148.5	148.5
EC-max 30, 60 W	171	MR	264			117.2	131.7	131.7	146.2	146.2	160.7	160.7	160.7
EC-max 30, 60 W	171	HEDL 5540	271			125.6	140.1	140.1	154.6	154.6	169.1	169.1	169.1
EC-max 30, 60 W	171			AB 20	314	140.6	155.1	155.1	169.6	169.6	184.1	184.1	184.1
EC-max 30, 60 W	171	HEDL 5540	271	AB 20	314	164.6	179.1	179.1	193.6	193.6	208.1	208.1	208.1
EC-max 40, 70 W	172					99.0	113.5	113.5	128.0	128.0	142.5	142.5	142.5
EC-max 40, 70 W	172	MR	265			114.9	129.4	129.4	143.9	143.9	158.4	158.4	158.4
EC-max 40, 70 W	172	HEDL 5540	271			122.4	136.9	136.9	151.4	151.4	165.9	165.9	165.9
EC-max 40, 70 W	172			AB 28	315	139.0	153.5	153.5	168.0	168.0	182.5	182.5	182.5
EC-max 40, 70 W	173	HEDL 5540	271	AB 28	315	162.4	176.9	176.9	191.4	191.4	205.9	205.9	205.9
EC-power 30, 100 W	179					88.0	102.5	102.5	117.0	117.0	131.5	131.5	131.5
EC-power 30, 100 W	179	MR	264			100.2	114.7	114.7	129.2	129.2	143.7	143.7	143.7
EC-power 30, 100 W	179	HEDL 5540	272			108.6	123.1	123.1	137.6	137.6	152.1	152.1	152.1
EC-power 30, 100 W	179			AB 20	314	124.2	138.7	138.7	153.2	153.2	167.7	167.7	167.7
EC-power 30, 100 W	179	HEDL 5540	272	AB 20	314	145.0	159.5	159.5	174.0	174.0	188.5	188.5	188.5
EC-power 30, 200 W	180					105.0	119.5	119.5	134.0	134.0	148.5	148.5	148.5
EC-power 30, 200 W	180	MR	264			117.2	131.7	131.7	146.2	146.2	160.7	160.7	160.7
EC-power 30, 200 W	180	HEDL 5540	272			125.6	140.1	140.1	154.6	154.6	169.1	169.1	169.1
EC-power 30, 200 W	180			AB 20	314	141.2	155.7	155.7	170.2	170.2	184.7	184.7	184.7
EC-power 30, 200 W	180	HEDL 5540	272	AB 20	314	162.0	176.5	176.5	191.0	191.0	205.5	205.5	205.5
MCD EPOS, 60 W	311					161.0	175.5	175.5	190.0	190.0	204.5	204.5	204.5
MCD EPOS P, 60 W	311					161.0	175.5	175.5	190.0	190.0	204.5	204.5	204.5