

566-251

LS-4 SERIES  
CHART 1

M

DRAWING NUMBER

ISSUE 18

REVISIONS  
18 28.6.90  
MS11507

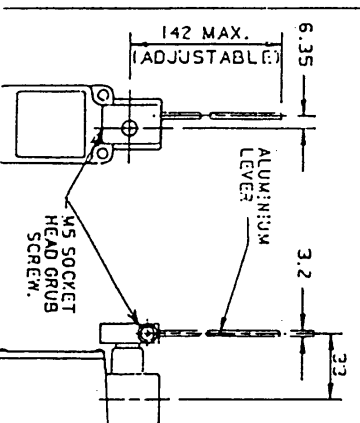
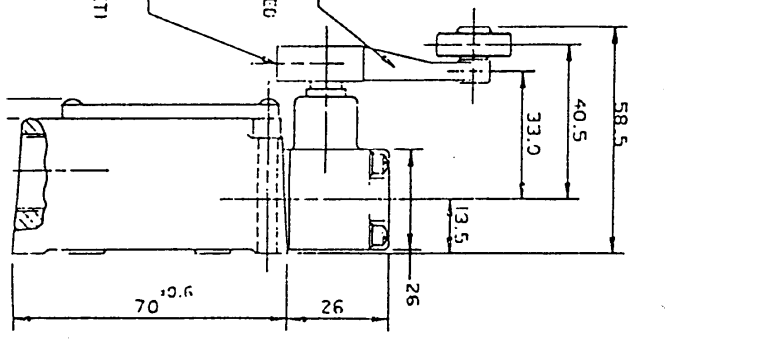
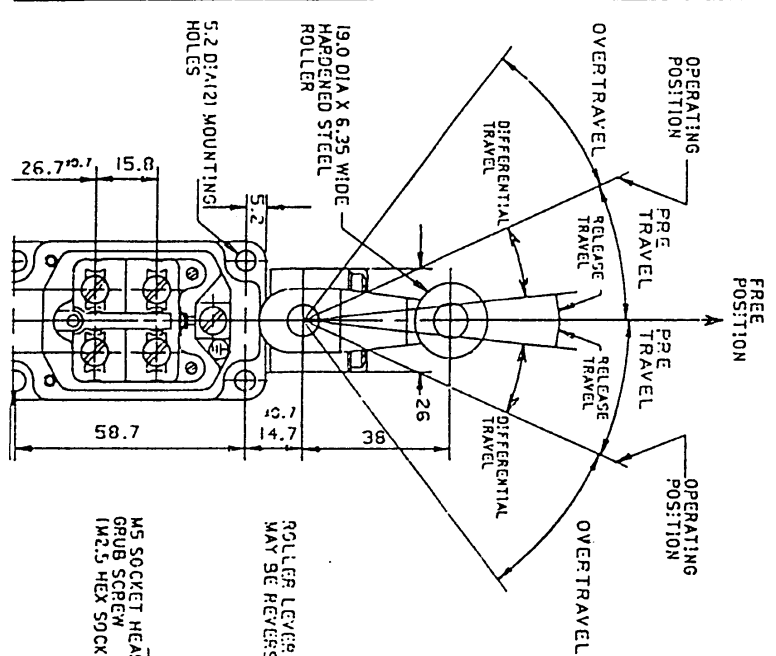
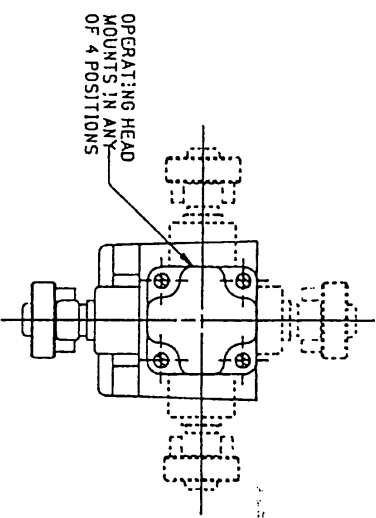
RELEASE NUMBER M5EN32-5

REPLACES METRIC LS SERIES - CHART 1.

Honeywell

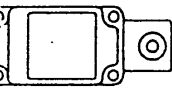
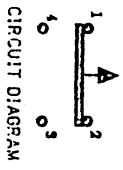
SWITCH ENCLOSED

CATALOGUE LISTING  
LS-4 SERIES  
CHART 1



- NOTES:-
1. ALUMINIUM HOUSING AND COVER FINISHED IN GREY PAINT
  2. THIS SWITCH IS ASSEMBLED FOR ACTUATION IN EITHER DIRECTION
  3. TO CONVERT SWITCH FOR ACTUATION IN EITHER THE CLOCKWISE OR COUNTER CLOCKWISE DIRECTION ONLY REMOVE THE ACTUATOR HEAD AND ROTATE THE NOTCHED PLUNGER 90° TO THE RIGHT FOR CLOCKWISE ACTUATION OR 90° TO THE LEFT FOR COUNTER CLOCKWISE ACTUATION.
  4. ROLLER LEVER MAY BE LOCKED IN ANY POSITION THROUGH 360°
  5. A CHOICE OF THREE CONDUIT THREADS IS AVAILABLE (SEE CHART OPPOSITE)
  6. LISTINGS WITH 1/4" SUFFIX HAVE 20MM TO BS.4563 CONDUITS FOR PG 11 CONDUIT SUFFIX THE LISTING 4PG 11 (E.G. LS1-4PG 11) THROUGH THE CONDUIT OPENING TO OBTAIN THE FULL BENEFIT OF THE SEALED CONSTRUCTION PROVIDED IN THIS UNIT.
  7. LEVER FURNISHED UNASSEMBLED IN UNIT PACKING BOX.
  8. PROPRRIETARY - K.W.U. ONLY.
  9. GOLD ALLOY CONTACTS : 1- STATIONARY 75% AU, 25% AG  
2- MOVING 72% AU, 26% AG, 2% NI

NO ROLLER.  
SPECIAL EARTH AND TERMINAL SCREWS.



CIRCUIT DIAGRAM

NO ACTUATOR FORCES MEASURED AT 38MM RADIIUS.

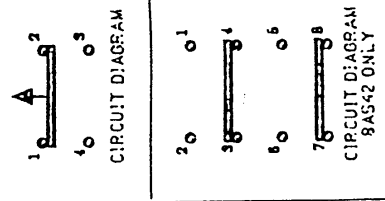
SEE NOTE 9

REMARKS	BASIC SWITCH	O.T. FORCE
	2M1-M	1.815 KMAX
	54542-28	1.815 KMAX
	9A542-28	1.815 KMAX
SOLDER TERMINALS	2M8-M	1.815 KMAX
	2M24	1.815 KMAX
HIGH TEMP. CONSTR.	2M24	1.815 KMAX
HIGH TEMP. CONSTR. VITON W/O-RINGS	2M24-N	1.815 KMAX
HIGH TEMP. GOLD CONTACTS	2M24-F1	1.815 KMAX
NYLON ROLLER ST. ST. SCREWS	2M1-M	1.815 KMAX
HIGH TEMP. CONSTR. GOLD PLATED CONTACTS	2M24-N3	1.815 KMAX
HIGH TEMP. CONSTR. VITON W/O RINGS	2M24	1.815 KMAX
	2M8-M	1.815 KMAX
	2M1-M	1.815 KMAX
	2M1-M	1.815 KMAX
HEAD ASSY. ROTATED 180°	2M8-M	1.815 KMAX
	2M8-M	1.815 KMAX
	2M8-M	1.815 KMAX
	2M1-M	1.815 KMAX
NO O-RING ON SHAFT.	2M1-M	1.815 KMAX
HIGH TEMP.	9A542-28	1.815 KMAX
	2M24-F1	1.815 KMAX
	2M8-MNS	1.815 KMAX
HIGH TEMP.	2M24-N2	1.815 KMAX
	2M1-M	1.815 KMAX
	2M8-M	1.815 KMAX
	2M1-M	1.815 KMAX
	2M1-M	1.815 KMAX
TO WORK AT -40°C	2M1-M	0.56 KMAX
NO O-RING ON SHAFT	2M1-M	1.815 KMAX
	9A542-28	1.815 KMAX
LOW FORCE HEAD ASSEMBLY	8A542-28	1.815 KMAX



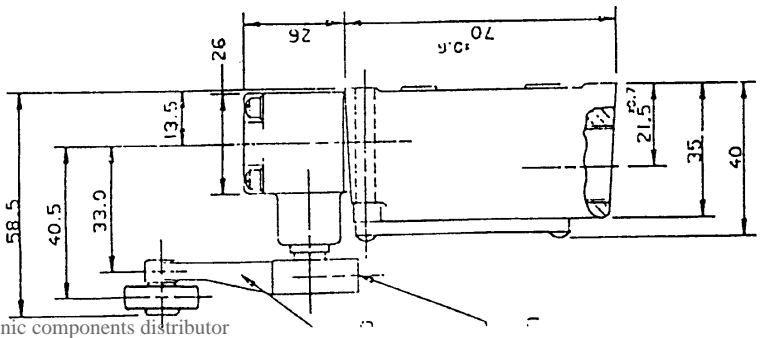
2- MOVING 72% AU, 26% AG, 2% NI

ALLER.  
AL EARTH AND TERMINAL SCREWS.



NO ACTUATOR FORCES MEASURED AT 38MM RADIUS.

SEE NOTE A



SCALE: 0.8

BREAK DISTANCES AND DIMENSIONS ARE IN MM

FIG NO. 4  
±0.0054

FIG NO. 3  
±0.4  
±0.1A  
±0.5A

FIG NO. 2  
ØA - 125 OR  
Ø50VAC  
Ø4HP - 125VAC

ANGULAR

2XN8-M	MIN.	MAX.	MIN.	K(MIN)	K(MAX)	2	10537	1
2XN1-M	1.815 K(MAX) 5" M.N.	20" MAX.	30" MIN.	0.075 K(MIN)	1.36 K(MAX)	1	M5-EM32-C	4
2XN1-M	0.75 K(MAX) 5" M.N.	20" MAX.	30" MIN.	0.075 K(MIN)	0.56 K(MAX)	1	M5-EM32-C	4
2XN8-M	1.815 K(MAX) 0°30' M.N.	5" MAX.	30" MIN.	0.227 K(MIN)	1.36 K(MAX)	2	M5-EM32-C	4
2XN8-M	1.815 K(MAX) 0°30' M.N.	5" MAX.	30" MIN.	0.057 K(MIN)	0.29 K(MAX)	2	M5-EM32-C	4
2XN8-M	1.815 K(MAX) 0°30' M.N.	5" MAX.	30" MIN.	0.227 K(MIN)	1.36 K(MAX)	2	M5-EM32-C	4
2XN1-M	5" M.N.	20" MAX.	20" MIN.	0.227 K(MIN)	0.227 K(MAX)	1	CN-21034	5
8AS42-2B	1.815 K(MAX) 4" M.N.	23" MAX.	27" MIN.	0.075 K(MIN)	1.36 K(MAX)	2	CN-21034	5
2XN2-F1	1.815 K(MAX) 5" M.N.	20" MAX.	30" MIN.	0.227 K(MIN)	1.36 K(MAX)	3	M5-22216	1
2XN8-MN5	0°30' M.N.	5" MAX.	30" MIN.	0.075 K(MIN)	0.55 K(MAX)	2	M5-11232	1
2XN2-R2	5" M.N.	20" MAX.	30" MIN.	0.350 K(MIN)	1.50 K(MAX)	3	M5-10375	3
2XN1-M	0.2 K(MAX) 5" M.N.	20" MAX.	30" MIN.	0.028 K(MIN)	0.142 K(MAX)	1	M5-EM32-C	4
2XN8-M	0.2 K(MAX) 0°30' M.N.	5" MAX.	30" MIN.	0.028 K(MIN)	0.142 K(MAX)	2	M5-EM32-C	4
2XN1-M	0.115 K(MAX) 5" M.N.	20" MAX.	20" MIN.	0.007 K(MIN)	0.028 K(MAX)	1	CN-21034	5
2XN1-M	0.56 K(MAX) 5" M.N.	20" MAX.	30" MIN.	0.057 K(MIN)	0.454 K(MAX)	1	M5-EM32-C	4
8AS42-2B	1.815 K(MAX) 4" M.N.	23" MAX.	27" MIN.	0.028 K(MIN)	0.142 K(MAX)	2	CN-21034	5
8AS42-2B	4" M.N.	23" MAX.	27" MIN.	0.057 K(MIN)	0.29 K(MAX)	2	M5-11350	1
8AS42-2B	4" M.N.	23" MAX.	27" MIN.	0.057 K(MIN)	0.29 K(MAX)	2	M5-11350	1
2XN1-M	1.815 K(MAX) 5" M.N.	20" MAX.	30" MIN.	0.227 K(MIN)	1.362 K(MAX)	1	M5-EM32-C	4
2XN1-M	1.815 K(MAX) 5" M.N.	20" MAX.	30" MIN.	0.227 K(MIN)	1.362 K(MAX)	1	M5-22216	1