



Made in USA

Y2K
Year 2000
Compliant

504

MILLIVOLT-INPUT 4/20 mA TWO-WIRE TRANSMITTER

10646ML-01



This device is marked with the international hazard symbol. It is important to read the Setup Guide before installing or commissioning this device as it contains important information relating to safety and EMC.

It is the policy of NEWPORT to comply with all worldwide safety and EMC/EMI regulations that apply. NEWPORT is constantly pursuing certification of its products to the European New Approach Directives. NEWPORT will add the CE mark to every appropriate device upon certification.

© Copyright 1998, NEWPORT Electronics, Inc. All rights reserved.

This documentation may not be copied, photocopied, reproduced, translated, or reduced to any electronic medium or machine-readable form, in whole or in part, without prior written consent of NEWPORT Electronics, Inc.

SAFETY CONSIDERATIONS



This device is marked with the international Caution symbol. It is important to read this manual before installing or commissioning this device as it contains important information relating to Safety and EMC (Electromagnetic Compatibility).

Unpacking & Inspection



Unpack the instrument and inspect for obvious shipping damage. Do not attempt to operate the unit if damage is found.

This instrument is a panel mount device protected in accordance with Class I of EN 61010 (115/230 AC power connections). Installation of this instrument should be done by Qualified personnel. In order to ensure safe operation, the following instructions should be followed.

This instrument has no power-on switch. An external switch or circuit-breaker shall be included in the building installation as a disconnecting device. It shall be marked to indicate this function, and it shall be in close proximity to the equipment within easy reach of the operator. The switch or circuit-breaker shall not interrupt the Protective Conductor (Earth wire), and it shall meet the relevant requirements of IEC 947-1 and IEC 947-3 (International Electrotechnical Commission). The switch shall not be incorporated in the mains supply cord.

Furthermore, to provide protection against excessive energy being drawn from the mains supply in case of a fault in the equipment, an overcurrent protection device shall be installed.



- The **Protective Conductor** must be connected for safety reasons. Check that the power cable has the proper Earth wire, and it is properly connected. It is not safe to operate this unit without the Protective Conductor Terminal connected.



- Do not exceed voltage rating on the label located on the top of the instrument housing.
- Always disconnect power before changing signal and power connections.
- Do not use this instrument on a work bench without its case for safety reasons.
- Do not operate this instrument in flammable or explosive atmospheres.
- Do not expose this instrument to rain or moisture.

EMC Considerations

- Whenever EMC is an issue, always use shielded cables.
- Never run signal and power wires in the same conduit.
- Use signal wire connections with twisted-pair cables.
- Install Ferrite Bead(s) on signal wires close to the instrument if EMC problems persist.

CHG	ECO NO	DATE	BY	CHK
D	9328	28 MAY 98	ML	KAH

**MODEL 504
MILLIVOLT-INPUT 4/20 mA TWO-WIRE TRANSMITTER**

OWNERS' MANUAL

TABLE OF CONTENTS

MAIN ASSEMBLY 504

Safety Considerations	i
1.0 General Information	1
2.0 Specifications	2
3.0 Mechanical Assembly and Installation	3
4.0 Signal and Power Connections	8
5.0 Configuration	9
6.0 Drawings	13

ILLUSTRATIONS

Figure 3-1 Exploded View of Model 504	4
Figure 3-2 Bulkhead and Track Mounting	5
Figure 3-3 DIN Track Mounting	6
Figure 3-4 Spring Retainer for Explosion-Proof Housing	7
Figure 4-1 Power Input Connections	8
Figure 5-1 Calibration Hookup	9
Figure 5-2 Jumper Diagram	10
Figure 5-3 Calibration Flowchart	12
Figure 6-1 504 Case Dimensions	13
Figure 6-2 504 Preamp Block Diagram	14
Figure 6-3 504 Postamp Block Diagram	14
Table 5-1 Span Ranges in Millivolts Obtained with Jumpers	11

APPENDICES

Appendix A Transmitter Accuracy Specifications	15
--	----

1.0 GENERAL INFORMATION

The 504 two-wire transmitter takes in millivolt signals, provides amplification, common-mode isolation, and controls the current drawn from a 9-to-50 V dc source to produce the 4-to-20 mA output signal.

Common-mode voltage between the input and the output circuits is tested at 1500 V rms. As much as 750 ohms dropping resistance may be used in the power leads when the unit is energized from a 24 V dc source because of the small compliance voltage needed by the unit. Accidental overloads of over one minute by 120 V rms on either input or output leads do not damage the 504.

1.1 ACCURACY AND STABILITY

Selected resistors in a temperature-sensing output bridge provide cancellation of both input and output Span temperature effects. High-ambient-temperature compensation points are checked. The unit is certified for accuracy from -40 to +85°C (-40 to +185°F).

1.2 ADAPTABILITY/TURNDOWN

The Span of the 504 can be ranged anywhere from 5 to 100 mV by selection of one of four jumper positions, with fine tuning provided by a multiturn, top-accessible potentiometer. Sixteen Zero steps, also provided by 504 jumpers, allow placement of the input for 4-mA output zero at an input anywhere from -30 to +60 mV, with fine tuning provided by another top-accessible, multiturn potentiometer. This 504 turndown capability exceeds that of any other known transmitter.

1.3 LINEARITY

The 504 zero suppression capabilities (high turndown ratio) allow high-gain control for continuous processes with good linearity for many nonlinear transducers when small span is selected.

1.4 ELECTRICAL ISOLATION

504 input (and shield) and output (DC power) barrier strips accept wires up to two mm in diameter (13 gauge), and are mechanically isolated from each other to prevent input/output wiring contact during installation.

1.5 SHOCK RESISTANCE

Lightweight 504 circuit boards are formed into a rigid box structure and firmly soldered and epoxied to the case top. The circuit-board box is doubly coated with RTV silicone for environmental protection. When installed in the rugged, die-cast case, the 504 can withstand the shock of a 6-foot drop onto a hard surface (although scarring of the case and/or deformation of the plastic cover can occur).

1.6 WATERPROOF/RFI-RESISTANT CASE

The 504 case is made from Zamac (zinc alloy), coated with polyurethane, and gasketed with fluorosilicone. Fluorosilicone plugs protect the top-access Span and Zero potentiometers.

1.7 MOUNTING ADAPTABILITY

The small size of the 504 (less than 75 mm or 3 in OD) permits mounting in many small spaces, including explosion-proof housings for wiring compatibility with other equipment in hazardous environments. A bulkhead adaptor provides for wall-mounting. A snaptrack adaptor mounts on either American or European relay tracks. Tapped holes in the case rear provide for custom mounting on any surface, indoor or out. An optional opaque top cover shields the barrier strips from exposed environments.

2.0 SPECIFICATIONS

2.1 INPUT

Configuration: Isolated, mV input, mA output

Input impedance: 100 megohms

Lead resistance: Up to 1k ohms for specified performance

Common mode voltage, input to case: Test, 2100 V peak; IEC spacing for 354 V peak

Common mode rejection, input to case: 100 dB min at 60 Hz

Overvoltage protection: 120 V ac max/1 min exposure

2.2 OUTPUT

Linear range: 4 mA to 20 mA dc

Compliance (supply-voltage range): 9 to 50 V dc

Overvoltage protection: 120 V ac

Reverse polarity protection: 400 V peak

Common mode voltage, output to case: 1500 V ac max

Common mode rejection, output to case: 100 dB min at 60 Hz

2.3 ACCURACY

Hysteresis and repeatability: Within 10 uV $\pm 0.1\%$ of Span

Six month stability: Within 10 uV $\pm 0.2\%$ of base input

Power supply effect: Within $\pm 0.005\%/V$

Ambient temperature effect for 50°C change: Zero: Within ± 20 uV
Span: Within 0.3%
Suppression: $\pm 0.1\%$ of base input

2.4 ENVIRONMENTAL

Operating temperature: -40 to 85°C

Storage temperature: -55 to 125°C

Humidity: Waterproof

Vibration: 1.52 mm (.06 in) double amplitude, 10-80 Hz cycled

Shock: 55g, half-sine, 9-13 msec duration, 6' drop to hard surface

Watertight pressure limit: 35 kPa (5 PSI)

Mounting position: Any

2.5 MECHANICAL

Case material: Zamac (zinc alloy), polyurethane-coated, fluorosilicone-gasketed

Weight: 300 g (10 oz)

Diameter: 74 mm (2.9 in)

Height (including barriers): 52 mm (2.1 in)

Connections: #6 screws with wire clamps

3.0 MECHANICAL ASSEMBLY AND INSTALLATION

3.1 UNPACKING AND INSPECTION

Your 504 transmitter was systematically inspected and tested, then carefully packed before shipment. Unpack the instrument and inspect for shipping damage. If possible, remove the casing and visually inspect the internal circuitry. Notify the freight carrier immediately if damage exists.

Each package includes an assembled transmitter and an owners' manual. If these items are not according to your order, contact your local distributor or Newport Electronics.

3.2 SAFETY CONSIDERATIONS

As delivered from the factory/distributor, this instrument complies with required safety regulations. To prevent fire or electrical hazard and to ensure safe operation, please follow the guidelines below.

VISUAL INSPECTION: Do not attempt to operate the unit if damage is found.

MOUNTING: Observe the mounting instructions in Sections 3.3 through 3.6, as applicable. The transmitter must be tightly secured at the time of installation. Case dimensions are provided in Section 6.0.

POWER VOLTAGE: Verify that the instrument is connected for the power voltage rating that will be used (9-50 V dc). If not, make the required changes as indicated in Section 4.

POWER WIRING - This instrument has no power-on switch; it will be in operation as soon as the power is connected.

SIGNAL WIRING - Do not make signal wiring connections or changes when power is on. Make signal connections before power is applied. If connection changes are required, first disconnect the power.

EXERCISE CAUTION - As with any electronic instrument, high voltage may exist when attempting to install, calibrate, or change the push-on jumpers of the transmitter.

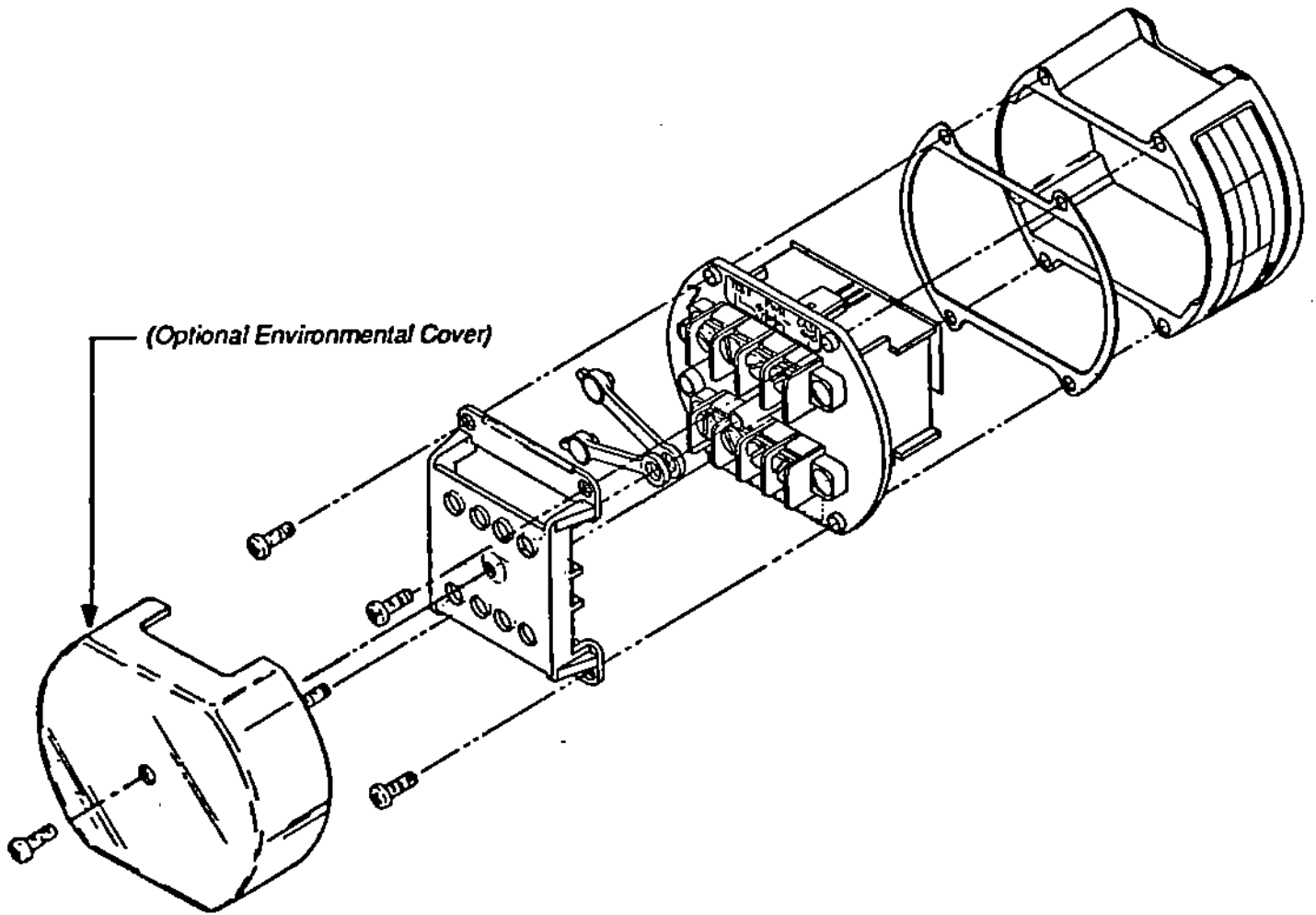


Figure 3-1 Exploded View of Model 504

The low voltage requirement of the 504 enables its use with a current-loop indicator (Newport Model 508 recommended). Tapped holes on the back of the case provide for custom mounting to a flat surface; flanges on the back of the case provide for standard 8TK2 relay track mounting. For flat surface mounting, use #6 hardware. For 8TK2 relay track mounting, simply push onto track.

3.3 OPTIONAL ADAPTERS FOR MOUNTING

The following optional adaptors provide various mounting choices:

- a. Adaptor plate for either front-screw-entry surface mount, or TR2/2TK relay track mount (see Figure 3-2).
- b. Rail clamp for DIN-EN-50 022 relay track mount (Figure 3-3).
- c. Spring retainers for external 76.4 to 88.9 mm (3 to 3.5 in) explosion-proof housing mount (see Figure 3-4).

3.4 SURFACE AND TR2/2TK RELAY TRACK MOUNTING PROCEDURE

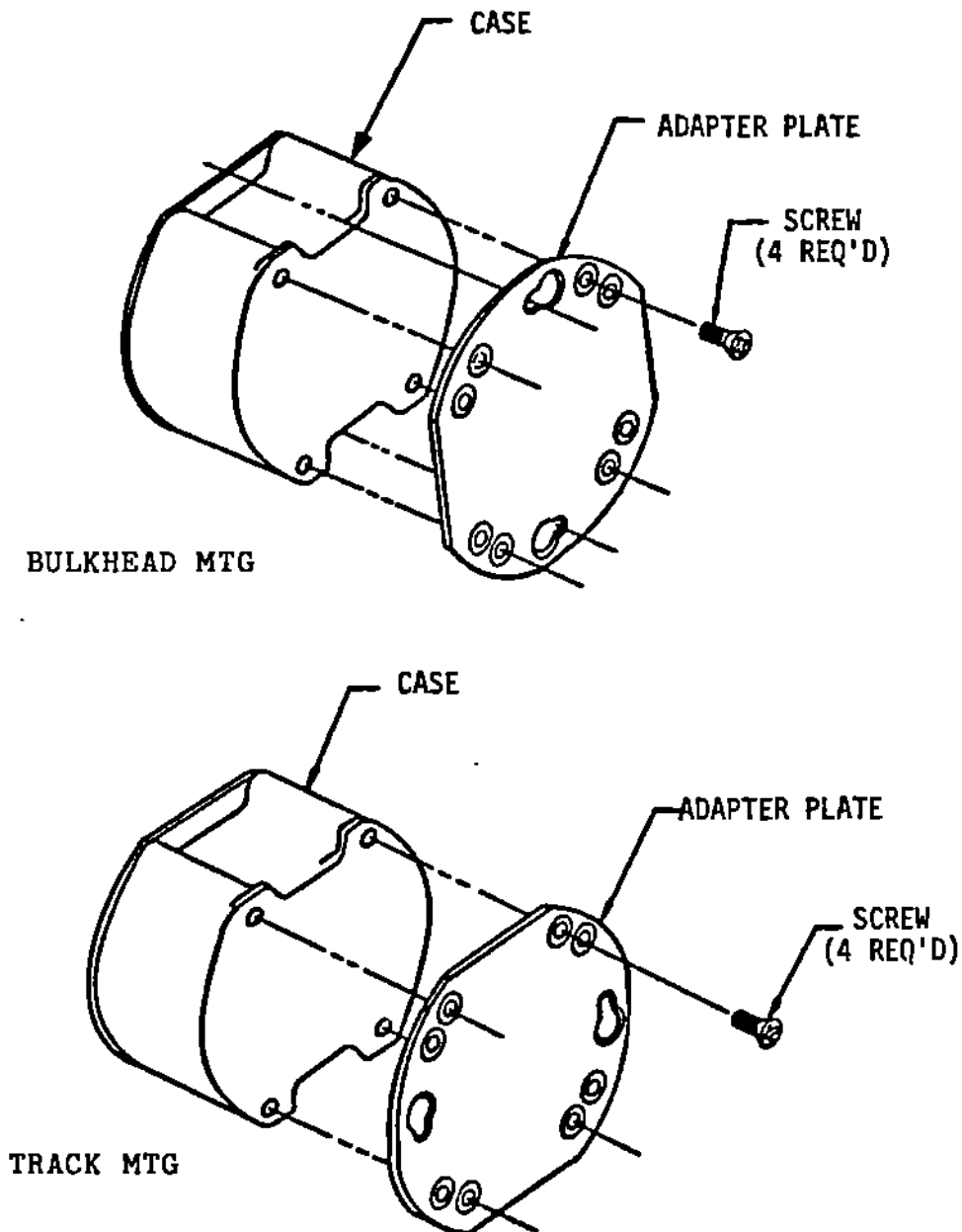
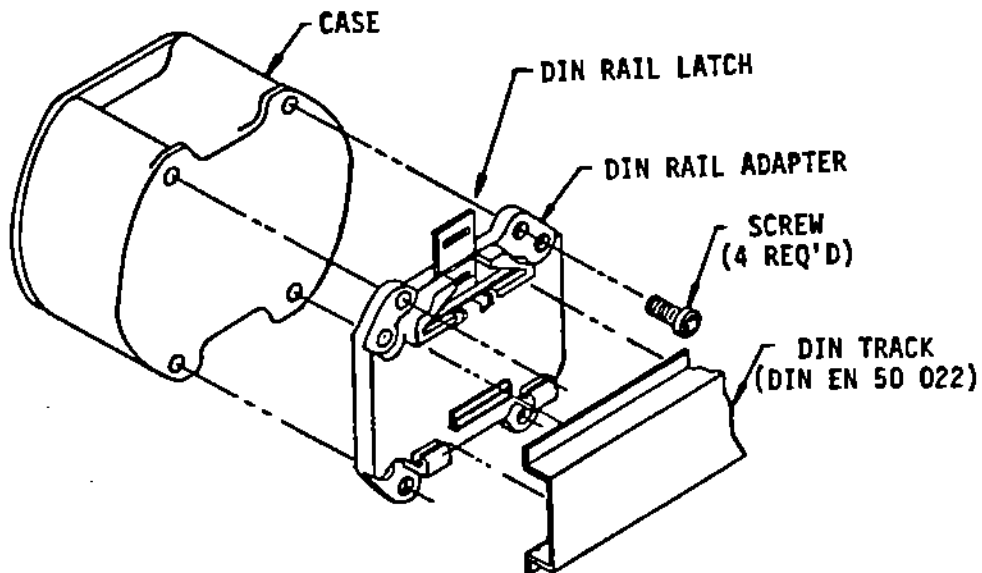


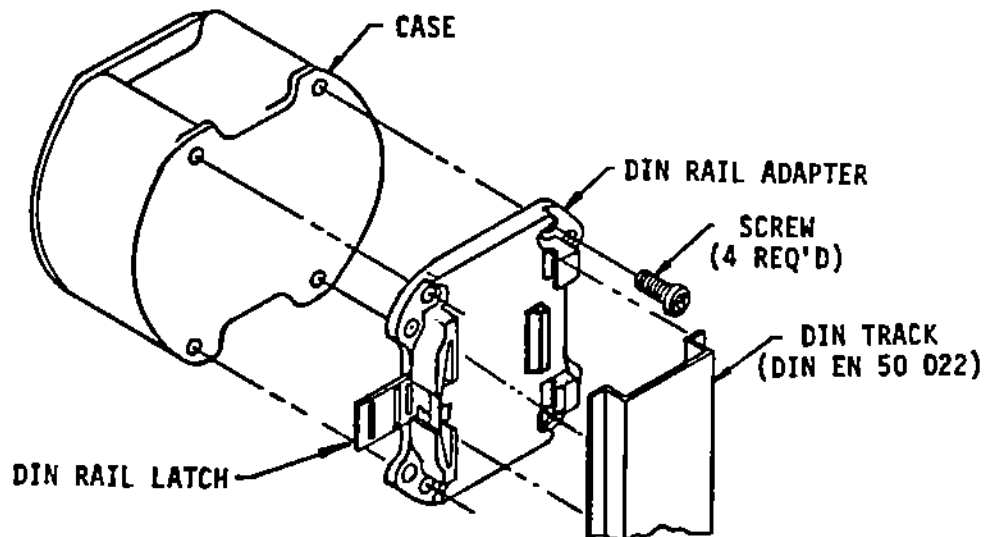
Figure 3-2 Bulkhead and Track Mounting

1. Position plate for desired application.
2. Use #6 hardware to mount plate to back of 504 case.

3.5 DIN EN 50 022 RELAY TRACK MOUNTING PROCEDURE



DIN TRACK MTG: SHOWN FOR HORIZONTAL TRACK



DIN TRACK MTG: SHOWN FOR VERTICAL TRACK

Figure 3-3 DIN Track Mounting

1. Position plate for desired track direction.
2. Use #8 flathead screws to mount plate to back of 504 case.
3. Snap 504 case assembly onto DIN rail.

3.6 EXTERNAL EXPLOSION-PROOF HOUSING MOUNTING

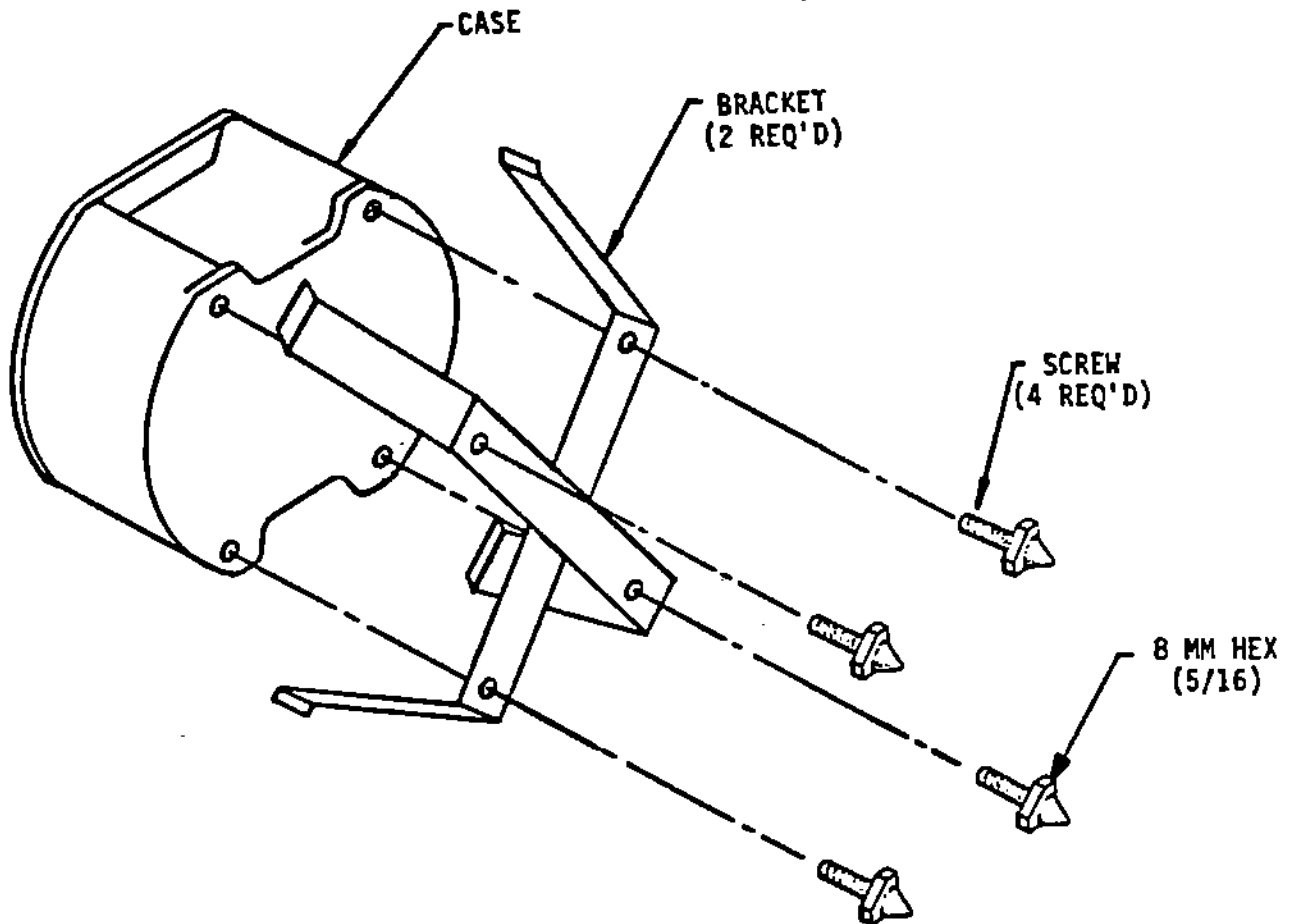
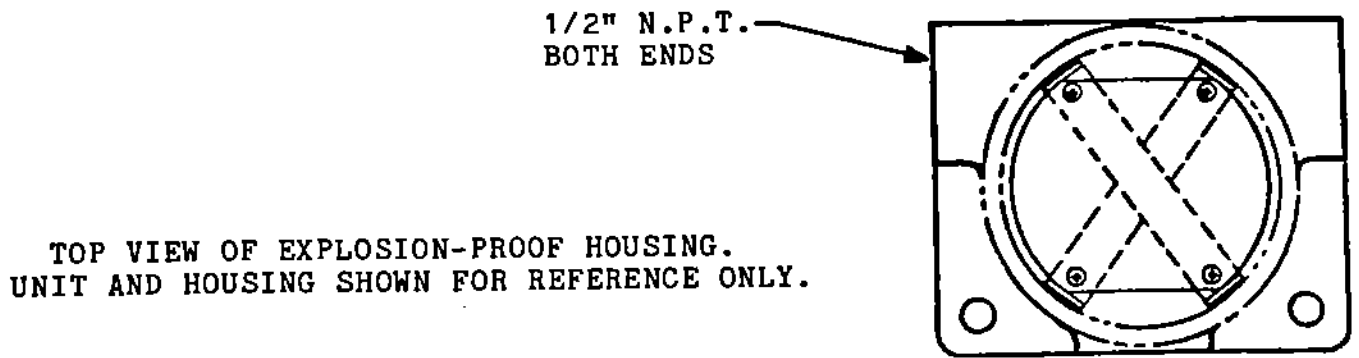


Figure 3-4 Spring Retainer for Explosion-Proof Housing

1. Position spring retainer across back of 504 case.
2. Use wire protector feet (4 provided with above option) to hold spring retainers in place.
3. Press 504 case assembly into explosion-proof housing.

4.0 POWER AND SIGNAL INPUT CONNECTIONS

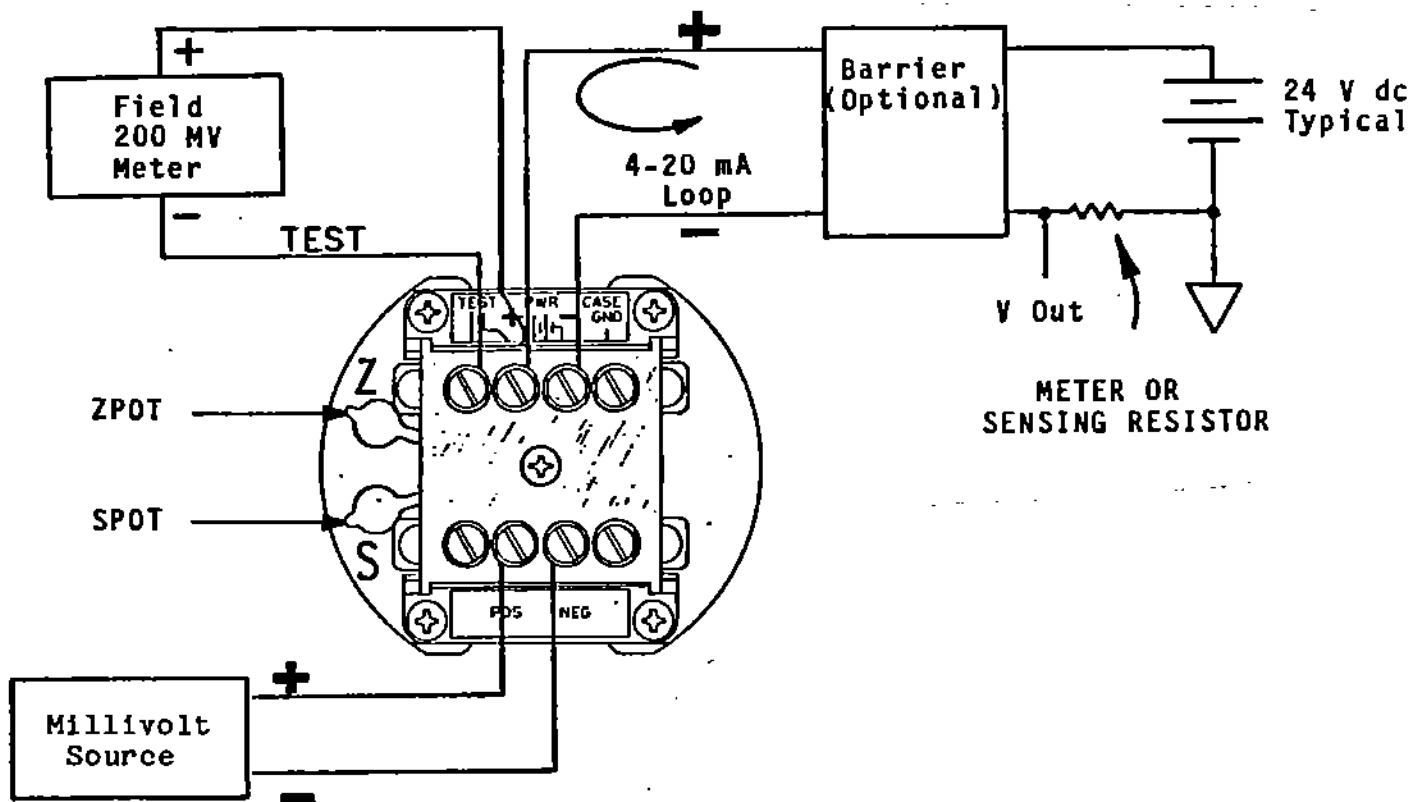


Figure 4-1 Power Input Connections

4.1 GENERAL

TEST, PWR +, and PWR - screws accept 2 mm (13 gauge) or lighter wire. CASE GND is grounded to the case. Power input range is 9-50 V dc.

SCREW-TERMINAL PIN ASSIGNMENT

1	TEST
2	+ POWER/OUTPUT
3	- POWER/OUTPUT
4	CASE GND
A	N/C
B	+ mV/INPUT
C	- mV/INPUT
D	N/C

5.0 CONFIGURATION

The 504 is normally delivered configured for 0/50 mV = 4/20 mA.

5.1 TOOLS AND EQUIPMENT

#1 Phillips screwdriver
3/32" flat blade screwdriver, VACO 17764 or equivalent
Two 4 1/2 digit DVMs (digital voltmeters)
10 or 100 ohm 1% resistor
Fixed or variable DC power supply or battery (range of 11-30 V dc)
Millivolt source, -60.00 to +160.00 mV

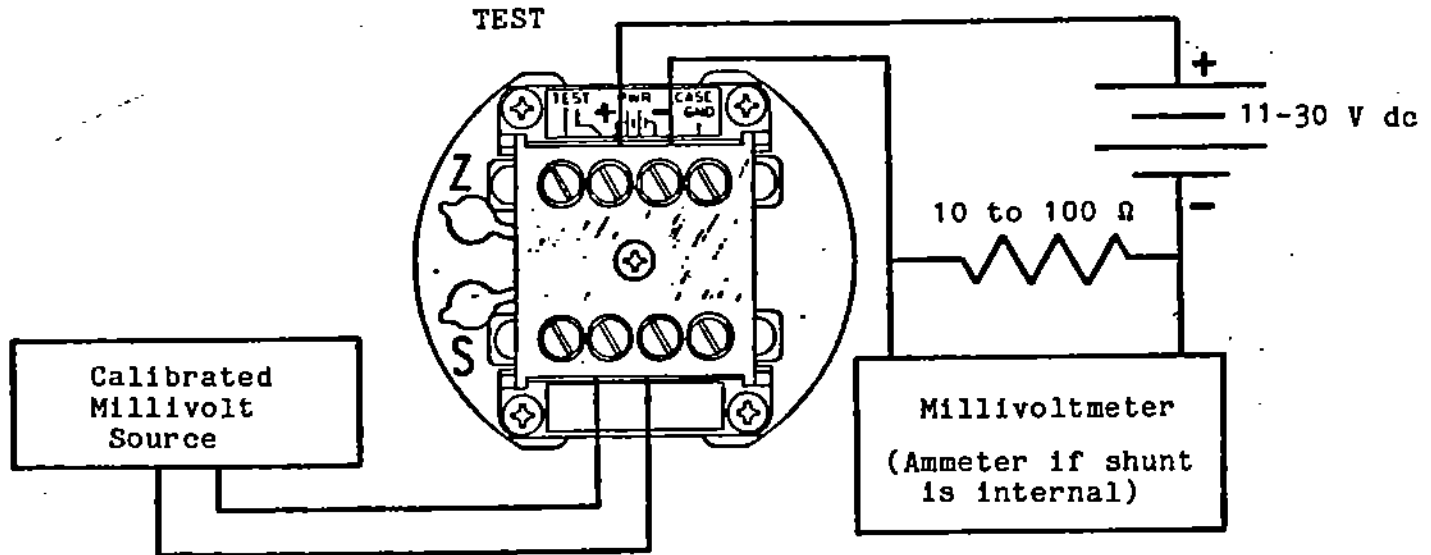


Figure 5-1 Calibration Hookup

5.2 CALIBRATION PROCEDURE

Refer to Figure 5-3 (Calibration flowchart) and familiarize yourself with the general procedure to be followed.

1. Remove the four Phillips-head screws from the case top and set aside the plastic barrier.
2. Lift out the electronics assembly attached to the case lid.
3. Setting aside the case and sealing gasket, pull out the two sealing plugs which cover the Span and Zero potentiometers (SPOT and ZPOT). Adjust SPOT five turns clockwise (CW) from the full counter-clockwise (CCW) position (SPOT and ZPOT are both multi-turn pots).

NOTE: SPOT is never used more than 3/4 of the way clockwise, since full clockwise disconnects the feedback.

4. Refer to Table 5-2 and select the range which comes closest to your desired Base and Top millivolt levels. Having done this, note which zero and span jumpers are called out by the table for the range that you have selected.
5. Turn the transmitter so that the jumper pin-forest is at hand, and move the push-on jumpers to the positions indicated in Figure 5-2 for the range chosen in the previous step. Place unused jumpers in storage positions.
6. Refer to Figure 5-1 and connect the transmitter to the power supply, millivolt source, current shunt, and millivoltmeter. Greater calibration stability can be obtained if the electronic assembly is installed in the case.
7. Using Table 5-1, determine LO-IN, the Base millivolt level.
8. Determine HI-IN, the Top millivolt level.
9. Set the millivolt calibration source to LO-IN and adjust ZPOT for 4.00 mA output current.

10. Set the millivolt calibration source to HI-IN millivolts and note the output current (generally this will not be 20 mA). This current level is designated INITIAL TOP (IT).
11. Calculate TOP CORRECT (TC), the corrected output current, with the following equation (generally this will also not equal 20 mA).

$$TC = 16 \cdot IT / (IT - 4)$$
12. Adjust SPOT to obtain TOP CORRECT milliamperes output current.
13. Now readjust ZPOT so that the output reads 20.00 mA.
14. Set the millivolt calibration source to LO-IN millivolts. If the output current is not 4.00 mA, repeat steps 9 through 14.
15. When calibration is complete, remove the 504 from the calibration setup, replace the pot sealing plugs, and install the unit in the case insuring that the four screws are tightened enough to compress but not flatten the gasket.

EXAMPLE:

Input Range = -10.00 to +30.00 mV
 LO Input = -10.00 mV
 HI Input = +30.00 mV
 Span and Zero Jumpers - See Table 5-1

Calibrate:

1. Set SPOT to about 3/4 CCW.
2. Set millivolt source to -10.00 mV.
3. Adjust ZPOT to 4.00 mA.
4. Set millivolt source to +30.00 mV.
5. Read current, designated Initial Top (IT).
6. Calculate $TC = 16 \cdot IT / (IT - 4) \text{ mA}$.
7. Adjust SPOT to obtain Top Correct (TC) current.
8. Adjust ZPOT to obtain 20 mA current.
9. Set millivolt source to -10.00 mV.
10. If the output is not 4.00 mA, retrim starting at Item 3 above.

5.3 PIN ASSIGNMENTS

(Jumper Pin-forest P1)

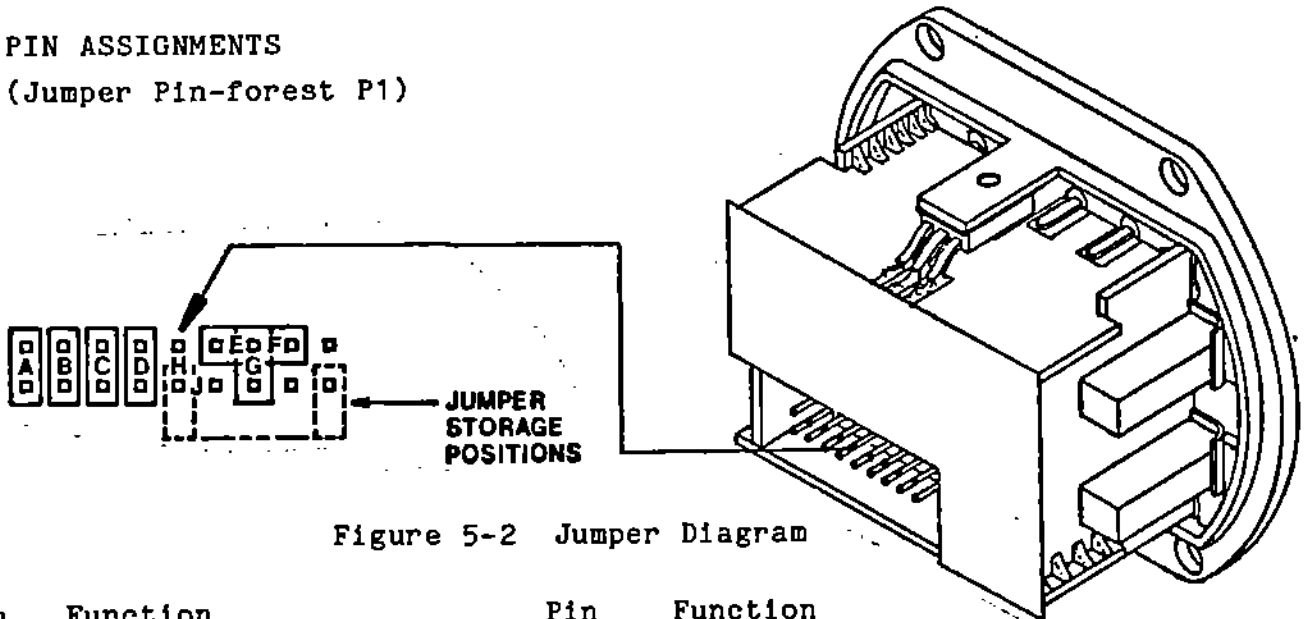


Figure 5-2 Jumper Diagram

Pin	Function	Pin	Function
P1-1	"A" Zero Jumper	P1-10	Input tempco control
P1-2	"B"	P1-11	V ref input
P1-3	"C"	P1-12	"E" Span jumper point
P1-4	"D"	P1-13	"G" Span jumper point
P1-5	"E"	P1-14	Span jumper common ground
P1-6	"F"	P1-15	Zero pot wiper (Input high)
P1-7	"G"	P1-16	"F" Span jumper point
P1-8	"H"	P1-17	T/C input low
P1-9	Preamp divider center	P1-18	Preamp regulated supply voltage

<u>WITHOUT SPAN JUMPERS</u>			<u>USING SPAN JUMPER 'E'</u>		
Z JUMPERS	Adjustable Range (mV)		Z JUMPERS	Adjustable Range (mV)	
	Base	Top		Base	Top
NONE	-35	15 to 55	NONE	-35	-20 to 10
D (ONLY)	-30	20 to 60	D (ONLY)	-35	-20 to 15
C (ONLY)	-25	40 to 65	C (ONLY)	-30	-15 to 20
C AND D	-25	45 to 75	C AND D	-25	-10 to 25
B (ONLY)	-20	50 to 80	B (ONLY)	-20	-5 to 30
B AND D	-15	55 to 85	B AND D	-15	0 to 35
B AND C	-10	60 to 90	B AND C	-10	5 to 40
B,C AND D	-5	65 to 95	B,C AND D	-5	10 to 45
A (ONLY)	0	70 to 100	A (ONLY)	0	15 to 50
A AND D	5	75 to 105	A AND D	5	20 to 55
A AND C	10	80 to 110	A AND C	10	25 to 60
A,C AND D	15	85 to 110	A,C AND D	15	30 to 65
A AND B	25	90 to 120	A AND B	25	40 to 75
A,B AND D	35	95 to 130	A,B AND D	35	50 to 85
A,B AND C	45	100 to 140	A,B AND C	45	60 to 95
A,B,C AND D	60	105 to 160	A,B,C AND D	60	75 to 110

<u>USING SPAN JUMPER 'F'</u>			<u>USING SPAN JUMPER 'G'</u>		
Z JUMPERS	Adjustable Range (mV)		Z JUMPERS	Adjustable Range (mV)	
	Base	Top		Base	Top
NONE	-35	-25 to -10	NONE	-35	-30 to -25
D (ONLY)	-35	-25 to -5	D (ONLY)	-35	-30 to -20
C (ONLY)	-30	-20 to 0	C (ONLY)	-30	-25 to -15
C AND D	-25	-15 to 5	C AND D	-25	-20 to -10
B (ONLY)	-20	-10 to 10	B (ONLY)	-20	-15 to -5
B AND D	-15	-5 to 15	B AND D	-15	-10 to 0
B AND C	-10	0 to 20	B AND C	-10	-5 to 5
B,C AND D	-5	5 to 25	B,C AND D	-5	0 to 10
A (ONLY)	0	10 to 30	A (ONLY)	0	5 to 15
A AND D	5	15 to 35	A AND D	5	10 to 20
A AND C	10	20 to 40	A AND C	10	15 to 25
A,C AND D	15	25 to 45	A,C AND D	20	25 to 35
A AND B	20	30 to 50	A AND B	30	35 to 45
A,B AND D	30	40 to 60	A,B AND D	40	45 to 55
A,B AND C	45	55 to 75	A,B AND C	50	55 to 65
A,B,C AND D	60	70 to 90	A,B,C AND D	60	65 to 75

Table 5-1 Span Ranges In Millivolts Obtained With Jumpers

Reference Sections 5.4.1 and 5.4.2.

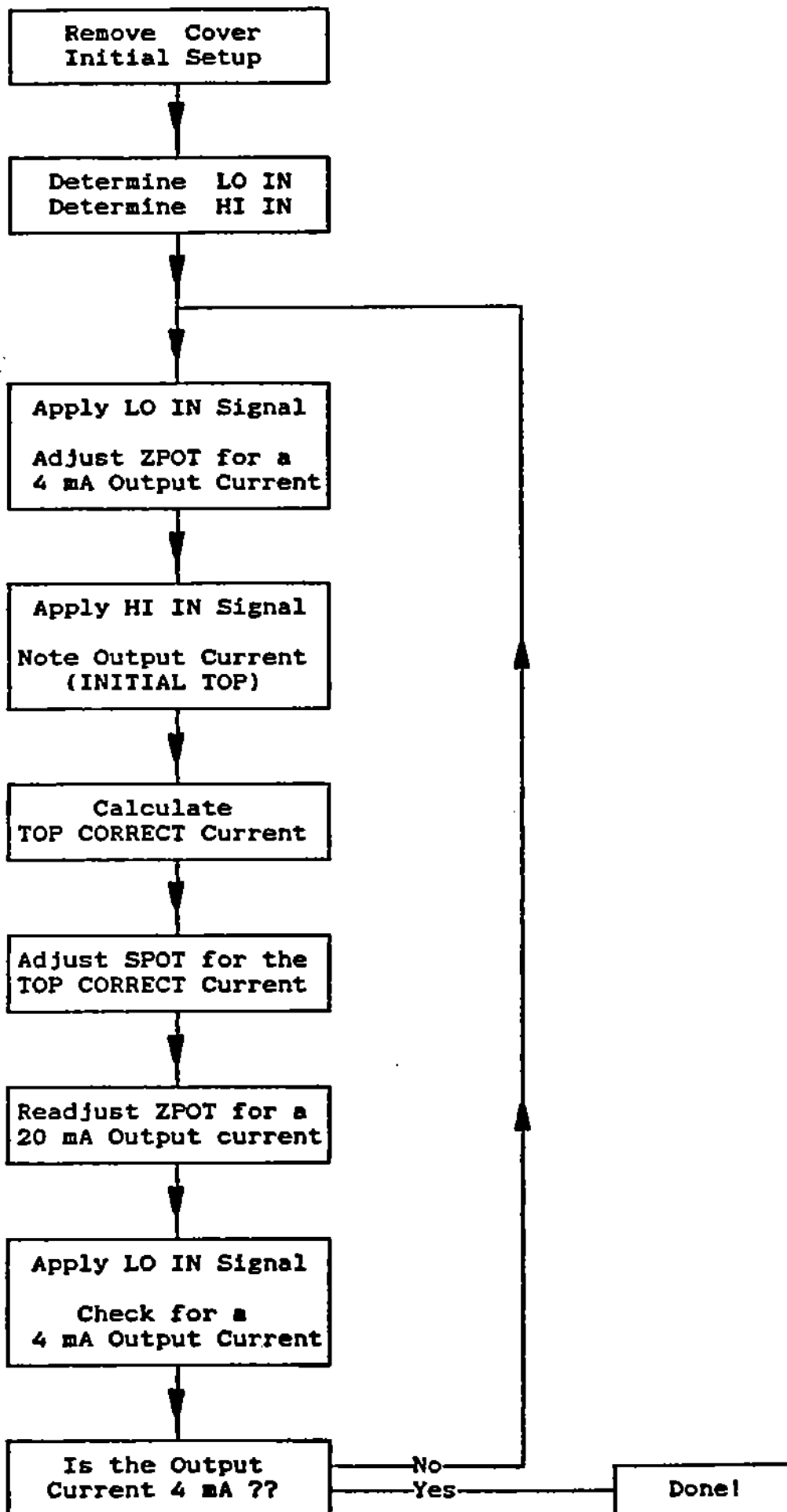


Figure 5-3 Calibration Flowchart

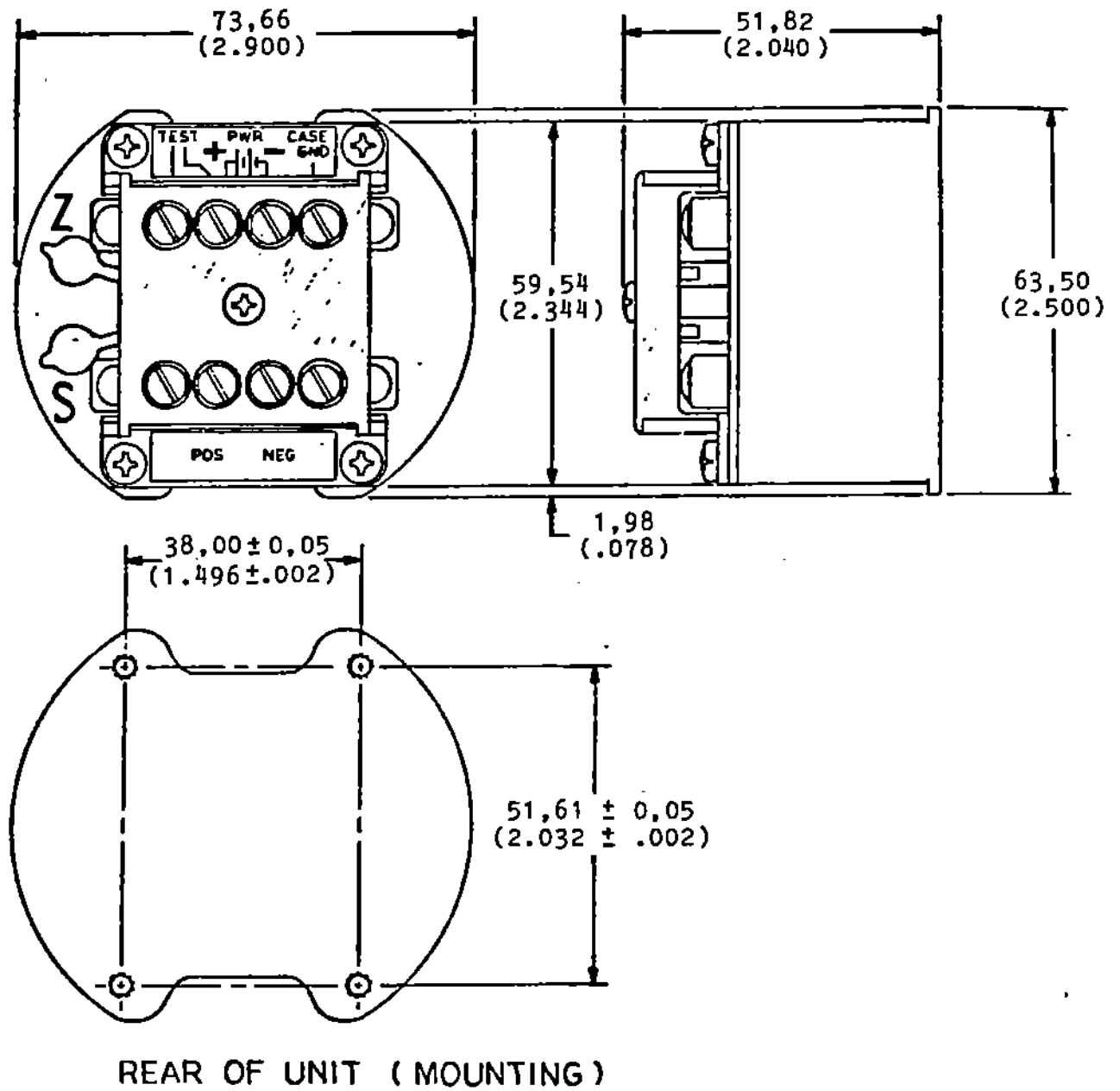


Figure 6-1 504 Case Dimensions

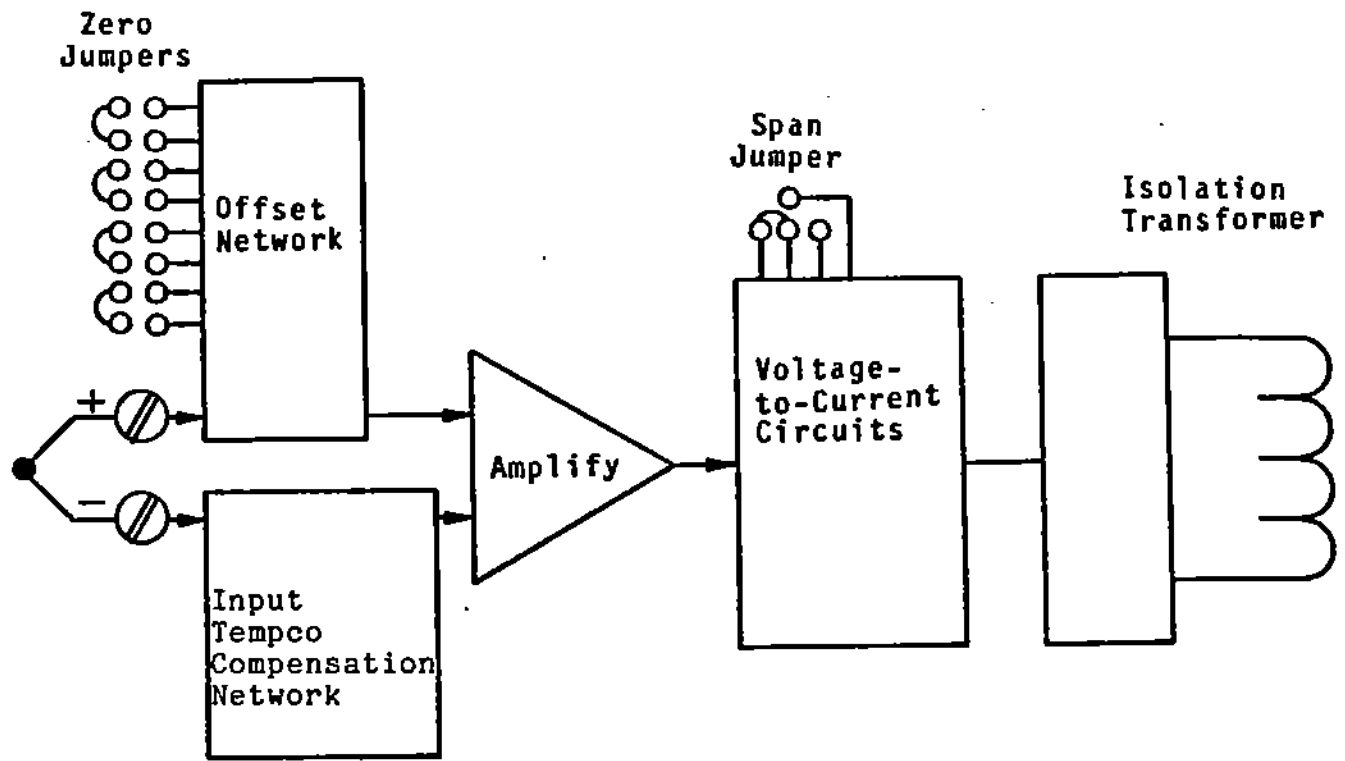


Figure 6-2 504 Preamp Block Diagram

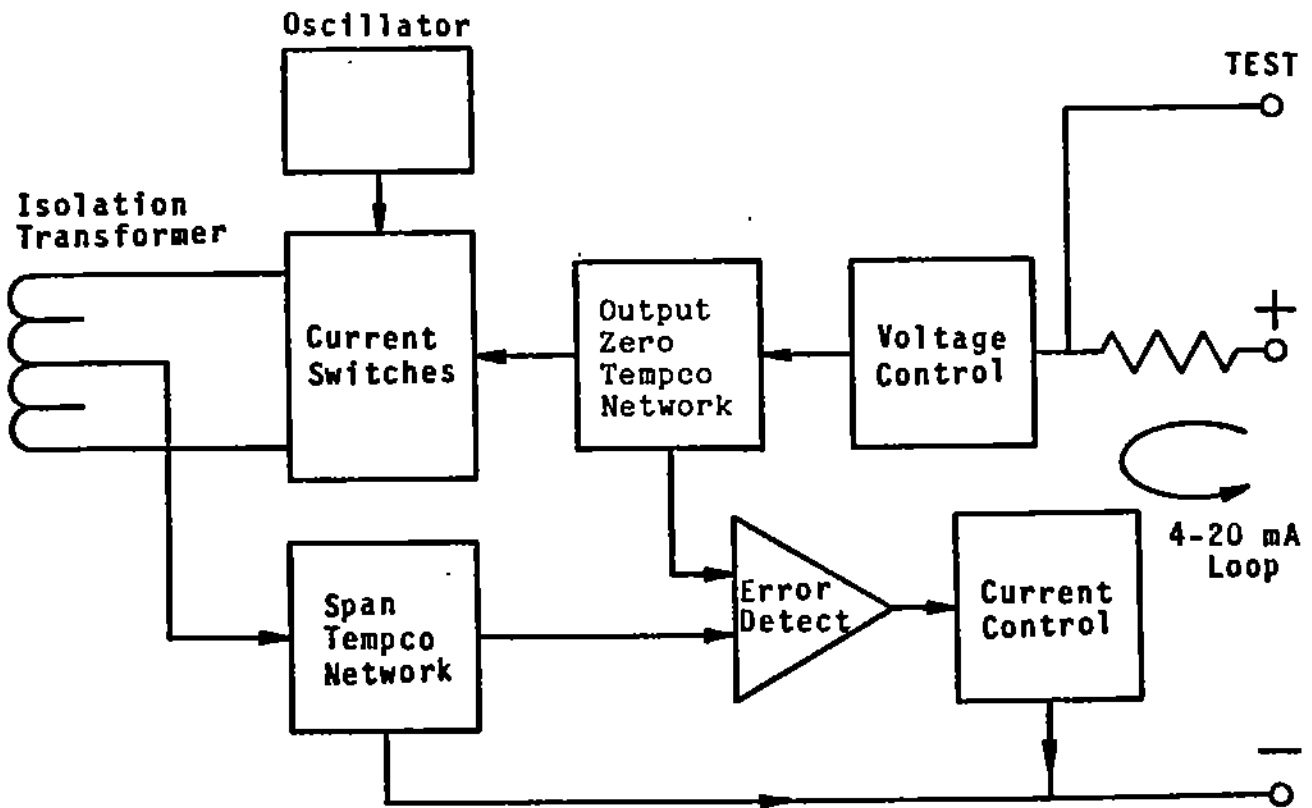


Figure 6-3 504 Postamp Block Diagram

TRANSMITTER ACCURACY SPECIFICATIONS

The complex current-transmitter circuitry necessary to amplify, isolate, protect, and offset weak input signals while consuming only small amounts of power can distort the signal in many ways.

Many transmitter data sheets omit key accuracy factors and/or express performance in percentage values without mentioning the full-scale value. Design limitations can be disguised by such "specsmanship"; the 504 specifications, however, are detailed in order to present the complete performance accuracy.

504 input errors are logically expressed in microvolts, and output errors are readily expressed in microamperes, since output is current. Transmitter users, however, are rarely interested in microamperes. Therefore, these output current errors are translated back to input microvolts as a percentage (or ppm) of the selected Span.

Another fundamental division of errors is that of independence or dependence on Zero and Reading. Resistor aging and tempco mismatch in the Zero and Voltage Reference circuits will produce errors which increase with Zero suppression but which are independent of the amount of Reading (value above the Zero). Resistor aging and tempco mismatch in the amplifier gain (feedback) circuits will usually affect both Zero and Reading accuracy; amplifier gain tempco variations are important to just the Reading stability. A complete error specification needs a term proportional to Zero (suppression) and a term proportional to Reading.

In addition to the Zero and Span tempco (ambient temperature effects), there are other possible errors, often referred to as "hysteresis," "repeatability," "drift," or "time" errors. No statistically-significant errors of these types have yet been observed for the 504, which utilizes a solid-state, band-gap input voltage reference, matched-pair input PNP transistors, integrated-circuit current source and imbalance control, and matched-tempco bridge resistors. The 504 also provides a variable-tempco output adjustment (factory-set) which eliminates many of the errors lumped in this category for other units. Its specification includes a 10 uV tolerance for the calibration accuracies.