

UNIVERSAL DIN RAIL TRIP AMPLIFIER

SEM1630

- SIMPLE CONFIGURATION VIA USB PORT
- UNIVERSAL PT100, THERMOCOUPLE, mV, mA Input
- ISOLATED INPUT
- DUAL RELAY OUTPUTS 250 V AC 1A
- RELAY ISOLATED FROM EACH OTHER
- 10 YEAR WARRANTY



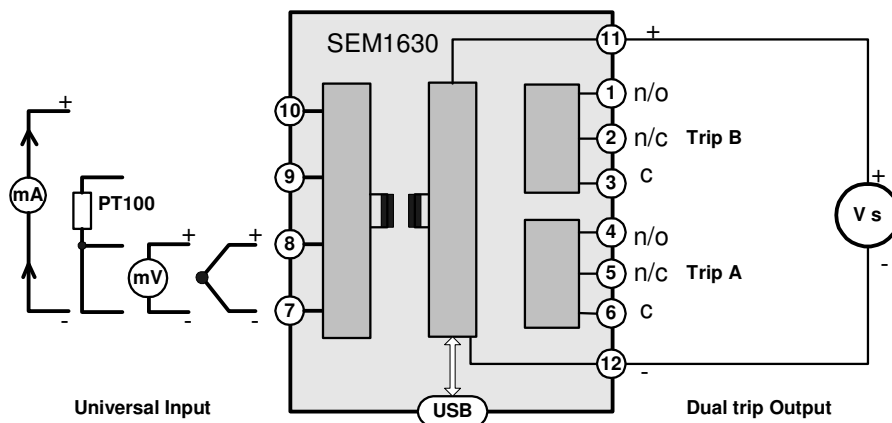
INTRODUCTION

The SEM1630 is the new generation DIN rail mounted trip amplifier from Status Instruments. It has been designed to accept most common process and temperature sensor inputs and provide the user with a dual trip output. Isolation is provided on all three ports. All temperature ranges are linear to temperature.

Designed for ease of use, our latest USB interface is fitted for quick and easy configuration. Just connect a standard USB cable between the SEM1630 and your PC. Using our free configuration software, your PC will automatically upload the existing configuration data and guide you through any changes you wish to make. To further help save time, the SEM1630 does not need to be wired to a power supply during the configuration process, it is powered via the USB interface from your PC. The following parameters are configurable :-

INPUT TYPE	UNITS	TRIP A Level	TRIP A Setpoint	TRIP A Hysteresis	TRIP B Level	TRIP B Setpoint	TRIP B Hysteresis
PT100	°F, °C, mV & mA	High Low	Set in units	Set in units	High Low	Set in units	Set in units
T/C K, J, E, N, T, R, S							
mV							
mA							

The range led indicates out of range input during normal operation. Alarm LEDs are provided for each trip.



UNIVERSAL DIN RAIL TRIP AMPLIFIER

SPECIFICATION

INPUTS

INPUT	RANGE	ACCURACY (Note 1)	STABILITY	O/C	CJ (Note 3)	Sensor excitation (Note 4)	IMPEDANCE
K	(-200 to 1370) °C	0.1 % of FSR ±0.5 °C (type T 0.2 % FSR. ± 0.5 °C)	± 0.01 % of FSR	Yes	Yes	-	1 MΩ (Note 5)
J	(-100 to 1200) °C						
E	(-100 to 1000) °C						
N	(-180 to 1300) °C						
T	(-100 to 400) °C						
R	(-10 to 1760) °C	± 0.5 °C ±0.1 % of FSR (Note 2)					
S	(-10 to 1760) °C	± 0.5 °C ±0.1 % of FSR (Note 2)					
mV	(-40 to 75) mV	± 0.04 mV			-		
P	(-200 to 850) °C	± 0.1 °C / ±0.05 % of rdg	± 0.005 % of FSR		-	<450 uA	-
mA	(-10 to 25) mA	± 0.008 mA	± 0.01 % of FSR	-	-	-	2.7 R (Note 6)

Key Rdg = Reading ; FSR = Full Scale Range ; O/C = programmable open circuit sensor detect; CJ = Cold junction error

Notes

1. Accuracy for PT100 and T/C do not include sensor and cold junction errors.
2. Only over the range (800 to 1600) °C
3. Cold junction range (-20 to 70) °C, Accuracy ± 0.5 °C , Tracking ± 0.05 °C
4. PT100 input Maximum lead resistance 20 R, Lead effect 0.015 °C / Ω.
5. Impedance – not including 0.2 uA open circuit detect bias current effect.
6. Maximum current over load ± 100 mA.

OUTPUT

Type

Dual Form C relay contacts

Supply

24 V dc ± 5 % @ 40 mA Max

Response time

< 500 ms to reach 95 % of final value ; Start up time < 3 s

Contact rating

250 V ac rms @ 1A ; 30 V dc @ 1 A resistive load

Trip Type

Individual trips A & B may be set at high or low level, full range setpoint plus adjustable hysteresis

Ranges

Setpoint programmed on units, covering full range of input.

Hysteresis

Set in units.

Protection

Reverse connection and over-voltage protection. Max over voltage current 100 mA.

GENERAL

Isolation

Input to output tested at 500 V dc.

Ambient

operating (-20 to 70) °C (10 to 95) % RH non condensing. Storage (-40 to 85) °C

Approvals

CE tested to BS EN 61326

MECHANICAL

Material

Polmide 6.6

Terminals

Self extinguishing

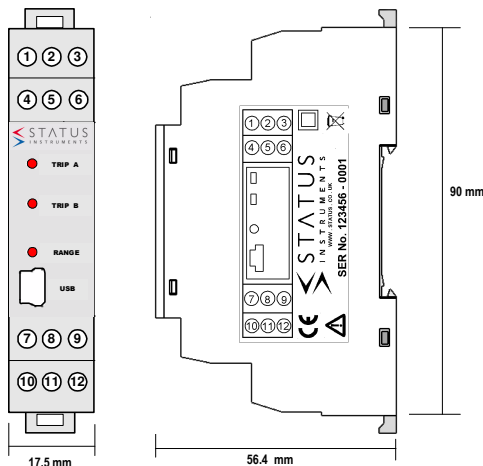
Cable

Screw terminal

Colour

2.5 mm Max.

Grey



REFER TO
INSTRUCTION
MANUAL
BEFORE USE

ORDER CODE : SEM1630

ASSOCIATED PRODUCTS

USB CABLE A/M TO MINI B/M
M-CONFIG S/W

ORDER CODES

48-200-0001-01

48-605-1150-03

FOC

SEM1603P/TC/I

LOW COST SINGLE I/P DIN RAIL TRANSMITTER

SEM1610

UNIVERSAL DIN RAIL TRANSMITTER (4 to 20) mA O/P

SEM1620

UNIVERSAL DIN RAIL TRANSMITTER VOLTAGE OUTPUT

Status Instruments Ltd
Green Lane Business Park
Green Lane, Tewkesbury
Gloucestershire, UK
GL20 8DE

Tel: +44 (0)1684 296818
Fax: +44 (0)1684 293746
Email: sales@status.co.uk
Website: www.status.co.uk
D2446-01-04 sem1630 data sheet

