

Type	1420
	1425
Nominal Size	50mm

### PART NUMBERS

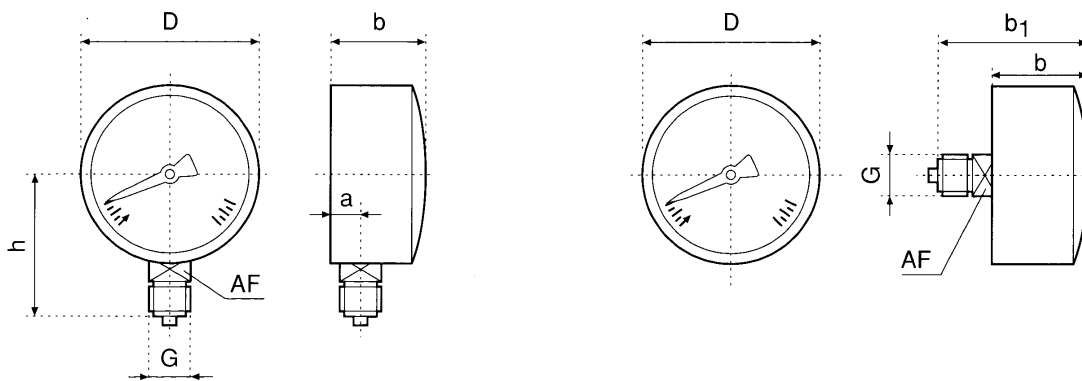
Range (Bar)	1420	1425
-1 to 0	<b>016001</b>	<b>016001</b>
-1 to 0.6	042901	042901
-1 to 1.5	<b>043001</b>	<b>043001</b>
-1 to 3	<b>044001</b>	<b>044001</b>
-1 to 5	<b>045001</b>	<b>045001</b>
-1 to 9	046901	046901
-1 to 15	049901	049901
0 to 0.6	<b>067001</b>	<b>067001</b>
0 to 1	<b>069001</b>	<b>069001</b>
0 to 1.6	<b>070001</b>	<b>070001</b>
0 to 2.5	<b>072001</b>	<b>072001</b>
0 to 4	<b>073001</b>	<b>073001</b>
0 to 6	<b>074001</b>	<b>074001</b>
0 to 10	<b>075001</b>	<b>075001</b>
0 to 16	<b>076001</b>	<b>076001</b>
0 to 25	<b>078001</b>	<b>078001</b>
0 to 40	<b>079001</b>	<b>079001</b>
0 to 60	<b>080001</b>	<b>080001</b>
0 to 100	<b>081001</b>	<b>081001</b>
0 to 160	<b>082001</b>	<b>082001</b>
0 to 250	<b>084001</b>	<b>084001</b>
0 to 315	<b>085001</b>	<b>085001</b>
0 to 400	<b>086001</b>	<b>086001</b>

Please note that items in bold are available from stock

### TECHNICAL DATA

Type	1420	1425
Symbol		
Nominal size (mm)	50	
Accuracy class	2.5 to Din 16005	
Case	Plastic, black (ABS)	
Window	Plexiglass, convex, clipped on	
Dial	Plastic, white with stop pin, scale black to Din 16109	
Pointer	Plastic, black	
Movement	Cu Zn alloy (Brass)	
<b>Wetted parts</b>		
Measuring element	Cu alloy	
Pressure connection	Cu Zn alloy	
Connection thread	G $\frac{1}{4}$ A (1/4" BSP)	
Temperature ranges		
- media	T max +60°C	
- ambient	T min: -40°C to T max +60°C	
Weight approx (Kg)	0.1	0.071

### DIMENSIONS



Type 1420

All dimensions in mm

NG	a $\pm$ 0.5	b $\pm$ 0.5	D $\pm$ 0.5	G	h $\pm$ 1	AF
50	10	27	51	G $\frac{1}{4}$ A(1/4" BSP)	45	14

Type 1425

NG	b $\pm$ 0.5	b1 $\pm$ 0.5	D $\pm$ 0.5	G	AF
50	26.5	47.5	49	G $\frac{1}{4}$ A(1/4" BSP)	14

Other options are available such as dual scal (Bar/psi), various bezel types and different connection threads.