



40MM, ABS, BOTTOM AND REAR ENTRY

- Ø40mm ABS housing
- Copper alloy measuring system
- Built to DIN 16063/EN837
- Ranges from -1... 15 bar to 0... 400 bar
- Accuracy class 2.5 to DIN 16005

Nominal Size
40mm

Type
1410
1415

PART NUMBERS

Range (Bar)	1410	1415
-1 to 0	016001	016001
-1 to 0.6	042901	042901
-1 to 1.5	043001	043001
-1 to 3	044001	044001
-1 to 5	045001	045001
-1 to 9	046901	046901
-1 to 15	049901	049901
0 to 1	069001	069001
0 to 1.6	070001	070001
0 to 2.5	072001	072001
0 to 4	073001	073001
0 to 6	074001	074001
0 to 10	075001	075001
0 to 16	076001	076001
0 to 25	078001	078001
0 to 40	079001	079001
0 to 60	080901	080001
0 to 100	081901	081901
0 to 160	082901	082901
0 to 250	084901	084901
0 to 315	085901	085901
0 to 400	086901	086901

TECHNICAL SPECIFICATION

Type	1410	1415
Symbol		
Nominal size (mm)	40	
Accuracy class	2.5 to Din 16005 (EN837)	
Operating range	Constant Load: 3/4x full scale Alternating load: 2/3x full scale	
Case	Plastic, black (ABS)	
Window	Plexiglass, convex, clipped on	
Dial	Plastic, white with stop pin, scale black to Din 16109	
Pointer	Plastic, black	
Movement	Cu Zn alloy (Brass)	
Wetted parts		
Measuring element	Cu alloy	
Pressure connection	Cu Zn alloy	
Connection thread	G $\frac{1}{8}$ A (1/8" BSP)	
Temperature ranges		
Media	T max +60°C	
Ambient	T min: -40°C to T max +60°C	
Weight approx (Kg)	0.07	0.065

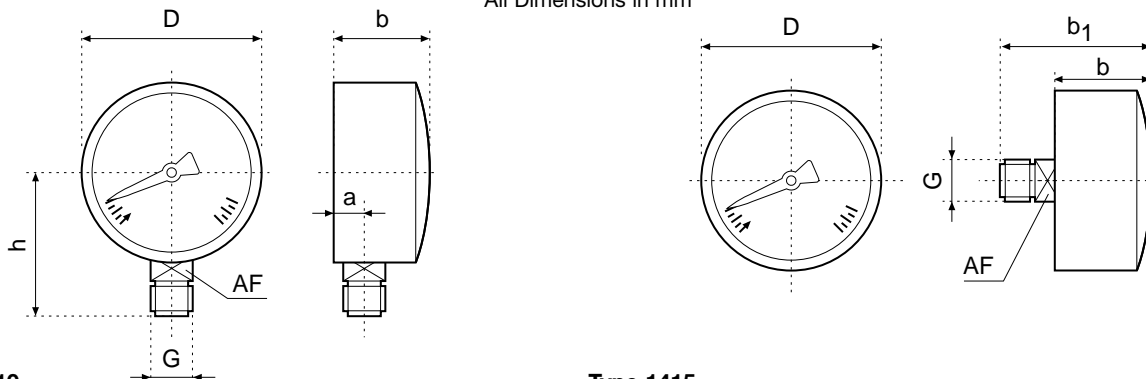
OPTIONS

(see page 49)

- Dual scale bar/psi
- Connection threads
- Panel mounting
- G $\frac{1}{4}$ A (1/4" BSP)

DIMENSIONS

All Dimensions in mm



Type 1410

Type	NG	a ± 0.5	b ± 0.5	b1 ± 0.5	D ± 0.5
1410	40	8	24	-	41
1415	40	-	26	44	41

Type 1415

G	h ± 1	AF
G $\frac{1}{8}$ A (1/8" BSP)	36	12
G $\frac{1}{4}$ A (1/4" BSP)	-	14