

Type

Nominal Size

Picture shows 1453 gauge with optional mounting bracket.

PART NUMBERS

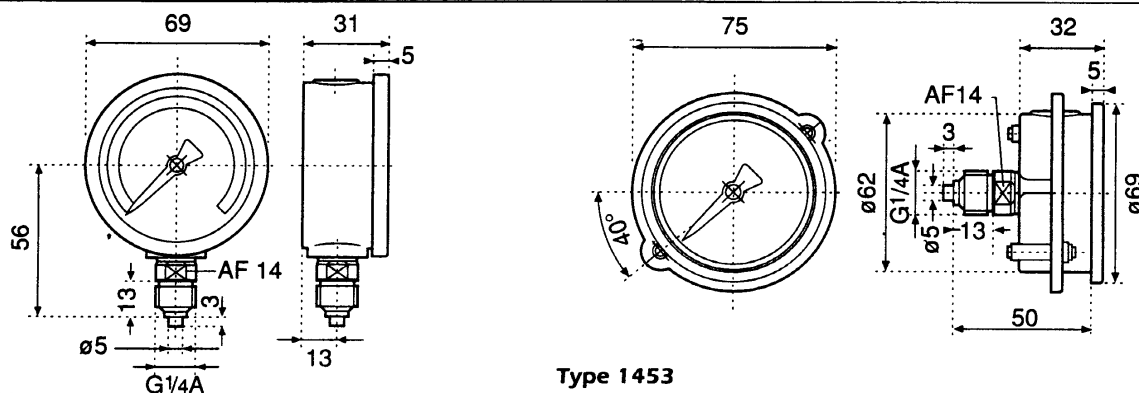
Range (Bar)	1454	1453
-1 to 0*	016001	016002
-1 to 0.6*	042901	042902
-1 to 1.5*	043901	043902
-1 to 3*	044901	044902
-1 to 5*	045001	045902
-1 to 9*	046901	046902
-1 to 15*	049901	049902
0 to 1	069002	069004
0 to 1.6	070002	070004
0 to 2.5	072002	072004
0 to 4	073002	073004
0 to 6	074002	074004
0 to 10	075002	075004
0 to 16	076002	076004
0 to 25	078002	078004
0 to 40	079002	079004
0 to 60	080002	080004
0 to 100	081002	081004
0 to 160	082002	082004
0 to 250	084002	084004
0 to 400	086002	086004
0 to 600	087002	087004
0 to 1000	088002	088904

NOTE * indicates Bar scale only
Please note that items in bold are available from stock

TECHNICAL DATA

Type	1454	1453
Symbol		
Nominal size (mm)	63	
Accuracy class	1.6 according to Din 16005	
Overrange protection	1.3 times full scale (temporary)	
Case	Stainless steel 1.4301 (304)	
Bezel	St. steel 1.4301 (304)	St. steel 1.4301 (304) polished
Window	Plexiglass	
Dial	Aluminium, white, scale & markings black according to Din 16109	
Pointer	Aluminium, black according to Din 16099	
Movement	Cu Zn (Brass)	
Wetted parts		
Measuring element		
≤40 Bar	Bourdon tube, copper alloy	
≥60 Bar up to 400 Bar	Helical tube, copper alloy	
≥400 Bar	*Helical tube, 1.4571 (s.s.316)	
Pressure connection	Cu Zn (Brass)	
Connection thread	G 1/4 A (1/4" BSP) Din 16288	
Liquid filling	Glycerine: <2.5 Bar 86.5% ≥2.5 Bar 99.5%	
Temperature ranges		
- media	+80°C maximum	
- ambient	-25°C to +60°C	
Weight approx (Kg)	0.21	0.26

DIMENSIONS



Type 1454

All dimensions in mm

Type 1453

(Fitted with optional mounting bracket: 1370 054001)

Other options are available including front flanges, triangular bezel and maximum marker pointers.