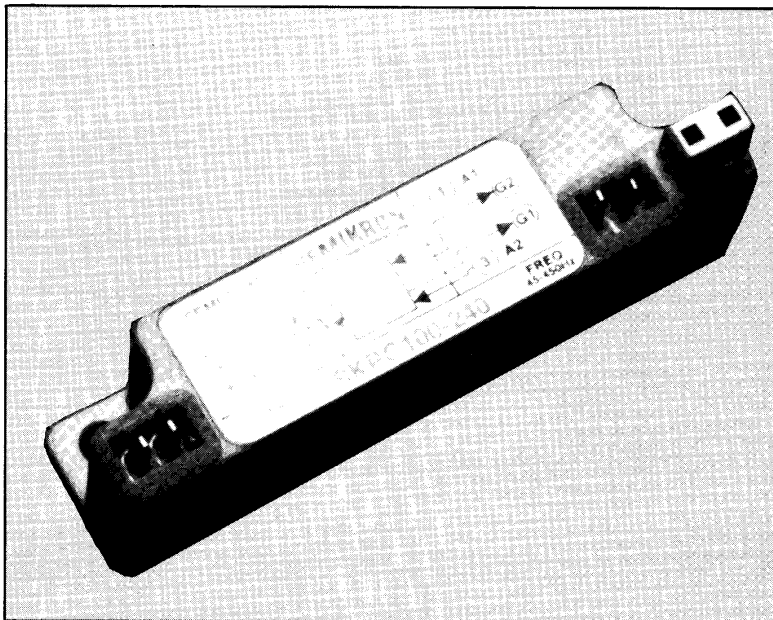


SEMIKRON

innovation + service



SKPC100 is one of the new generation of Semikron Power Control Modules (SEMI-PCM). The new design allows triggering of a wide range of SCR's for both zero voltage or instantaneous switching applications. Thus forming the basis of very high power solid state relays. The SKPC100 is particularly suitable for highly inductive or large in-rush current type loads.

The improved design incorporates a wider range of input logic voltages, operation in D.C. bridges type B2HZ/B2HKF and higher operating temperatures. The opto-isolated input circuit has a high sensitivity and is protected against reverse voltage connections.

The versatile packaging is fully compatible for mounting with SEMIPACK 1 to SEMIPACK 4 SCR Modules. Identical polarised dual plugs, as used for SEMIPACK gate/cathode connections, are provided to simplify wiring of the SKPC100 to SEMIPACK Modules.

SKPC100
INSTANTANEOUS
TRIGGER
CONTROL MODE

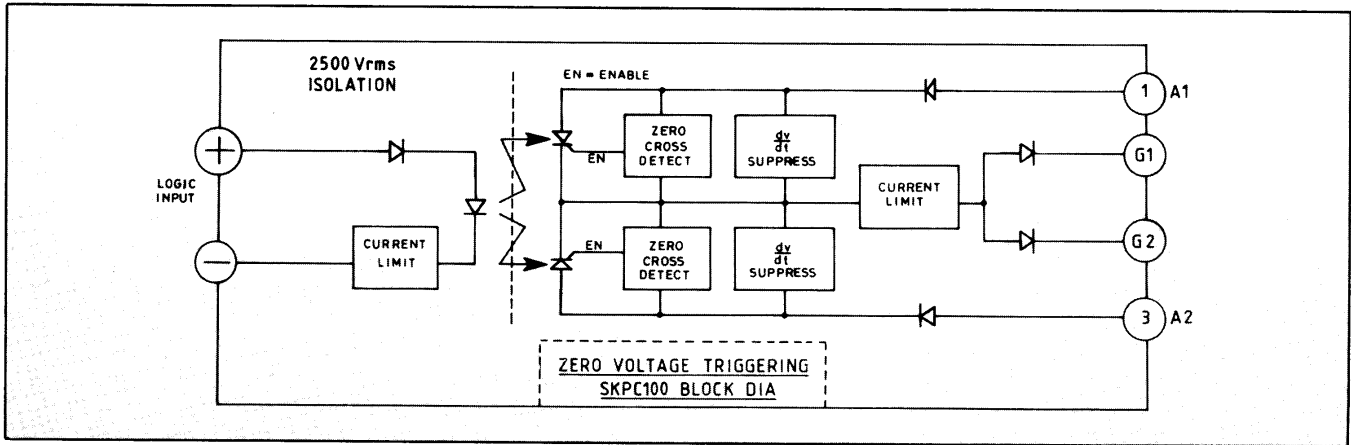
SKPC100Z
ZERO VOLTAGE
TRIGGER
CONTROL MODE

MAIN FEATURES

- * TTL and CMOS compatible
- * Fully Isolated protected input
- * Conforms to UL, CSA and VDE requirements
- * Triggers, wide range of SCR's
- * Versatile Package

TYPICAL APPLICATIONS

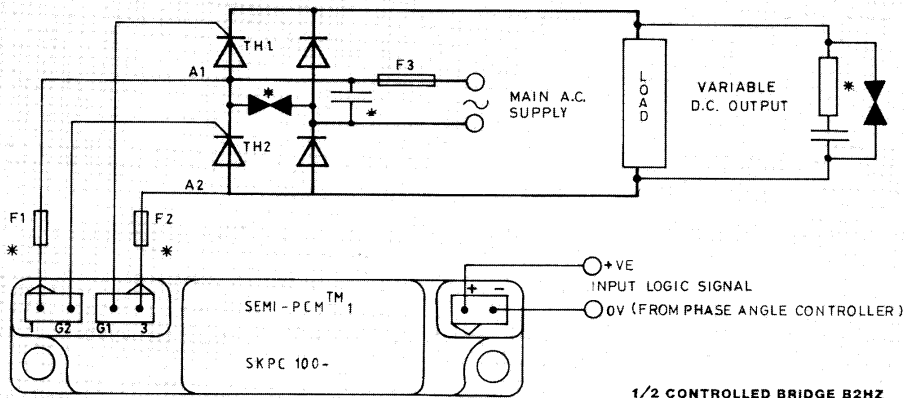
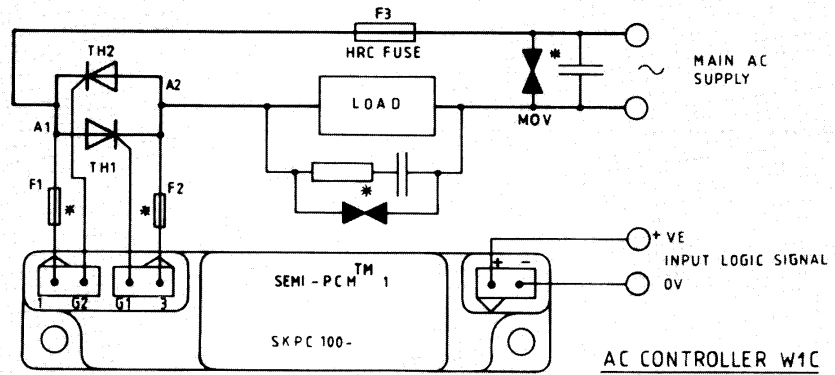
- * High Power Solid State Relays
- * High In-rush Current Loads
- * Phase Angle Control of Heating Loads etc.



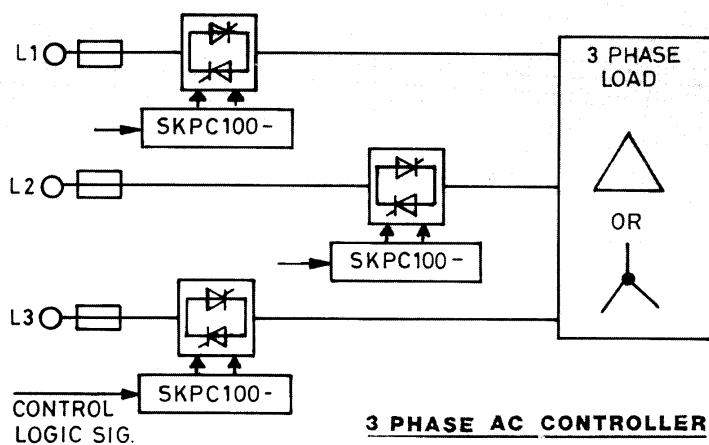
NOTES

1. FUSE F1 AND F2 RECOMMENDED: 500mA FAST BLOW (HRC) TYPE
2. USE SKPC100 FOR PHASE ANGLE CONTROL APPLICATIONS
3. USE SKPC100Z FOR ZERO CROSS (SOLID STATE RELAY) APPLICATIONS

* RECOMMENDED PROTECTIVE COMPONENTS

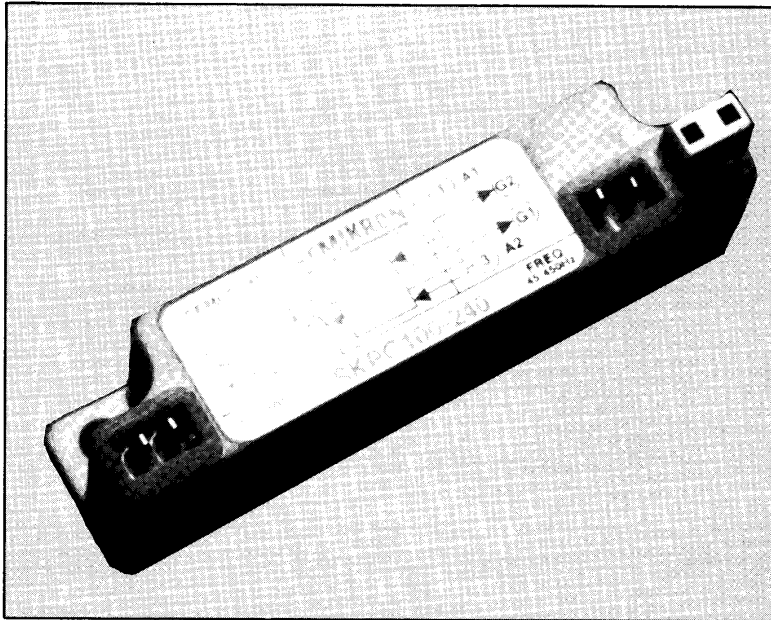


APPLICATION EXAMPLES



SEMIKRON

innovation + service



SKPC100 is one of the new generation of Semikron Power Control Modules (SEMI-PCM). The new design allows triggering of a wide range of SCR's for both zero voltage or instantaneous switching applications. Thus forming the basis of very high power solid state relays. The SKPC100 is particularly suitable for highly inductive or large in-rush current type loads.

The improved design incorporates a wider range of input logic voltages, operation in D.C. bridges type B2HZ/B2HKF and higher operating temperatures. The opto-isolated input circuit has a high sensitivity and is protected against reverse voltage connections.

The versatile packaging is fully compatible for mounting with SEMIPACK 1 to SEMIPACK 4 SCR Modules. Identical polarised dual plugs, as used for SEMIPACK gate/cathode connections, are provided to simplify wiring of the SKPC100 to SEMIPACK Modules.

SKPC100
INSTANTANEOUS
TRIGGER
CONTROL MODE

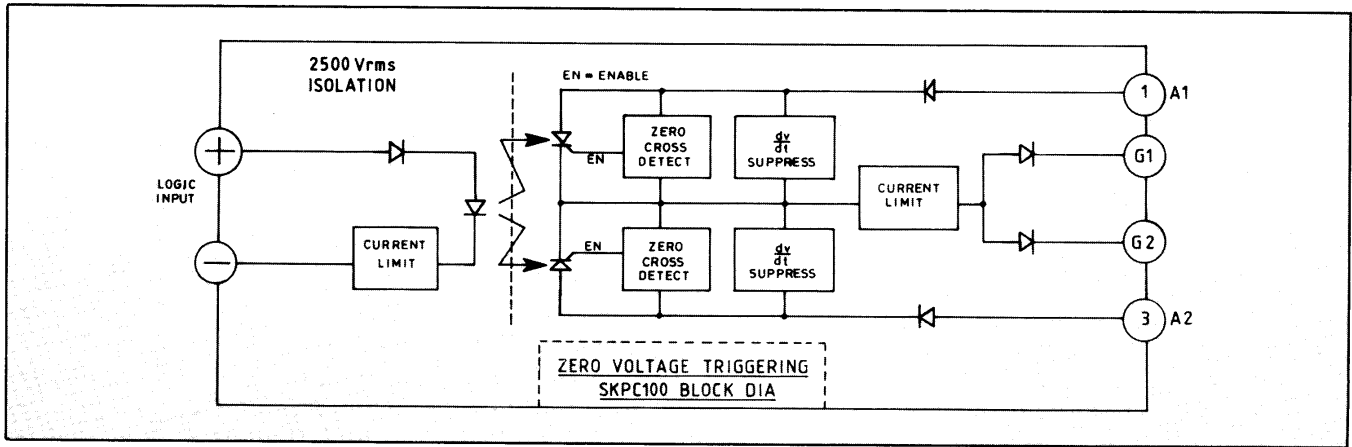
SKPC100Z
ZERO VOLTAGE
TRIGGER
CONTROL MODE

MAIN FEATURES

- * TTL and CMOS compatible
- * Fully Isolated protected input
- * Conforms to UL, CSA and VDE requirements
- * Triggers, wide range of SCR's
- * Versatile Package

TYPICAL APPLICATIONS

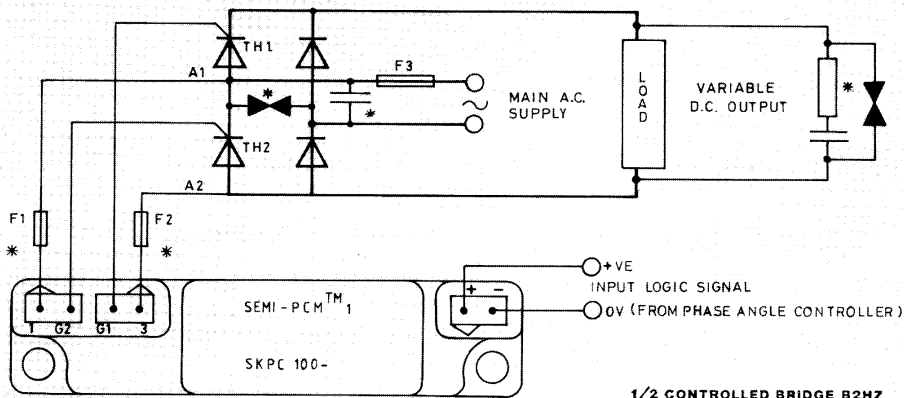
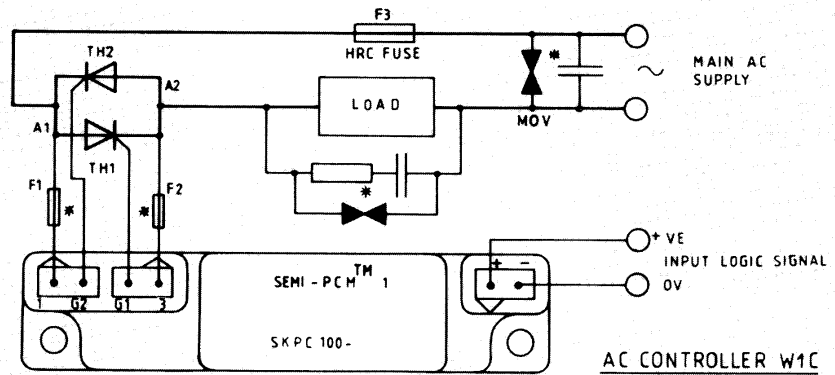
- * High Power Solid State Relays
- * High In-rush Current Loads
- * Phase Angle Control of Heating Loads etc.



NOTES

1. FUSE F1 AND F2 RECOMMENDED: 500mA FAST BLOW (HRC) TYPE
2. USE SKPC100 FOR PHASE ANGLE CONTROL APPLICATIONS
3. USE SKPC100Z FOR ZERO CROSS (SOLID STATE RELAY) APPLICATIONS

* RECOMMENDED PROTECTIVE COMPONENTS



APPLICATION EXAMPLES

