

# INTERBUS Fieldbus Coupler

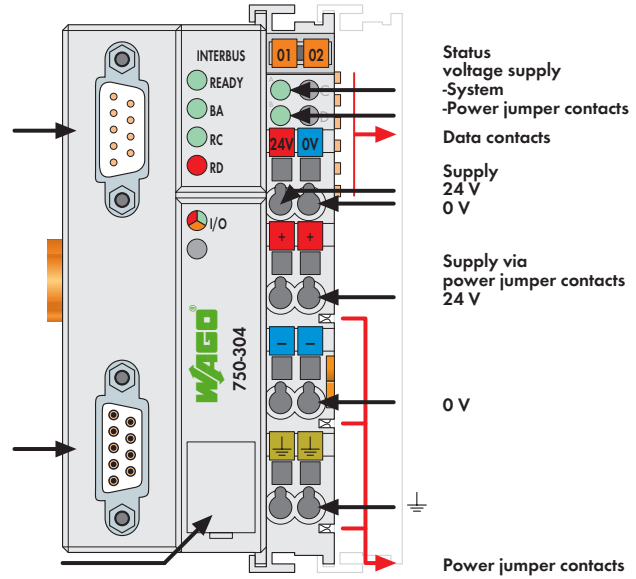
500 Kbaud; digital and analog signals



Fieldbus connection D-Sub, Input

Fieldbus connection D-Sub, Output

Configuration interface



Status voltage supply -System  
-Power jumper contacts

Supply 24 V  
0 V

Supply via power jumper contacts 24 V

0 V

Power jumper contacts


This buscoupler connects the WAGO-I/O-SYSTEM as a slave to the INTERBUS fieldbus.

The buscoupler automatically configures, creating a local process image which may include analog, digital or specialty modules. Analog and specialty module data is sent via words and/or bytes, digital data is sent bit by bit.

INTERBUS stores the process image in the corresponding Master control (PLC, PC or NC).

The local process image is divided into two data zones containing the data received and the data to be sent. The process data can be sent via the INTERBUS fieldbus to the PLC, PC or NC for further processing, and received from the field via INTERBUS. The process data can be sent via the INTERBUS fieldbus to the PLC, PC or NC for further processing, and received from the field via INTERBUS.

The data of the analog modules is stored in the process image which is created automatically according to the order in which the modules are connected to the buscoupler. The bits of the digital modules are sent byte by byte and added to the analog data. If the amount of digital information exceeds 8 bits, the buscoupler automatically starts with a new byte.

Description	Item No.	Pack. Unit
INTERBUS 500 kbd	750-304	1
<b>Accessories</b>		
<b>INTERBUS files</b>	Download: <a href="http://www.wago.com">www.wago.com</a>	
<b>Miniature WSB Quick marking system</b>		
 plain	248-501	5
with marking	see pages 304 ... 305	
<b>Standards and Approvals</b>		
Standard	EN 50254	
Certification	INTERBUS CLUB	
Conformity marking	CE	
UL 508		
ANSI/ISA 12.12.01	Class 1, Div. 2, Grp. ABCD, T4	
EN 60079-15	I M2 / II 3 GD Ex nA IIC T4	

System Data	
No. of couplers connected to Master	256
Max. no. of I/O points	4096 (depends on master)
Transmission medium	Certified Cu cable
Max. length of fieldbus segment	400 m
Baud rate	500 Kbaud
Transmission time	typ. 1.43 ms (10 couplers; 32 digital I/Os per coupler)
Buscoupler connection	1 x D-Sub 9; plug for input interface 1 x D-Sub 9; socket for output interface

