

RACKS 16 Channel

FEATURES

- Automatically Detects OpenLine® I/O Module Types
- Provides Direct Interface for the I/O to OpenDAC® Network Interfaces
- Multiple Termination Options
- Stack up to Two Racks for the 32 I/O channels
- Small Footprint
- DIN Rail Mount
- UL, CSA, CE (See Engineering Info, p. L-6)

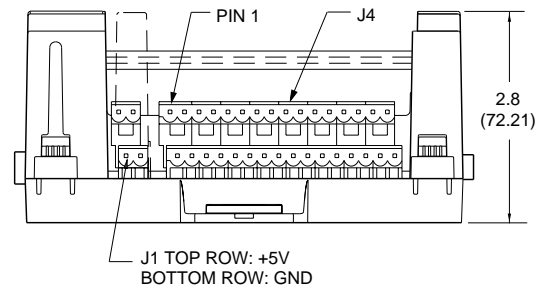
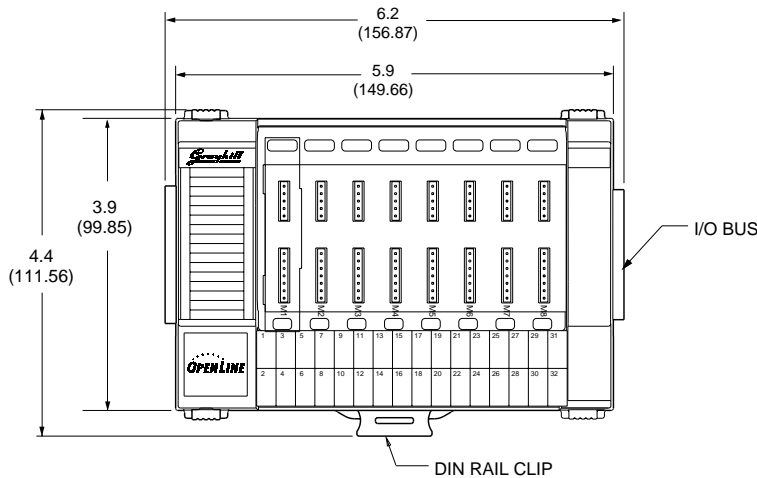


16 CHANNEL RACK: OpenDAC® Rack

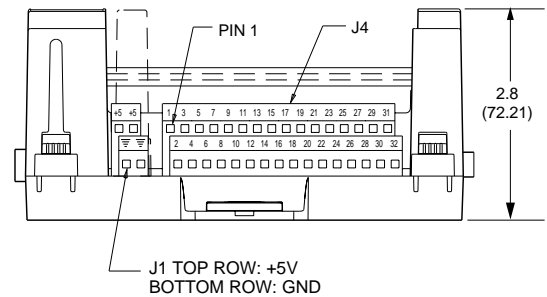
Part No. 70LRCK16-48

Dimensions are shown in inches (and millimeters).

All tolerances are ± 0.010 (0,25) unless otherwise specified.

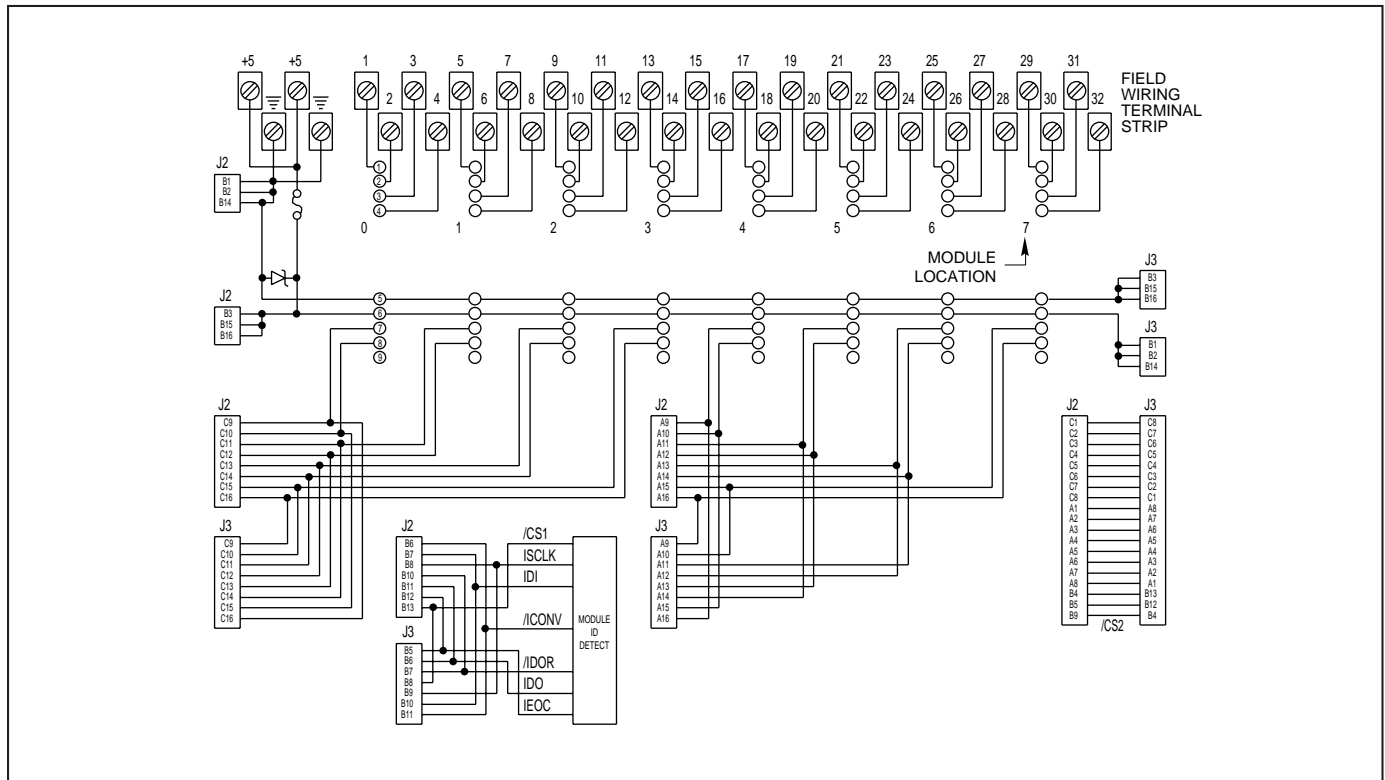


70LRCK16-48P (WP VERSION SOLD WITH PLUGS)



70LRCK16-48

SCHEMATIC: Part No. 70LRCK16-48



ORDERING INFORMATION (MODULES ORDERED SEPARATELY)

Part Number	I/O	Description	UL	CSA	Style
16 Channel Racks					
70LRCK16-48	16	48-pin Euro DIN logic signal connector. DIN rail mount.	X	X	OpenDAC®
70LRCK16-48C	16	48-pin Euro DIN logic signal connector. DIN rail mount with cage clamp style terminal blocks	X	X	OpenDAC®
70LRCK16-48P	16	48-pin Euro DIN logic signal connector. DIN rail mount with pluggable terminal blocks	X	X	OpenDAC®
70LRCK16-48WP	16	48-pin Euro DIN logic signal connector. DIN rail mount with pluggable terminal blocks, plug included	X	X	OpenDAC®

Available from your local Grayhill Distributor. For prices and discounts, contact a local Sales Office, an authorized local Distributor or Grayhill.