

**SERIES 39**

**SPST, 150 mA to 1/2 Amp**

**FEATURES**

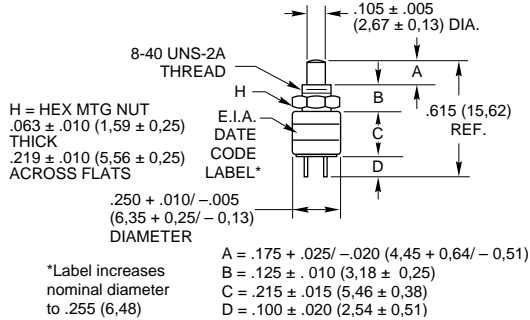
- Requires an Absolute Minimum of Space
- Molded-In Terminals in SPST–N.O.



**DIMENSIONS** In Inches (and millimeters)

**Normally Open–SPST Economy and Standard Version**

39-1  
39-3  
39-601\*



\*Label increases nominal diameter to .255 (6,48)

**Economy Version**

Electrical Ratings	Operations at Rated Load	*Complete Part Number	Button Color	
At 5 Vdc 150 mA	At 20 Vdc 20 mA	1,000,000	39-601 RED 39-601 BLK	Red Black

Action	Total Travel	Actuating Force (oz.)	Mtg. Hole
Momentary	.035 ± .015 (0,89 ± 0,38)	4 + 4 - 2	11/64" (4,37) DIA.

**Standard**

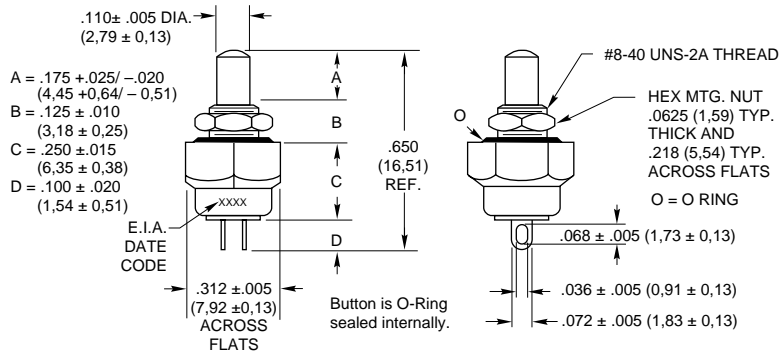
Electrical Ratings	Operations at Rated Load	Complete Part Number	Button Color	
At 115 Vac 1/2 Amp Res.	At 220 Vac 1/4 Amp Res	1,000,000	39-1 39-3	Red Black

Action	Total Travel	Actuating Force (oz.)	Mtg. Hole
Momentary	.035 ± .015 (0,89 ± 0,38)	4 + 4 - 2	11/64" (4,37) DIA.

**Normally Open–SPST with Sealed Bushing and Button**

39-351\*



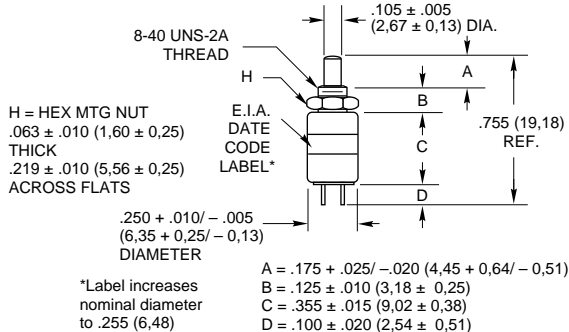
Rating at 115 Vac Resistive	Rating at 220 Vac Resistive	Operations at Rated Load	*Complete Part Number	Button Color
1/2 Amp	1/4 Amp	250,000	39-351 RED 39-351 BLK	Red Black

Action	Total Travel	Actuating Force (oz.)
Momentary	.035 ± .015 (0,89 ± 0,38)	16 ± 8

**Normally Open–SPST with Overtravel**

39-12  
39-24



\*Label increases nominal diameter to .255 (6,48)

Rating at 115 Vac Resistive	Rating at 220 Vac Resistive	Operations at Rated Load	Complete Part Number	Button Color
1/2 Amp	1/4 Amp	100,000	39-12 39-24	Red Black

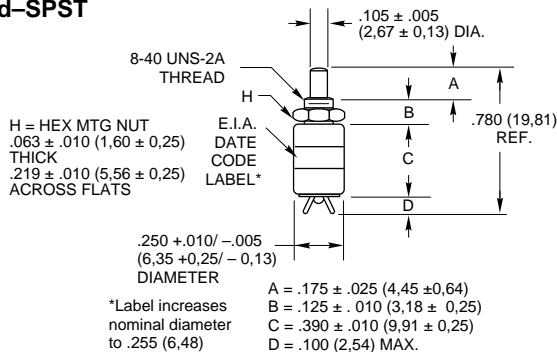
  

Action	Total Travel	Over Travel	Actuating Force (oz.)	Mtg. Hole
Momentary	.130 ± .025 (3,30 ± 0,64)	.015 (0,38) Min.	5 ± 3	11/64" (4,37) DIA.

## DIMENSIONS In Inches (and millimeters)

### Normally Closed-SPST

39-2

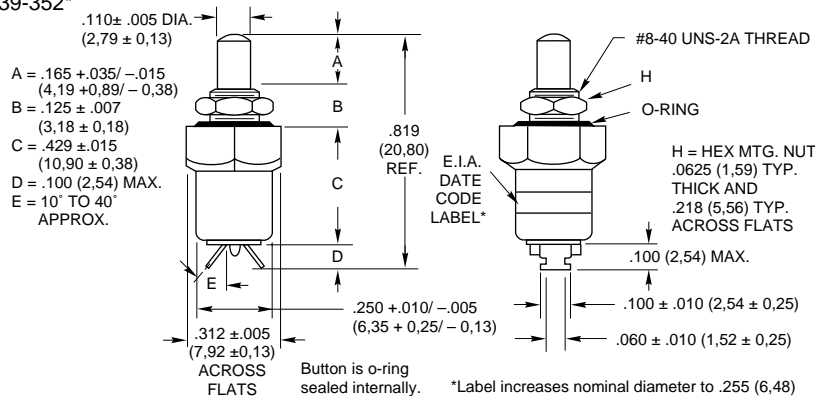


Rating at 115 Vac Resistive	Rating at 220 Vac Resistive	Operations at Rated Load	Part Number	Cap Color
1/4 Amp	1/8 Amp	250,000	39-2	Black

Action	Total Travel	Actuating Force (oz.)	Mtg. Hole
Momentary	.042 ± .010 (1.07 ± 0.25)	+ 4 4 - 2	.172 (4.37) DIA.

### Normally Closed-SPST with Sealed Bushing and Button

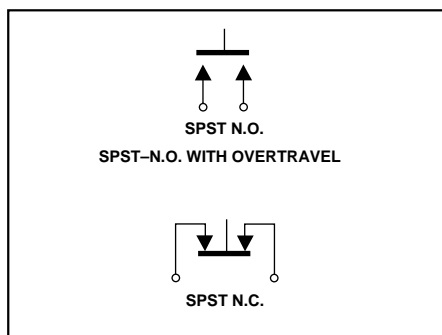
39-352\*



Rating at 115 Vac Resistive	Rating at 220 Vac Resistive	Operations at Rated Load	*Complete Part Number	Button Color
1/4 Amp	1/8 Amp	100,000	39-352 RED 39-352 BLK	Red Black

Action	Total Travel	Actuating Force (oz.)
Momentary	.042 ± .010 (0.17 ± 0.25)	8 ± 4

## CIRCUITRY



## Materials and Finishes

**Mounting Nut:** Brass, cadmium-plated  
**Housing:** Aluminum, clear anodized for 39-351 and 39-352; Brass, cadmium-plated for others  
**Button:** Thermoset plastic  
**Base:** Thermoset plastic  
**Shorting Bar:** Fine silver for 39-2 and 39-352; brass, gold-plated over nickel plate for 39-601; fine silver, gold-plated for others  
**Terminals:** Fine silver for 39-2 and 39-352; commercial bronze with gold-plated fine silver contact surface for others  
**Spring:** Tinned music wire  
**O-Rings:** (39-351 and 39-352) Internal ring is silicone; external ring is buna 'N'

## STANDARD OPTIONS

Epoxy sealed and wire leads, see page D-32.

## ORDERING INFORMATION

Part Number	Description
39-1	N.O., Red Button
39-2	N.C., Black Button
39-3	N.O., Black Button
39-12	N.O., Overtravel Red Button
39-24	N.O., Overtravel Black Button
39-351 RED	N.O., Sealed, Red Button
39-351 BLK	N.O., Sealed, Black Button
39-352 RED	N.C., Sealed, Red Button
39-352 BLK	N.C., Sealed, Black Button
39-601 RED	N.O., Economy, Red Button
39-601 BLK	N.O., Economy, Black Button

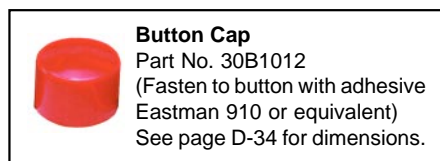
Accessory cap may be used with all switches shown except 39-2.

## SPECIFICATIONS

### Rating Criteria

**Contact Resistance:** 25 milliohms maximum on a new switch  
**Voltage Breakdown:** 1,000 Vac between mutually insulated parts  
**Insulation Resistance:** 1,000 megohms minimum  
**Operating Temperature:** -40°C to +85°C  
**Mounting Torque:** 2 inch-pounds

## ACCESSORY



Accessory Part Number	Description
30B1012-5	Red Button Cap
30B1012-9	Black Button Cap
30B1012-8	White Button Cap

Available from your local Grayhill Distributor. For prices and discounts, contact a local Sales Office, an authorized local Distributor or Grayhill.