

DATA SHEET

page 1/4

Form 488-070924

Description

Part Numbers	Description
ODC5Q	4-Channel DC Output 5–60 VDC, 5 VDC Logic
ODC5AQ	4-Channel DC Output 5–200 VDC, 5 VDC Logic

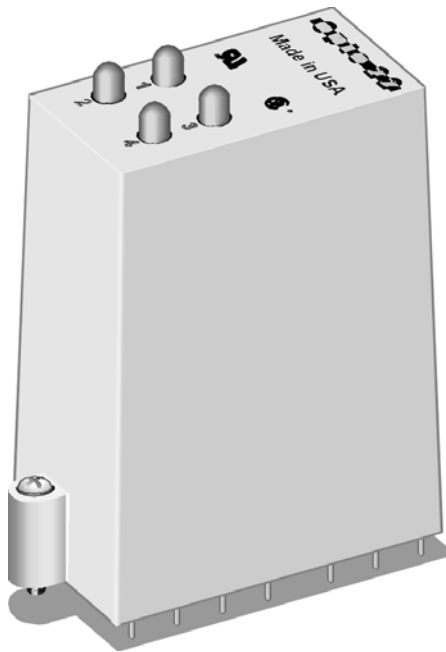
Quad Pak modules contain the equivalent of four single channel I/O circuits in a single high-density package. Each Quad Pak module is divided into two pairs of channels with each pair sharing a common connection. The Quad Pak modules are designed to plug into the Quad Pak high-density I/O mounting racks only and cannot be plugged into single channel racks. Quad Pak modules are designed to work with a 5 VDC logic voltage only and can be used with Optomux, Pamux, and Mystic protocol brain boards and mounting racks as well as racks using a direct cable connection to a computer.

DC output modules are used for controlling or switching DC loads. Each module provides up to 4,000 V_{rms} of optical isolation between the field devices and the control logic.

Typical uses and applications for DC output modules include switching the following loads:

- DC Relays
- DC Solenoids
- DC Motor Starters
- DC Lamps or Indicators

All Quad Pak DC outputs are current sourcing outputs. The module connection to the load is the positive connection.



DATA SHEET

page 2/4

Form 488-070924

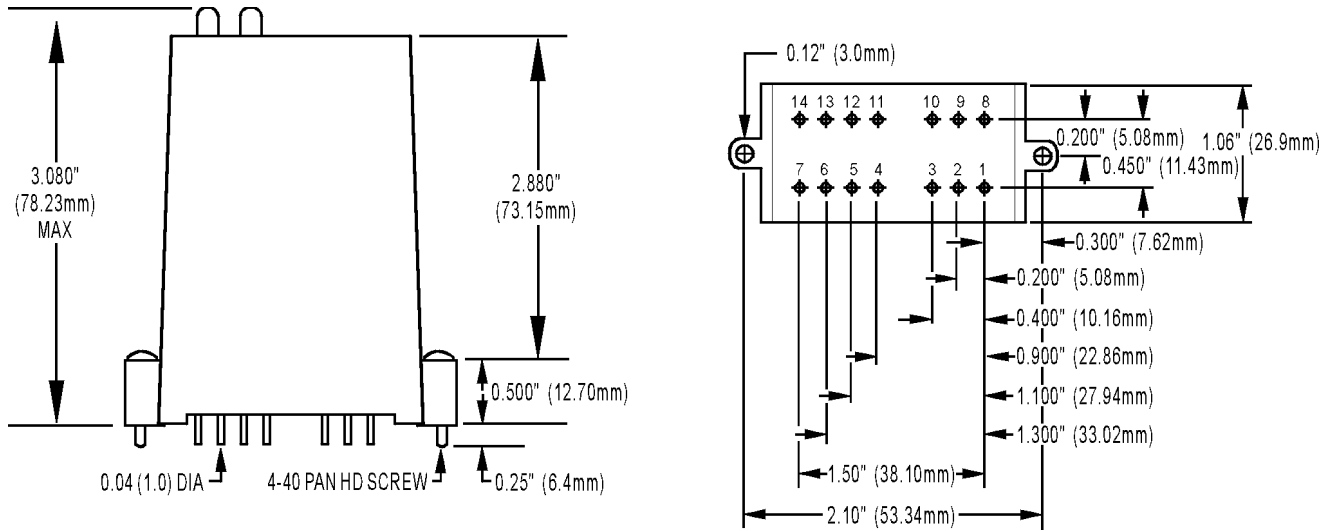
Specifications

	Units	ODC5Q	ODC5AQ
Line Voltage - Maximum	VDC	60	200
Operating Voltage Range	VDC	5-60	5-200
Current Rating (each channel)			
@ 20° C Ambient	Amps	3	1
@ 45° C Ambient	Amps	2	1
@ 70° C Ambient	Amps	1	0.55
Off-state Leakage @ Maximum Voltage	mA	1	2
Logic Voltage - Nominal	VDC	5	5
Logic Voltage Range (Vcc)	VDC	4-8	4-8
Logic Pickup Voltage	VDC	4.0	4.0
Logic Dropout Voltage	VDC	2.3	2.3
Logic Input Current @ Nominal Logic Voltage	mA	12	12
Control Resistance	Ohms	220	220
One-Second Surge	Amps	5	5
Operating Ambient Temperature	°C	-30 to 70	-30 to 70
Isolation Input-to-Output	Vrms	4,000	4,000
Turn-on Time	µs	100	100
Turn-off Time	µs	750	750
Output Voltage Drop Maximum	Volts	1.6	1.6

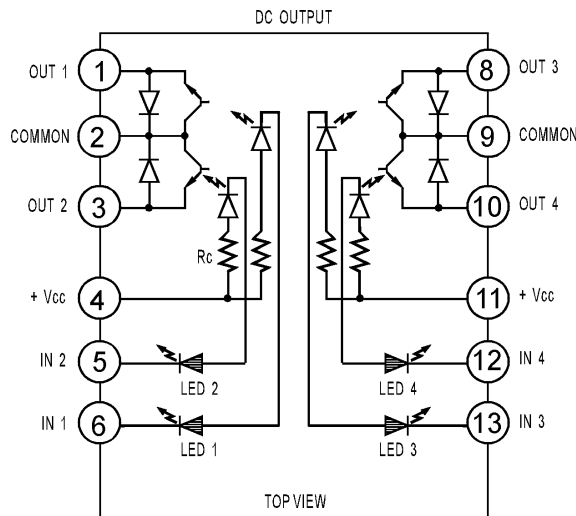
DATA SHEET



Form 488-070924

Dimensions



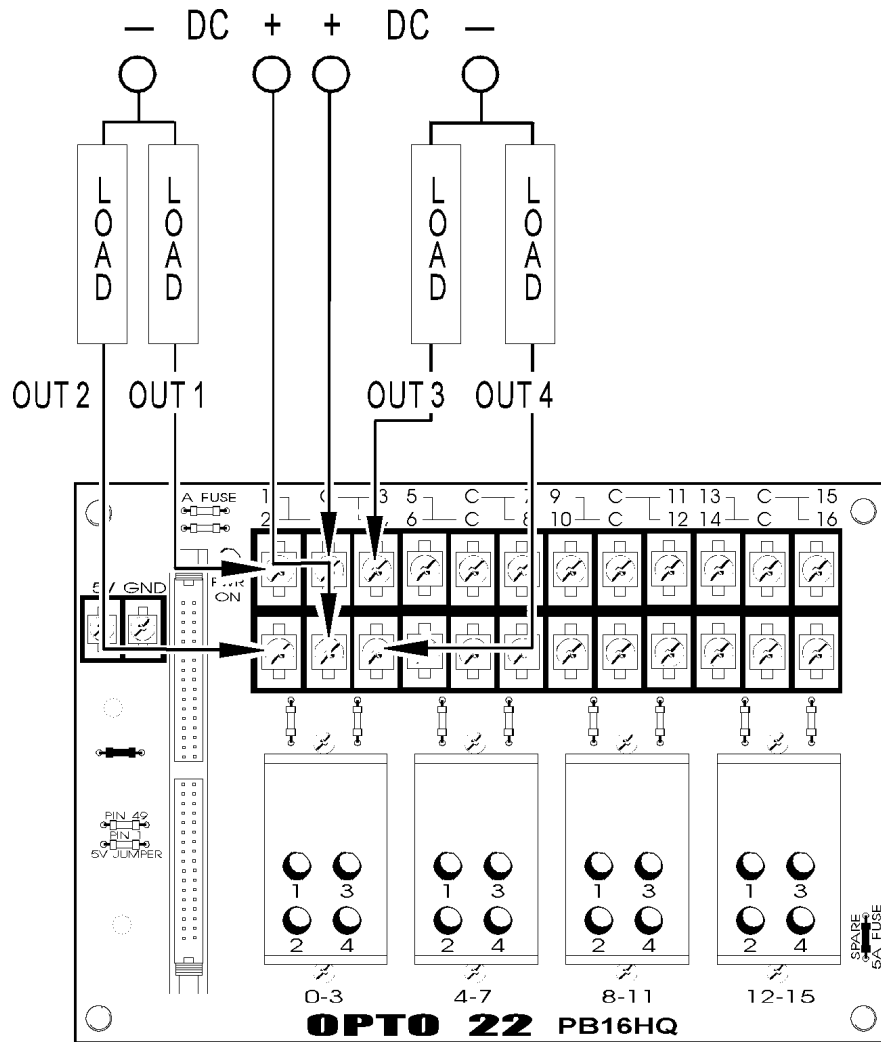
Schematics



-  RED INDICATOR LED
-  INFRARED COUPLER LED
- EQUIVALENT CIRCUIT ONLY
- NEGATIVE TRUE LOGIC
- INDUCTIVE LOADS MUST BE DIODE SUPPRESSED

Form 488-070924

Connections



More About Opto 22

Products

Opto 22 develops and manufactures reliable, flexible, easy-to-use hardware and software products for industrial automation, remote monitoring, and data acquisition applications.

SNAP PAC System

Designed to simplify the typically complex process of understanding, selecting, buying, and applying an automation system, the SNAP PAC System consists of four integrated components:

- SNAP PAC controllers
- PAC Project™ Software Suite
- SNAP PAC brains
- SNAP I/O™

SNAP PAC Controllers

Programmable automation controllers (PACs) are multifunctional, multidomain, modular controllers based on open standards and providing an integrated development environment.

Opto 22 has been manufacturing PACs for many years. The latest models include the standalone SNAP PAC S-series and the rack-mounted SNAP PAC R-series. Both handle a wide range of digital, analog, and serial functions and are equally suited to data collection, remote monitoring, process control, and discrete and hybrid manufacturing.

SNAP PACs are based on open Ethernet and Internet Protocol (IP) standards, so you can build or extend a system without the expense and limitations of proprietary networks and protocols.

PAC Project Software Suite

Opto 22's PAC Project Software Suite provides full-featured and cost-effective control programming, HMI (human machine interface) development and runtime, OPC server, and database connectivity software to power your SNAP PAC System.

These fully integrated software applications share a single tagname database, so the data points you configure in PAC Control™ are immediately available for use in PAC Display™, OptoOPCServer™, and OptoDataLink™. Commands are in plain English; variables and I/O point names are fully descriptive.

PAC Project Basic offers control and HMI tools and is free for download on our website, www.opto22.com. PAC Project Professional, available for separate purchase, adds OptoOPCServer, OptoDataLink, options for Ethernet link redundancy or segmented networking, and support for legacy Opto 22 serial *mistic*™ I/O units.

SNAP PAC Brains

While SNAP PAC controllers provide central control and data distribution, SNAP PAC brains provide distributed intelligence for I/O processing and communications. Brains offer analog, digital, and serial functions, including thermocouple linearization; PID loop control; and optional high-speed digital counting (up to 20 kHz), quadrature counting, TPO, and pulse generation and measurement.

SNAP I/O

I/O provides the local connection to sensors and equipment. Opto 22 SNAP I/O offers 1 to 32 points of reliable I/O per module, depending on the type of module and your needs. Analog, digital, serial, and special-purpose modules are all mixed on the same mounting rack and controlled by the same processor (SNAP PAC brain or rack-mounted controller).

Quality

Founded in 1974 and with over 85 million devices sold, Opto 22 has established a worldwide reputation for high-quality products. All are made in the U.S.A. at our manufacturing facility in Temecula, California. Because we do no statistical testing and each part is tested twice before leaving our factory, we can guarantee most solid-state relays and optically isolated I/O modules for life.

Free Product Support

Opto 22's Product Support Group offers free, comprehensive technical support for Opto 22 products. Our staff of support engineers represents decades of training and experience. Product support is available in English and Spanish, by phone or email, Monday through Friday, 7 a.m. to 5 p.m. PST.

Free Customer Training

Hands-on training classes for the SNAP PAC System are offered at our headquarters in Temecula, California. Each student has his or her own learning station; classes are limited to nine students. Registration for the free training class is on a first-come, first-served basis. See our website, www.opto22.com, for more information or email training@opto22.com.

Purchasing Opto 22 Products

Opto 22 products are sold directly and through a worldwide network of distributors, partners, and system integrators. For more information, contact Opto 22 headquarters at 800-321-6786 or 951-695-3000, or visit our website at www.opto22.com.

www.opto22.com