

I/O MODULES

Our line of pluggable input and output modules provide a low cost, versatile method for interconnecting real world analog and digital signals to data acquisition, monitoring, or control systems. All modules provide an optically isolated barrier between sensitive microprocessor or digital logic circuits and field power devices.

In the G5 and OpenLine® packages, analog and digital I/O modules are available with the same pin-out. This gives the flexibility of mixing and matching module types on the same mounting rack or base; making them perfect in applications which require interface to a variety of different sensors and loads.

The case color of the single point modules identify their function. The industry standard for single point I/O module case colors is:

- Digital AC Output Module = Black Case
- Digital DC Output Module = Red Case
- Digital AC Input Module = Yellow Case
- Digital DC Input Module = White Case

DIGITAL OUTPUT MODULES

Digital output modules are used to switch AC and DC loads such as solenoids, motors, or lamps from logic signal levels. Their inputs are directly compatible with TTL or CMOS interface circuitry.

AC output modules have zero voltage turn-on of the load to greatly reduce generated EMI and RFI. They are highly immune to electrical

transients, and have built-in RC snubber networks for increased capability with inductive loads.

DC output modules can operate DC loads over a wide voltage range and have built-in voltage spike protection.

DIGITAL INPUT MODULES

Digital input modules are used to monitor the status of a load or a sensor (such as a limit switch, pressure switch, or temperature switch). The output of these modules is a logic level signal which corresponds to the status of the device being monitored. A high level output signal indicates the load is off (the switch is open). A low level output signal indicates the load is on (the switch is closed). Input modules are designed to give fast, clean switching by providing filtering and hysteresis.

Input and output modules are compatible in that the output of one can drive the input of the other.

UL, CSA AND CE APPROVALS

As one of the world's leading manufacturers of I/O modules, we strive to assure that our products comply with all of the applicable international standards. In doing so, we believe your products will also be readily accepted and easily certified. All modules shown in this section have been tested to UL Standard 508 and are documented in UL file number E58632. Similarly, they have been tested to CSA

Standard 22.2 No. 14-95M and are documented in CSA file LR38763. Additionally, OpenLine® modules were tested and passed CSA 22.2 No. 213-M1987 Class I, Div. 2 Groups A, B, C and D. Parts bearing the CE logo indicate conformance with EN50082-2 and EN50081-2 (89/336/EEC EMC directive) as well as EN60950 (61010-1) for the low voltage directive. Contact Grayhill for copies of our Declaration of Conformity or visit our website. Parts bearing the TÜV logo indicate that they were the agency which performed the EN60950 evaluation.

CONSTRUCTION AND LIFETIME WARRANTY

All of our I/O modules are hard potted with thermally conductive epoxy to withstand harsh industrial environments. The modules provide optical isolation, immunity to mechanical shock and vibration, and operate over a wide temperature range. The module cases are a solvent resistant thermoplastic which meets UL94-V-0 rating. The terminal pins are a tinned copper wire. Component selection and surface mount construction allow low operating junction temperatures for long life. Superior design, rigorous testing, and field data give us the confidence to back our I/O modules with the industry's first lifetime warranty.

I/O MODULE WIRING

Analog and digital modules can be placed at any I/O location, however, to minimize the possibility of crosstalk and noise pickup it is a good practice to group similar module types together. 14 or 16 gauge wire is typically used to wire the field devices to the I/O rack terminal block.

PART NUMBER EXPLANATION: Digital I/O Modules

I/O Modules

70M-ODC5A

Module Type

70 = Digital Module, Standard Package
70G = Digital Module, G5 Package
70L = Digital Module, OpenLine® Package
70M = Digital Module, Mini Package

Function

OAC = Digital Output AC
ODC = Digital Output DC
IAC = Digital Input AC
IDC = Digital Input DC

Suffix

AC Inputs:	Blank = 120 Vac	A = 220 Vac	
DC Inputs:	Blank = 3-32 Vdc	B = Fast Switching	NP = 15-32 Vac/10-32 Vdc
	G = 35-60 Vac/Vdc	D = 2.5-28 Vdc	K = 2.5-16 Vdc
	L = Inductive loads	S = Dry Contacts	

AC Outputs: Blank = 120 Vac A = 220 Vac A-11 = Non-Zero Cross
MA = 120 Vac, Manual Override A-5 = Normally Closed
AMA = 240 Vac, Manual Override

DC Outputs: Blank = 3-60 Vdc Fast A = 4-200 Vdc R = Dry Contact
MA = 3-60 Vdc, Manual Override B = 3-60 Vdc, Low Leakage

Logic Supply Voltage or Range

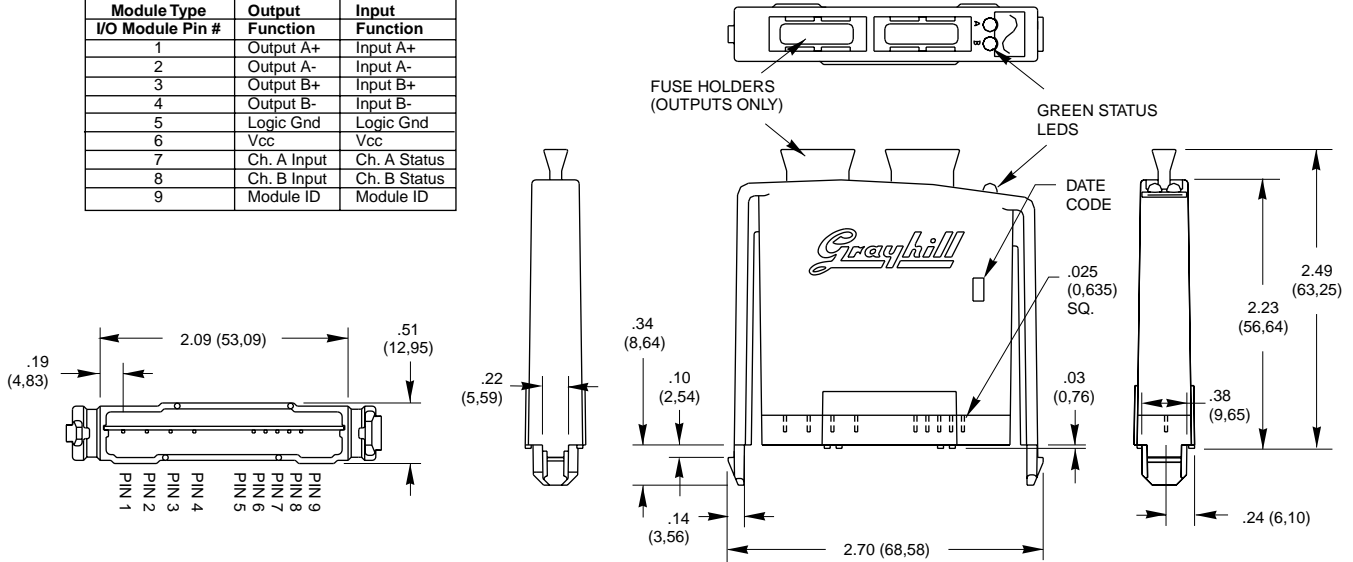
Digital Modules: Blank = 4.5-28 Vdc (OpenLine®)
5 Vdc, 15 Vdc, 24 Vdc = Logic Supply Voltage (Standard, Mini, G5)

Analog Modules: 4.75-5.25 Vdc

DIMENSIONS: OpenLine® Digital Modules

Dimensions shown in inches (and millimeters).
Tolerances are ± .010 (0,25) unless indicated otherwise.

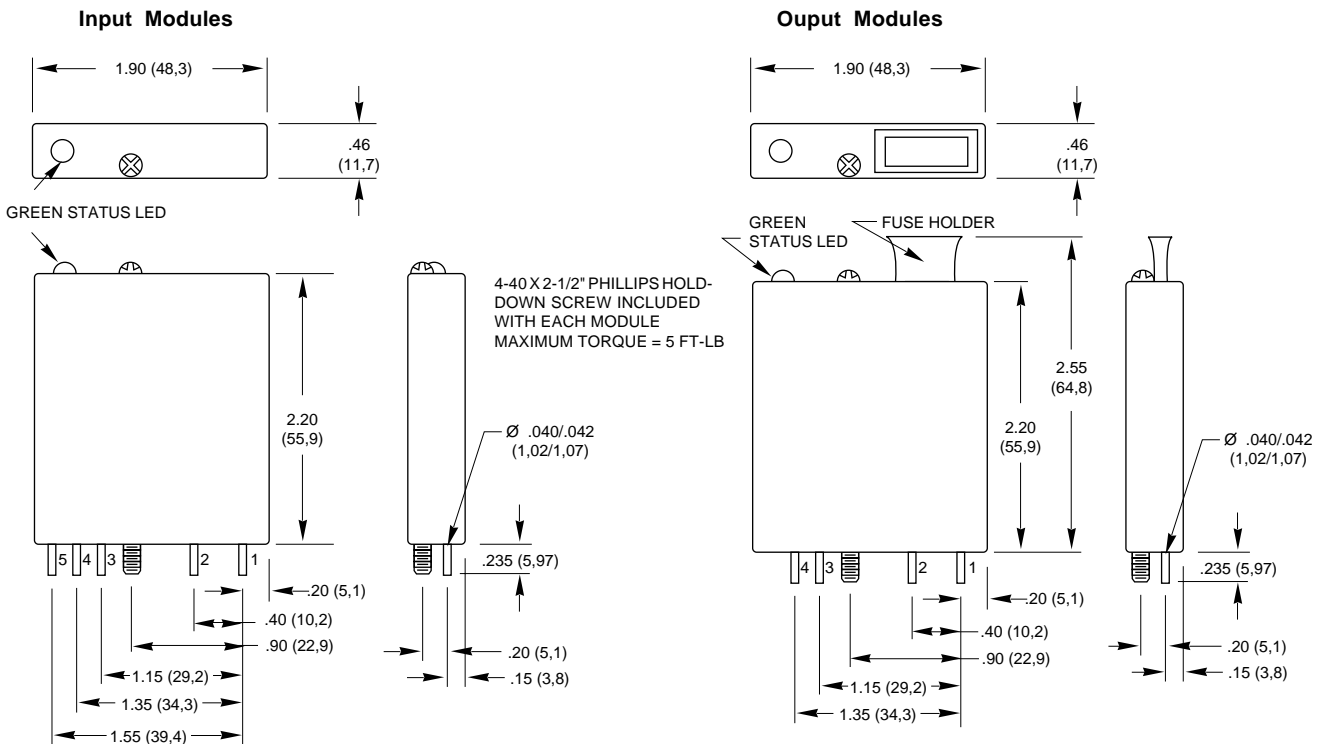
Module Type	Output	Input
I/O Module Pin #	Function	Function
1	Output A+	Input A+
2	Output A-	Input A-
3	Output B+	Input B+
4	Output B-	Input B-
5	Logic Gnd	Logic Gnd
6	Vcc	Vcc
7	Ch. A Input	Ch. A Status
8	Ch. B Input	Ch. B Status
9	Module ID	Module ID



Note: For PC board layout information, request Bulletin #745

DIMENSIONS: G5 Digital Modules

Dimensions shown in inches (and millimeters).
Tolerances are ± .010 (0,25) unless indicated otherwise.

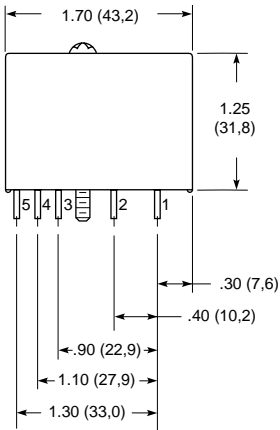
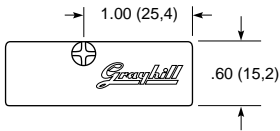


I/O Modules

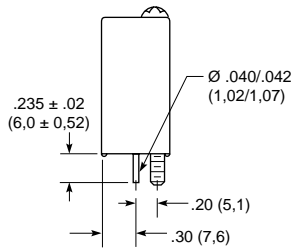
DIMENSIONS: Standard and Miniature Digital Modules

Dimensions shown in inches (and millimeters).
Tolerances are $\pm .010$ (0,25) unless indicated otherwise.

Standard Module

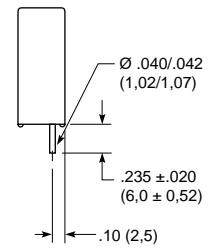
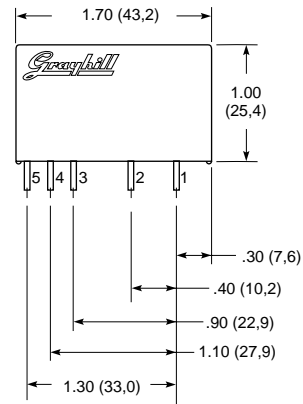
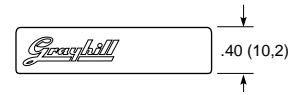


4-40 X 1-1/2" PHILLIPS HOLD-DOWN SCREW INCLUDED WITH EACH MODULE
MAXIMUM TORQUE = 5 FT-LB



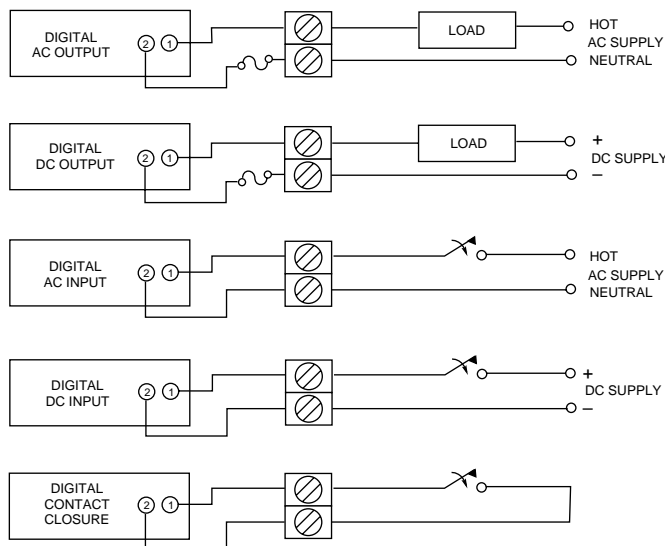
OUTPUT MODULES HAVE ONLY TERMINALS NUMBER 1-4

Miniature Module



OUTPUT MODULES HAVE ONLY TERMINALS NUMBER 1-4

WIRING DIAGRAM: Digital I/O Modules



I/O MODULE SIZE



Miniature
Saves 35% Space



Standard
Compatible Industry Size



G5
Fused Outputs,
Integral LED



OpenLine®
Two Channel,
Fused Outputs,
Integral LED

FUNCTION

(Check Specifications for Input and Output combinations, Feature or Option availability.)



Digital AC Output	Load	Control Vcc	Unique Options	See pages L-7 to L-8
	120 Vac 220 Vac	5 Vdc 15 Vdc 24 Vdc 4.5-28 Vdc	Random Turn-on Normally Closed Manual Override Inductive Load	



Digital DC Output	Load	Control Vcc	Unique Options	See pages L-9 to L-14
	60 Vdc 200 Vdc	5 Vdc 15 Vdc 24 Vdc 4.5-28 Vdc	Dry Contacts Manual Override	



Digital AC Input	Supply Vcc	Input Voltage	Unique Options	See pages L-15 to L-16
	5 Vdc 15 Vdc 24 Vdc 4.5-28 Vdc	120 Vac 220 Vac	High DC Voltage Input	



Digital DC Input	Supply Vcc	Input Voltage	Unique Options	See pages L-17 to L-21
	5 Vdc 15 Vdc 24 Vdc 4.5-28 Vdc	3 to 32 Vdc	10 to 32 Vdc/ 15 to 32 Vac 8 KHz Switching 35 to 60 Vac/Vdc Contact Closure	



Test Digital I/O Modules

Module Calibrator/Programmer

The field programmer can be used to test, calibrate and transfer data to smart OpenLine® modules. On-board switches also allow testing of

digital I/O modules. The programmer connects to a PC through an RS-232 serial port. Software is included to communicate with smart I/O modules.

ORDERING INFORMATION

Part Number	Description
Programmer/Calibrator	
70L-PROG	Field programmer/calibrator for OpenLine® I/O