

**EXCELON®72
Pressure Regulator
1/4", 3/8" Port Sizes**

- EXCELON design allows in-line installation or modular installation with other Excelon 72 products
- Full flow gauge ports
- Balanced valve design for optimum pressure control
- Push to lock adjusting knob with tamper resistant accessory
- R72R reverse flow option


Technical Data

Fluid: Compressed air

Maximum pressure: 20 bar (290 psig)

Operating temperature*: -20° to +65°C (0° to +150°F)

* Air supply must be dry enough to avoid ice formation at temperatures below 2°C (35°F).

Approximate flow at 10 bar (145 psig) inlet pressure, 6,3 bar (90 psig) set pressure and a droop of 1 bar (15 psig) from set:
33 dm³/s (70 scfm)

Gauge ports:

1/8" PTF with PTF main ports

1/8" ISO Rc with ISO Rc main ports

1/8" ISO Rc with ISO G main ports

Materials:

Body: Zinc

Bonnet: Acetal

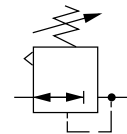
Valve: Brass

Elastomers: Nitrile

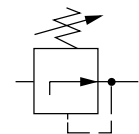
Bottom plug: Acetal

Ordering Information

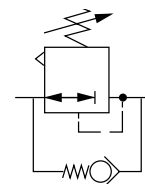
See *Ordering Information* on the following pages.

ISO Symbols


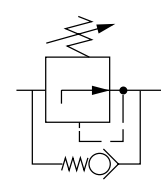
R72G Relieving



R72G Non Relieving



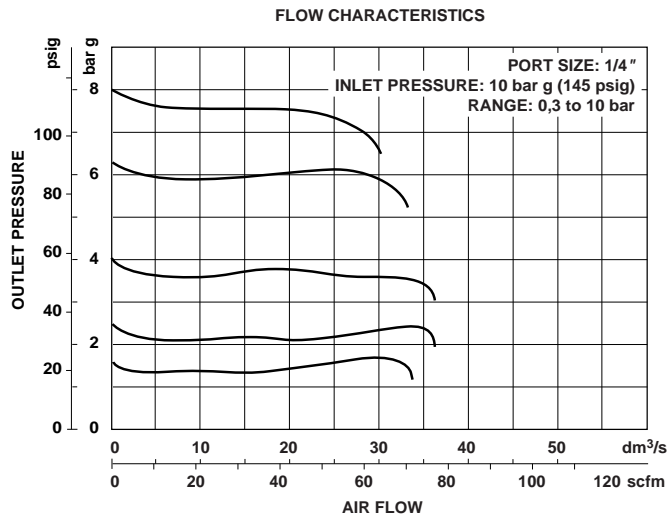
R72R Relieving



R72R Non Relieving



Typical Performance Characteristics



Ordering Information. Models listed include unidirectional flow, ISO G threads, knob adjustment, relieving diaphragm, 0,3 to 10 bar (5 to 145 psig) outlet pressure adjustment range* without gauge.

Port Size	Model	Flow [†] dm ³ /s (scfm)	Weight kg (lb)
G1/4	R72G-2GK-RMN	33 (70)	0,36 (0.79)
G3/8	R72G-3GK-RMN	33 (70)	0,36 (0.79)

[†] Typical flow with 10 bar (145 psig) inlet pressure, 6,3 bar (90 psig) set pressure and a 1 bar (15 psig) droop from set.

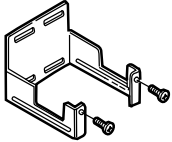
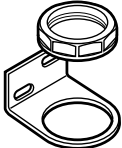


Alternative Models

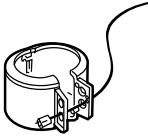
Flow Type		Port Size		Threads		Gauge		Outlet Pressure Adjustment Range*		Diaphragm		Adjustment			
Standard	Reverse flow	1/4"	3/8"	PTF	ISO Rc taper	ISO G parallel	With	Without	0,3 to 2 bar (5 to 30 psig)	0,3 to 4 bar (5 to 60 psig)	0,3 to 10 bar (5 to 145 psig)	Relieving	Non Relieving	Knob	T-bar
G	R	2	3	A	B	G	G	N	C	F	M	R	N	K	T

* Outlet pressure can be adjusted to pressures in excess of, and less than, those specified. Do not use these units to control pressures outside of the specified ranges.



Accessories

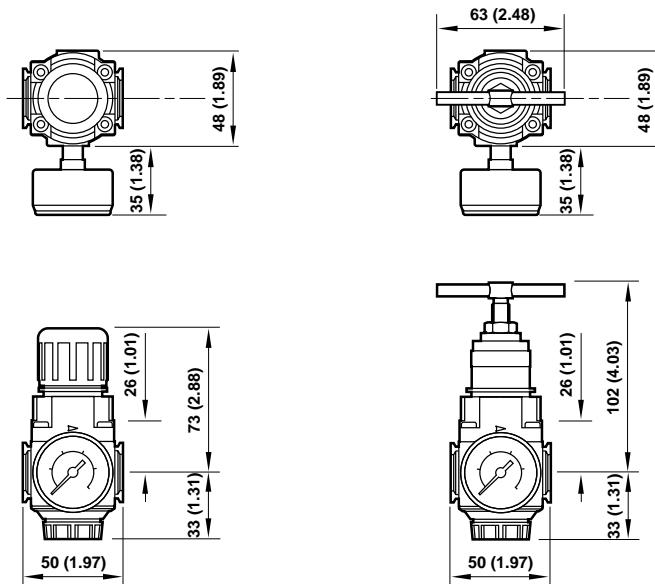
 Wall Mounting Bracket 4224-50	 Neck Mounting Bracket 74316-50 Includes plastic panel nut	 Ø 40 mm Pressure Gauge R1/8 Connection 1/8 PTF Connection	 Plastic Panel Nut 4248-89		
		4 bar (60 psig):	18-013-990	18-013-211	
		10 bar (150 psig):	18-013-989	18-013-212	
		25 bar (360 psig):	18-013-908		

 Tamper Resistant Cover and Seal wire 4255-51 Seal Wire: 2117-01

Dimensions mm (inches)

Panel mounting hole diameter: 40 mm (1.57")

Panel thickness: 0 to 4 mm (0" to 0.16")

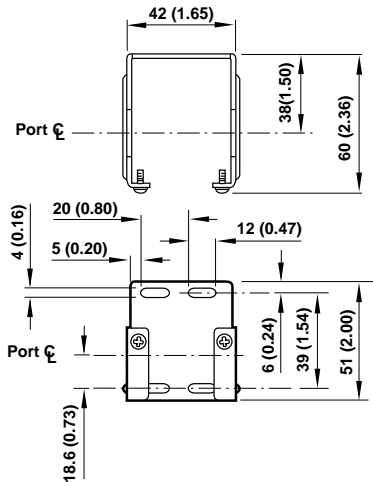




Bracket Mounting

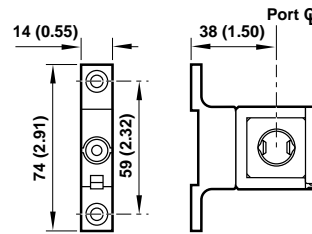
Wall Bracket

Use 4 mm (5/32") screws to mount bracket to wall.



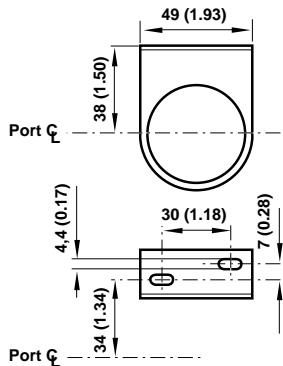
Quikclamp and Quikclamp Wall Bracket

Use 5 mm (3/16") screws to mount bracket to wall.



Neck Mounting for B72, R72, V72, includes plastic panel nut

Use 4 mm (5/32") screws to mount bracket to wall.



Bracket Kit Reference

Item	Part Number
Wall bracket	4224-50
Neck mounting wall bracket	74316-50
Quikclamp and Quikclamp wall bracket	4214-52

Service Kits

Item	Type	Part Number
Service kit	Relieving	4381-500
	Non relieving	4381-501

Service kit includes diaphragm assembly, valve assembly, valve spring and o-rings.

Warning

These products are intended for use in industrial compressed air systems only. Do not use these products where pressures and temperatures can exceed those listed under 'Technical Data'.

Before using these products with fluids other than those specified, for non-industrial applications, life-support systems, or other applications not within published specifications, consult NORGREN.

Through misuse, age, or malfunction, components used in fluid power systems can fail in various modes. The system designer is warned to consider the failure modes of all component parts used in fluid power systems and to provide adequate safeguards to prevent personal injury or damage to equipment in the event of such failure.

System designers must provide a warning to end users in the system instructional manual if protection against a failure mode cannot be adequately provided.

System designers and end users are cautioned to review specific warnings found in instruction sheets packed and shipped with these products.

Water vapor will pass through these units and will condense into liquid if air temperature drops in the downstream system. Install an air dryer if water condensation could have a detrimental effect on the application.