

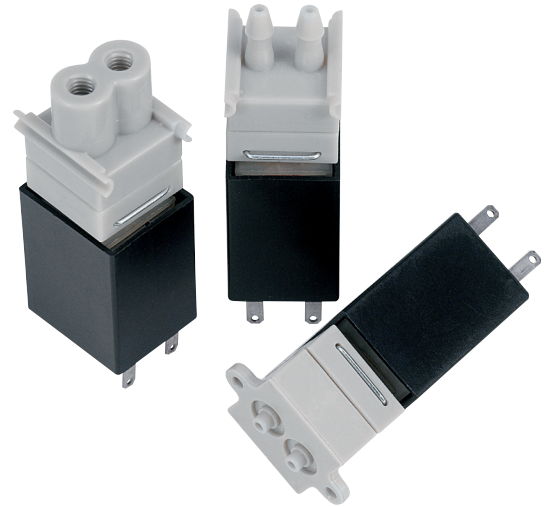
## Chem-S™ Series – Subminiature

- ▶ MOPD: 70 PSI
- ▶  $C_v$  Range: 0.016 to 0.040
- ▶ 2 Watts

The Chem-S™ utilizes revolutionary diaphragm technology in a liquid compatible, sub-miniature inert isolation valve. With a compact size, flexible diaphragm design, low power consumption, and low cost the Chem-S provides a unique and valuable option for the medical and scientific instrumentation industries. The Chem-S specifically targets the performance and price void between the limited pinch valve and the very expensive rocker style solenoid.

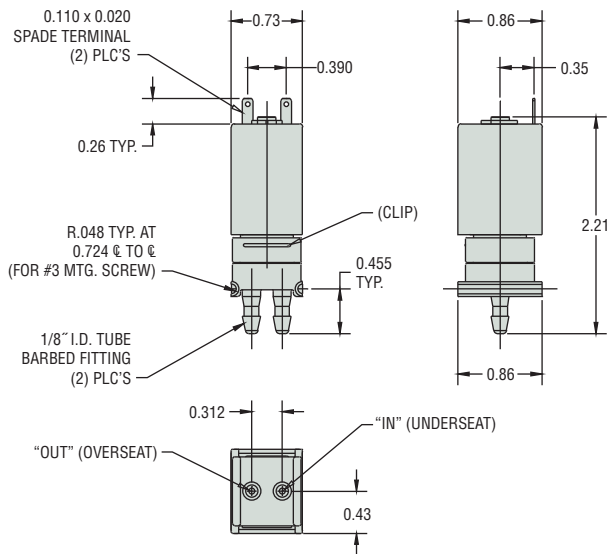
### Typical Applications

- Analytical Instrumentation
- Clinical Chemistry Equipment
- Medical Diagnostic and Testing Machinery

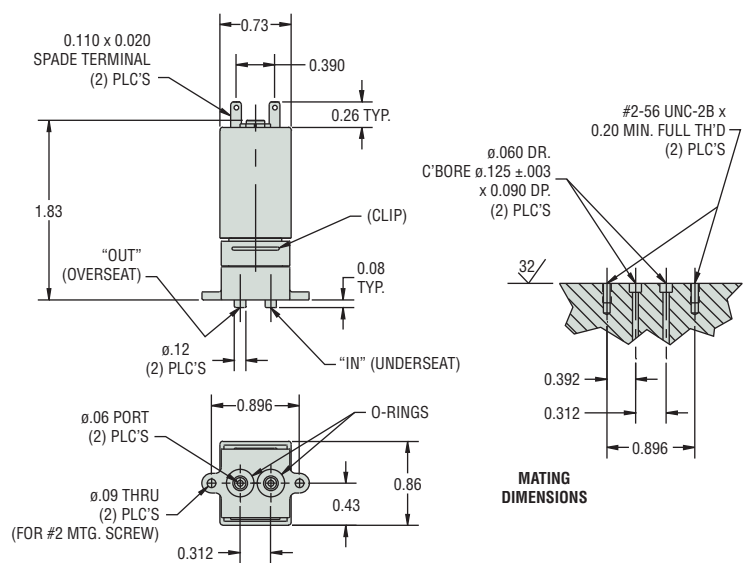


### Dimensions

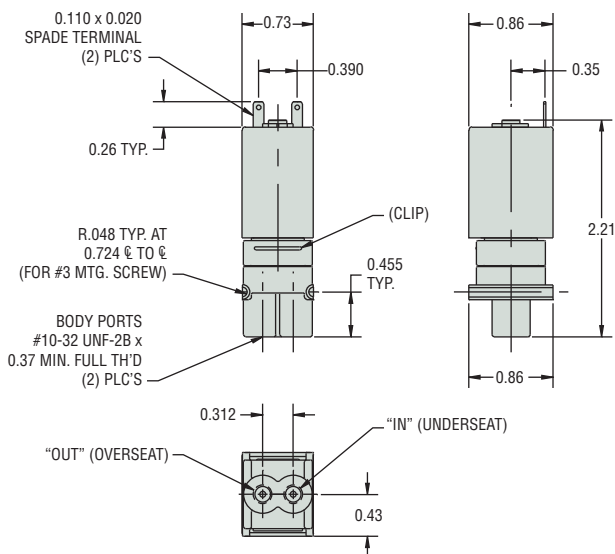
#### Barb Port Body



#### Manifold Mount Body

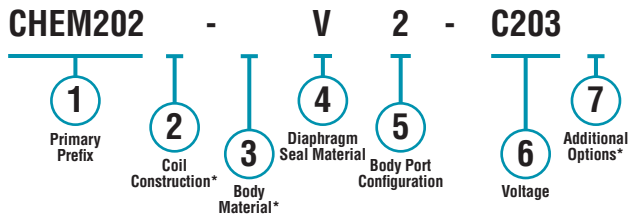


#### Threaded Port Body



## How To Order

Use the **Bold** characters from the choices listed on the following page to construct a product code.



\* Blank entry indicates a "Standard" selection  
(Quick connect 0.110 spade and Polyurethane (Isoplast™), in this case).

### Example:

CHEM202-V2-C203

2-Way N.C. solenoid valve, with quick connect 0.110 spade, polyurethane (Isoplast™) body, Viton® diaphragm seal, manifold mount, operating at 12 VDC.

## Part Prefix Table ①

Orifice	MOPD (psig)	C <sub>v</sub>	① Primary Prefix
		Body	
0.031	70	0.016	CHEM202
0.052	25	0.040	CHEM205

### ② Coil Construction

(blank) = Quick connect 0.110 spade\*

### ③ Body Material

(blank) = Polyurethane (Isoplast™)\*

### ④ Diaphragm Seal Material

V = Viton®

E = EPDM

### ⑤ Body Port Configuration

1 = 1/8" barb

2 = Manifold mount†

3 = #10-32 flat bottom straight thread ports

### ⑥ Voltage

C201 = 5 VDC

C203 = 12 VDC

C204 = 24 VDC

\_\_\_ VDC = DC (specify voltage)

Please Note: Usable for vacuum applications (0-27" Hg). When using for vacuum applications apply vacuum to "IN" port.

\* Standard selection; will be used unless otherwise specified.  
Standard selections are not referenced in final part number.

† Teflon® o-ring not suitable for manifold mount.

Gems specializes in the design and manufacturing of custom solenoid valves and fluidic systems. If you don't see what you're looking for, or have a question, contact us at 800-378-1600 or [info@gemssensors.com](mailto:info@gemssensors.com).