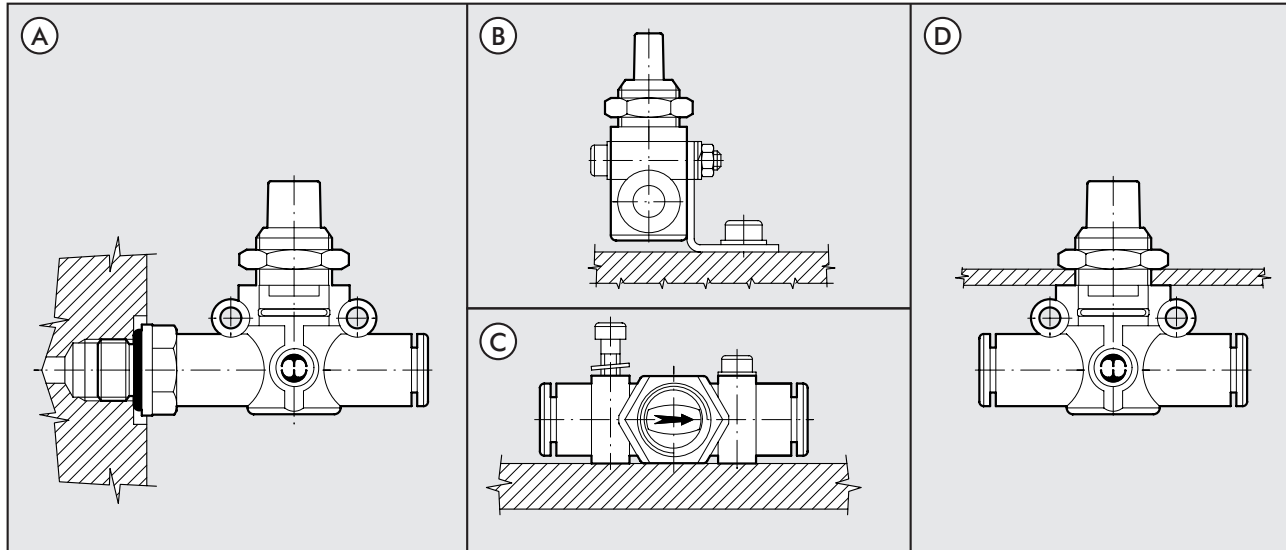




ASSEMBLY OPTIONS

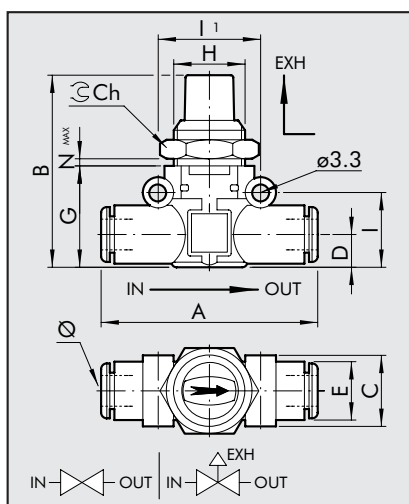


How to mount the V2V/V3V L:

- Fig. A: With the male threaded port it is possible to mount the V2V/V3V L straight onto the female thread.
- Fig. B: Fixing to the plate with the special SQU L bracket.
- Fig. C: There are two robust rings on the plastic body for fixing the V2V/V3V L straight onto the wall.
- Fig. D: the rig nut is screwed onto the threaded metal part of the V2V/V3V L body for panel mounting.

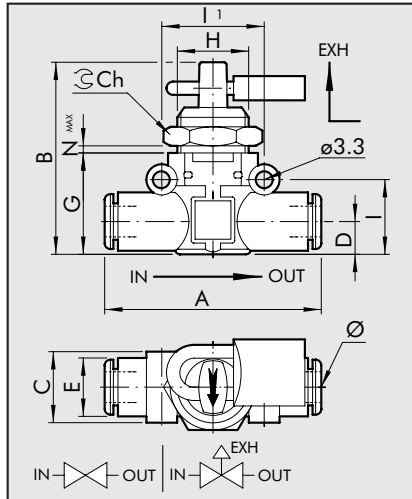
OVERALL DIMENSIONS AND ORDERING CODES

V2V/V3V L PIPE-PIPE	Code	Ref.	Ø	A	B	C	D	E	G	H	I	I1	Ch	Nmax
---------------------	------	------	---	---	---	---	---	---	---	---	---	----	----	------



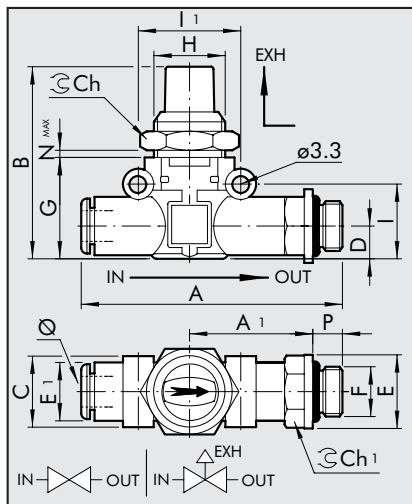
9065016	V2V L 6-6	6	47	41	14.7	6.4	11.4	21	M15x1	14.6	20	17	5.5
9066016	V3V L 6-6												
9065024	V2V L 8-8	8	55.5	46	18.7	9.1	13.8	26	M15x1	18.7	24	17	5.5
9066024	V3V L 8-8												



**V2V/V3V L PIPE-PIPE
PADLOCKED**


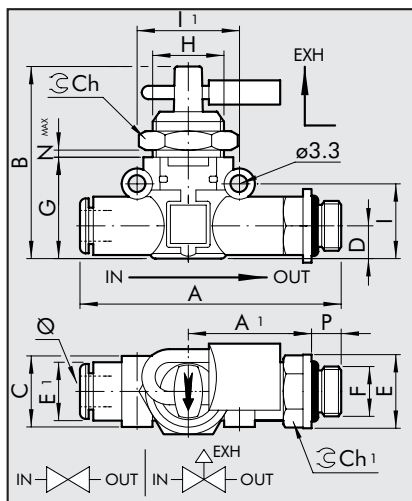
Code	Ref.	Ø	A	B	C	D	E	G	H	I	II	Ch	Nmax
------	------	---	---	---	---	---	---	---	---	---	----	----	------

9065116	V2V L 6-6 KEY	6	47	41	14.7	6.4	11.4	21	M15x1	14.6	20	17	5.5
9066116	V3V L 6-6 KEY												
9065124	V2V L 8-8 KEY	8	55.5	46	18.7	9.1	13.8	26	M15x1	18.7	24	17	5.5
9066124	V3V L 8-8 KEY												

V2V/V3V L PIPE-THREAD


Code	Ref.	Ø	F	P	A	A1	B	C	D	E	E1	G	H	I	II	Ch	Ch1	Nmax
------	------	---	---	---	---	----	---	---	---	---	----	---	---	---	----	----	-----	------

9065208	V2V L 6-1/8	6	1/8	6	57.3	27.8	41	14.7	6.4	14	11.4	21	M15x1	14.6	20	17	12	5.5	
9066208	V3V L 6-1/8																		
9065209	V2V L 6-1/4	6	1/4	8	60.3	28.8	41	14.7	6.4	18	11.4	21	M15x1	14.6	20	17	14	5.5	
9066209	V3V L 6-1/4																		
9065210	V2V L 8-1/8	8	1/8	6	65.3	31.8	46	18.7	9.1	15	13.8	26	M15x1	18.7	24	17	14	5.5	
9066210	V3V L 8-1/8																		
9065211	V2V L 8-1/4	8	1/4	8	69.7	34.2	46	18.7	9.1	18	13.8	26	M15x1	18.7	24	17	14	5.5	
9066211	V3V L 8-1/4																		
9065212	V2V L 8-3/8	8	3/8	9	71.3	34.8	46	18.7	9.1	22	13.8	26	M15x1	18.7	24	17	17	5.5	
9066212	V3V L 8-3/8																		

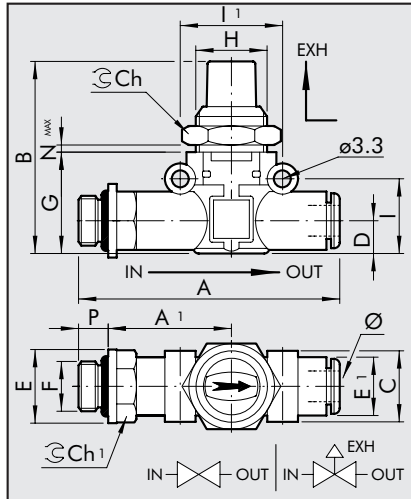
**V2V/V3V L PIPE-THREAD
PADLOCKED**


Code	Ref.	Ø	F	P	A	A1	B	C	D	E	E1	G	H	I	II	Ch	Ch1	Nmax
------	------	---	---	---	---	----	---	---	---	---	----	---	---	---	----	----	-----	------

9065308	V2V L 6-1/8 KEY	6	1/8	6	57.3	27.8	41	14.7	6.4	14	11.4	21	M15x1	14.6	20	17	12	5.5	
9066308	V3V L 6-1/8 KEY																		
9065309	V2V L 6-1/4 KEY	6	1/4	8	60.3	28.8	41	14.7	6.4	18	11.4	21	M15x1	14.6	20	17	14	5.5	
9066309	V3V L 6-1/4 KEY																		
9065310	V2V L 8-1/8 KEY	8	1/8	6	65.3	31.8	46	18.7	9.1	15	13.8	26	M15x1	18.7	24	17	14	5.5	
9066310	V3V L 8-1/8 KEY																		
9065311	V2V L 8-1/4 KEY	8	1/4	8	69.7	34.2	46	18.7	9.1	18	13.8	26	M15x1	18.7	24	17	14	5.5	
9066311	V3V L 8-1/4 KEY																		
9065312	V2V L 8-3/8 KEY	8	3/8	9	71.3	34.8	46	18.7	9.1	22	13.8	26	M15x1	18.7	24	17	17	5.5	
9066312	V3V L 8-3/8 KEY																		



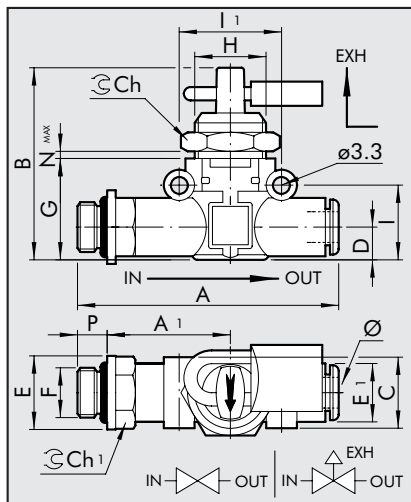
V2V/V3V L THREAD-PIPE



Code	Ref.	F	ϕ	P	A	A1	B	C	D	E	E1	G	H	I	l1	Ch	Ch1	Nmax
------	------	---	--------	---	---	----	---	---	---	---	----	---	---	---	----	----	-----	------

9065408	V2V L 1/8-6	1/8	6	6	57.3	27.8	41	14.7	6.4	14	11.4	21	M15x1	14.6	20	17	12	5.5
9066408	V3V L 1/8-6																	
9065409	V2V L 1/4-6	1/4	6	8	60.3	28.8	41	14.7	6.4	18	11.4	21	M15x1	14.6	20	17	14	5.5
9066409	V3V L 1/4-6																	
9065410	V2V L 1/8-8	1/8	8	6	65.3	31.8	46	18.7	9.1	15	13.8	26	M15x1	18.7	24	17	14	5.5
9066410	V3V L 1/8-8																	
9065411	V2V L 1/4-8	1/4	8	8	69.7	34.2	46	18.7	9.1	18	13.8	26	M15x1	18.7	24	17	14	5.5
9066411	V3V L 1/4-8																	
9065412	V2V L 3/8-8	3/8	8	9	71.3	34.8	46	18.7	9.1	22	13.8	26	M15x1	18.7	24	17	17	5.5
9066412	V3V L 3/8-8																	

V2V/V3V L THREAD-PIPE PADLOCKED



Code	Ref.	F	ϕ	P	A	A1	B	C	D	E	E1	G	H	I	l1	Ch	Ch1	Nmax
------	------	---	--------	---	---	----	---	---	---	---	----	---	---	---	----	----	-----	------

9065508	V2V L 1/8-6 KEY	1/8	6	6	57.3	27.8	41	14.7	6.4	14	11.4	21	M15x1	14.6	20	17	12	5.5
9066508	V3V L 1/8-6 KEY																	
6065509	V2V L 1/4-6 KEY	1/4	6	8	60.3	28.8	41	14.7	6.4	18	11.4	21	M15x1	14.6	20	17	14	5.5
9066509	V3V L 1/4-6 KEY																	
9065510	V2V L 1/8-8 KEY	1/8	8	6	65.3	31.8	46	18.7	9.1	15	13.8	26	M15x1	18.7	24	17	14	5.5
9066510	V3V L 1/8-8 KEY																	
9065511	V2V L 1/4-8 KEY	1/4	8	8	69.7	34.2	46	18.7	9.1	18	13.8	26	M15x1	18.7	24	17	14	5.5
9066511	V3V L 1/4-8 KEY																	
9065512	V2V L 3/8-8 KEY	3/8	8	9	71.3	34.8	46	18.7	9.1	22	13.8	26	M15x1	18.7	24	17	17	5.5
9066512	V3V L 3/8-8 KEY																	

NOTES