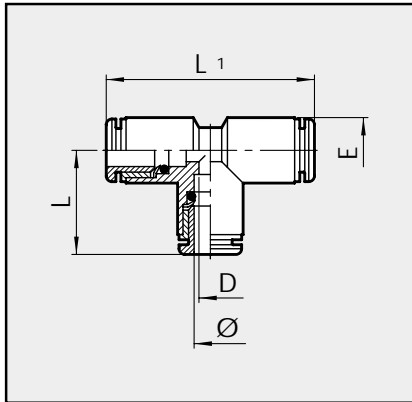


TEE, INTERMEDIATE (R5)



Code	Ref.	Ø	L	L1	D	E
------	------	---	---	----	---	---

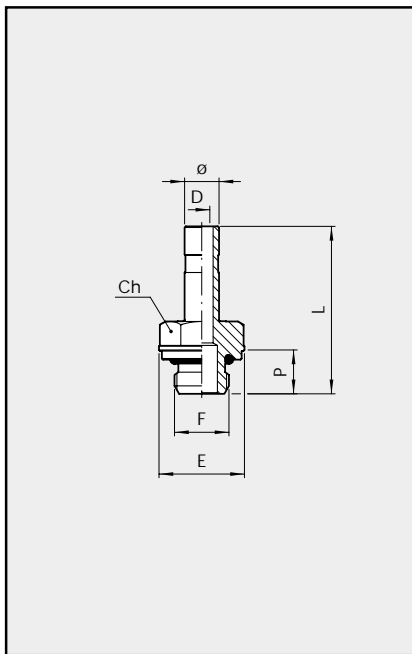
MINIATURE SERIES FOX

2005A02	R5	3	10.4	20.8	2	6.3
2005A01	R5	3.17	10.4	20.8	2	6.36
2L05001	RL5	4	16	32	2.5	9.5
2L05003	RL5	6	18.3	36.6	4.5	11.5
2L05004	RL5	8	20.7	41.4	6.5	13.5
2L05005	RL5	10	23	46	8	15.5

SERIES R

2005001	R5	4	18.2	36.4	3	11.5
2005002	R5	5	19.2	38.4	3	13.5
2005003	R5	6	19.7	39.4	4.5	13.5
2005004	R5	8	23.2	46.4	6	15.5
2005005	R5	10	27.5	55	8	18.0
2005006	R5	12	32.5	65	10	22.0
2005007	R5	14	33.5	67	12	25.0

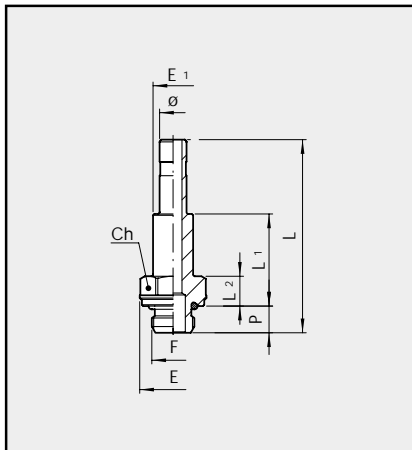
THREADED ADAPTER (R6)



Code	Ref.	Ø	F	Ch	P	L	D	E
------	------	---	---	----	---	---	---	---

2006A02	R6	3	M5	5	3.5	17.1	2.0	5.8
2006A01	R6	3.17	M5	5	3.5	17.1	2.0	5.8
2006001	R6	4	M5	8	4.0	25.2	2.5	9.0
2006020	R6	4	M7	8	5.0	26.5	2.5	9.8
2006002	R6	4	1/8	13	6.0	28.9	2.5	15.0
2006003	R6	4	1/4	14	8.0	32.4	2.2	18.0
2006004	R6	5	M5	8	4.0	25.2	2.7	9.0
2006005	R6	5	1/8	13	6.0	28.9	3.0	15.0
2006006	R6	5	1/4	14	8.0	32.4	3.0	18.0
2006000	R6	6	M5	9	4.0	25.7	2.7	10.0
2006021	R6	6	M7	8	5.0	27	4	9.8
2006007	R6	6	1/8	13	6.0	29.4	4.0	15.0
2006008	R6	6	1/4	14	8.0	32.9	4.0	18.0
2006009	R6	8	1/8	13	6.0	30.6	5.5	15.0
2006010	R6	8	1/4	14	8.0	34.0	6.0	18.0
2006011	R6	8	3/8	17	9.0	35.4	6.0	22.0
2006012	R6	10	1/4	14	8.0	35.6	7.8	18.0
2006013	R6	10	3/8	17	9.0	37.1	8.0	22.0
2006019	R6	12	1/4	14	8	38.0	7.8	18.0
2006014	R6	12	3/8	17	9.0	39.5	10.0	22.0
2006015	R6	12	1/2	22	11.0	41.5	10.0	26.0
2006016	R6	14	3/8	17	9.0	44.9	10.0	22.0
2006017	R6	14	1/2	22	11.0	46.9	12.0	26.0
2006101	R6	6	M12X1.5	13	8	33.0	4.0	17.0
2006102	R6	8	M12X1.5	13	8	33.7	6.0	17.0

EXTENDED THREADED ADAPTER (R18)



Code	Ref.	Ø	F	Ch	P	L	L1	L2	E	E1
------	------	---	---	----	---	---	----	----	---	----

2018002	R18	4	1/8	13	6	40.4	18.2	6.7	15	7
2018007	R18	6	1/8	13	6	43.4	20.7	6.7	15	9
2018008	R18	6	1/4	14	8	46.9	22.2	8.2	18	9
2018009	R18	8	1/8	13	6	46.5	22.7	6.7	15	11
2018010	R18	8	1/4	14	8	50.0	24.2	8.2	18	11
2018011	R18	8	3/8	17	9	51.4	24.7	8.7	22	13
2018012	R18	10	1/4	14	8	54.6	27.2	8.2	18	12
2018013	R18	10	3/8	17	9	56.1	27.7	8.7	22	12