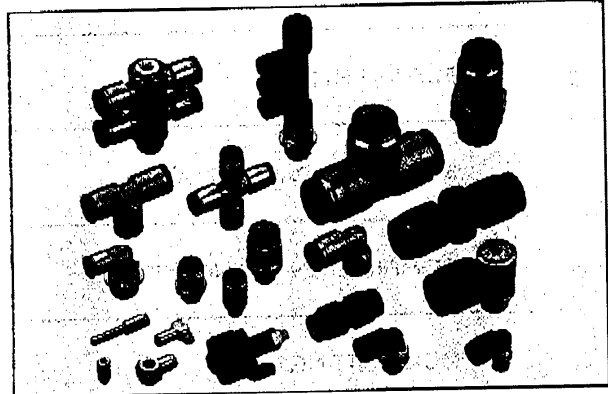


Series R push-in fittings and series Fox miniature fittings by Metal Work are the best elements for connecting pipes and actuators.

Quick and easy to use, the Metal Work push-in fitting can be re-used thousands of times without affecting the pneumatic and mechanical seal in any way. It comes in various configurations and guarantees a virtually unlimited, highly flexible use. The clamping spring with its special shape grips the pipe without scratching or deforming it, which facilitates release.

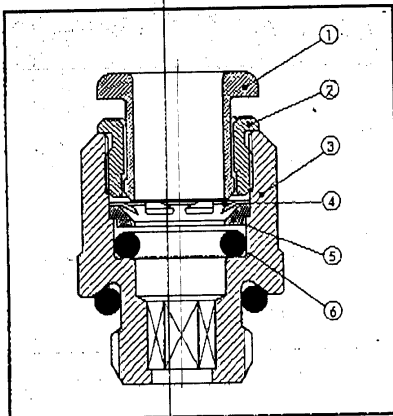
In the RL fittings  $\varnothing 4$  and  $\varnothing 8$ , the release bushing has patented screwdriver slots to facilitate release in applications not accessible to the fingers. Configurations RL21 and RL22 (elbow and tee) have a ring for fixing to the wall asymmetrically in order to contain the head of a screw within the overall dimensions of the fitting.



### TECHNICAL DATA

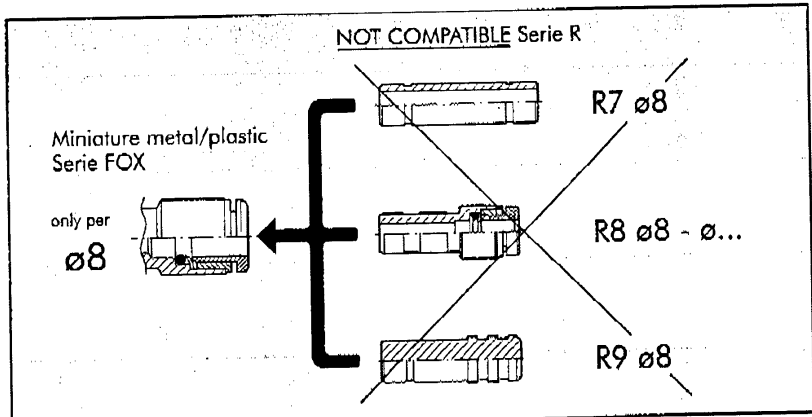
Threaded coupling		M3 - M5 - M7 - 1/8" - 1/4" - 3/8" - 1/2"
Diameter	mm	$\varnothing 3$ - $\varnothing 3,17$ - $\varnothing 4$ - $\varnothing 5$ - $\varnothing 6$ - $\varnothing 8$ - $\varnothing 10$ - $\varnothing 12$ - $\varnothing 14$
Temperature range for brass fittings	$^{\circ}\text{C}$	-20 $^{\circ}\text{C}$ +80 $^{\circ}\text{C}$
	$^{\circ}\text{F}$	-4 $^{\circ}\text{F}$ +162 $^{\circ}\text{F}$
Temperature range for technopolymer fittings	$^{\circ}\text{C}$	-20 $^{\circ}\text{C}$ +60 $^{\circ}\text{C}$
	$^{\circ}\text{F}$	-4 $^{\circ}\text{F}$ +132 $^{\circ}\text{F}$
Pressure range for brass fittings		-0,99 bar ... 16 bar / -0,099 MPa ... 1,6 MPa
Pressure range for technopolymer fittings		-0,99 bar ... 12 bar / -0,099 MPa ... 1,2 MPa
Recommended pipe		RilsanPA 11 - Nylon 6 - Polyamide 12 - Polypropylene
Fluid		Vacuum - Compressed air

### COMPONENTS



- ① Ring or release bushing: technopolymer
- ② Locking bushing: brass or technopolymer
- ③ Body: brass or technopolymer
- ④ Clamping spring: stainless steel (for pipes  $\varnothing 3$  and  $\varnothing 3,17$  and R31 and R32: brass gripper)
- ⑤ Spring supporting ring: technopolymer
- ⑥ Seal: NBR

### FOR $\varnothing 8$ PUSH-IN FITTINGS ONLY

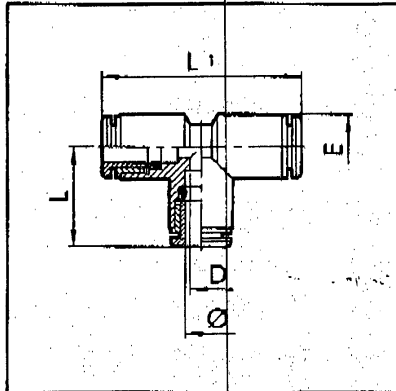


The new series of  $\varnothing 8$  miniature push-in fittings, identified in the code by a letter L and visually by the screwdriver slot on the release ring, are not compatible with fittings R7, R8 and R9  $\varnothing 8$  in the old series.

### O-ring BELOW R FITTINGS

Thread	Initials	Dimensions of O-ring	Thread	Initials	Dimensions of O-ring
M3	.....	2.6x1	1/8	2031	7.66x1.78
M5	.....	3x1.2	1/4	2043	10.82x1.78
M7	.....	5x1.5	3/8	2056	14x1.78

### TEE INTERMEDIATE (R5)



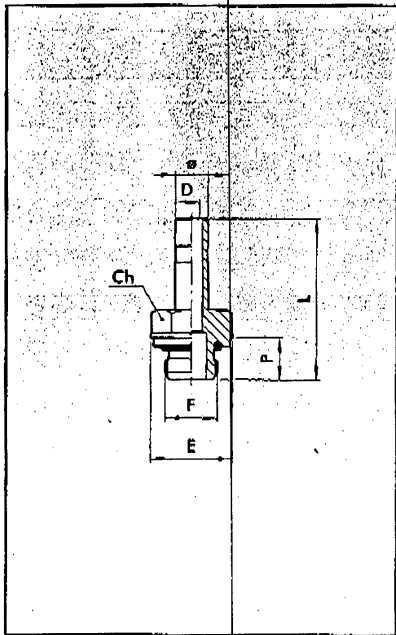
#### MINIATURE SERIES FOX

Code	Ref.	Ø	F	Ch	P	L	L1	E	E1
2005A02	R5	3	10.4	20.8	2	6.3			
2005A01	R5	3.17	10.4	20.8	2	6.36			
2L05001	RL5	4	16	32	2.5	9.5			
2L05003	RL5	6	18.3	36.6	4.5	11.5			
2L05004	RL5	8	20.7	41.4	6.5	13.5			
2L05005	RL5	10	23	46	8	15.5			

#### SERIES R

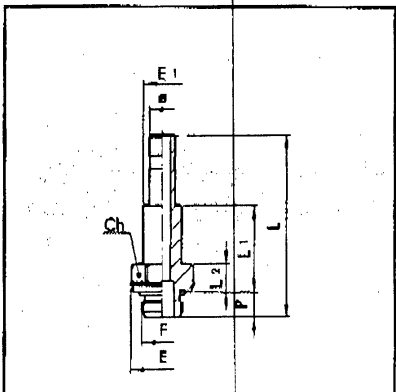
2005001	R5	4	18.2	36.4	3	11.5			
2005002	R5	5	19.2	38.4	3	13.5			
2005003	R5	6	19.7	39.4	4.5	13.5			
2005004	R5	8	23.2	46.4	6	15.5			
2005005	R5	10	27.5	55	8	18.0			
2005006	R5	12	32.5	65	10	22.0			
2005007	R5	14	33.5	67	12	25.0			

### THREADED ADAPTER (R6)



Code	Ref.	Ø	F	Ch	P	L	L1	E	E1
2006A02	R6	3	M5	5	3.5	17.1	2.0	5.8	
2006A01	R6	3.17	M5	5	3.5	17.1	2.0	5.8	
2006001	R6	4	M5	8	4.0	25.2	2.5	9.0	
2006020	R6	4	M7	8	5.0	26.5	2.5	9.8	
2006002	R6	4	1/8	13	6.0	28.9	2.5	15.0	
2006003	R6	4	1/4	14	8.0	32.4	2.2	18.0	
2006004	R6	5	M5	8	4.0	25.2	2.7	9.0	
2006005	R6	5	1/8	13	6.0	28.9	3.0	15.0	
2006006	R6	5	1/4	14	8.0	32.4	3.0	18.0	
2006000	R6	6	M5	9	4.0	25.7	2.7	10.0	
2006021	R6	6	M7	8	5.0	27	4	9.8	
2006007	R6	6	1/8	13	6.0	29.4	4.0	15.0	
2006008	R6	6	1/4	14	8.0	32.9	4.0	18.0	
2006009	R6	8	1/8	13	6.0	30.6	5.5	15.0	
2006010	R6	8	1/4	14	8.0	34.0	6.0	18.0	
2006011	R6	8	3/8	17	9.0	35.4	6.0	22.0	
2006012	R6	10	1/4	14	8.0	35.6	7.8	18.0	
2006013	R6	10	3/8	17	9.0	37.1	8.0	22.0	
2006019	R6	12	1/4	14	8	38.0	7.8	18.0	
2006014	R6	12	3/8	17	9.0	39.5	10.0	22.0	
2006015	R6	12	1/2	22	11.0	41.5	10.0	26.0	
2006016	R6	14	3/8	17	9.0	44.9	10.0	22.0	
2006017	R6	14	1/2	22	11.0	46.9	12.0	26.0	
2006101	R6	6	M12X1.5	13	8	33.0	4.0	17.0	
2006102	R6	8	M12X1.5	13	8	33.7	6.0	17.0	

### EXTENDED THREADED ADAPTER (R18)

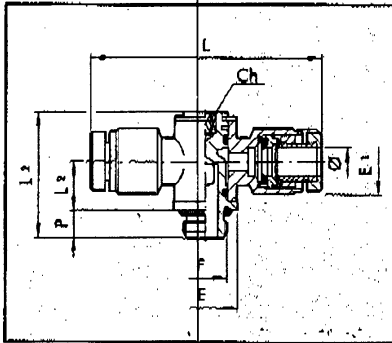


Code	Ref.	Ø	F	Ch	P	L	L1	L2	E	E1
2018002	R18	4	1/8	13	6	40.4	18.2	6.7	15	7
2018007	R18	6	1/8	13	6	43.4	20.7	6.7	15	9
2018008	R18	6	1/4	14	8	46.9	22.2	8.2	18	9
2018009	R18	8	1/8	13	6	46.5	22.7	6.7	15	11
2018010	R18	8	1/4	14	8	50.0	24.2	8.2	18	11
2018011	R18	8	3/8	17	9	51.4	24.7	8.7	22	13
2018012	R18	10	1/4	14	8	54.6	27.2	8.2	18	12
2018013	R18	10	3/8	17	9	56.1	27.7	8.7	22	12



**MALE ROD DUAL ROTARY RING  
TECHNOPOLYMER (R20/A)**

Code Ref.  $\varnothing$  L Ch

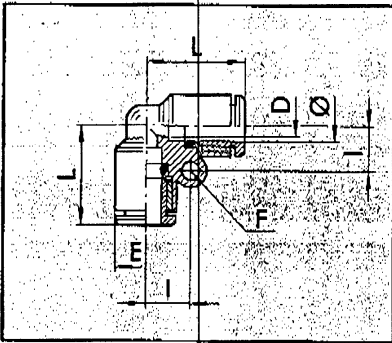


**SERIES R**

2020A01	R20/A	4	M5	2	4	40	16.8	6.5	9.9	10.9
2020A02	R20/A	4	1/8	3	6	45	27	10.5	14	12.5
2020A03	R20/A	5	M5	2	4	43	18.8	8.5	9.9	13.5
2020A04	R20/A	5	1/8	3	6	46	27	10.5	14	13.5
2020A05	R20/A	6	1/8	3	6	45	27	10.5	14	15
2020A07	R20/A	6	1/4	4	8	48	31.5	11.5	18	15
2020A06	R20/A	8	1/8	3	6	51	27	10.5	14	16.3
2020A08	R20/A	8	1/4	4	8	54	31.5	11.5	18	16.3
2020A09	R20/A	10	1/4	4	8	64	31.5	11.5	18	18.5
2020A10	R20/A	12	1/4	4	9	64	31.5	11.5	18	21
2020A11	R20/A	12	3/8	5	11	68	36	13.5	22	21
2020A12	R20/A	12	1/2	8		72	42	16.2	26	21

**ELBOW INTERMEDIATE  
TECHNOPOLYMER (R21)**

Code Ref.  $\varnothing$  L D E I F



**MINIATURE SERIES FOX**

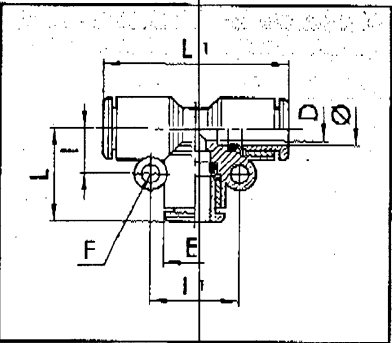
2L21001	RL21	4	15.8	2.5	9.2	7.2	3.3
2L21003	RL21	6	18.1	4.2	11.3	8.2	3.3
2L21004	RL21	8	20.5	6.2	13.8	9.6	3.3

**SERIES R**

2021001	R21	4	19	3	12.5	-	-
2021002	R21	5	20	3.5	13.5	-	-
2021003	R21	6	20	4	15	-	-
2021004	R21	8	23.5	6	16.5	-	-
2021005	R21	10	27.5	8	18.5	-	-
2021006	R21	12	32.5	10	21	-	-

**INTERMEDIATE TEE  
TECHNOPOLYMER (R22)**

Code Ref.  $\varnothing$  L L1 D E I F



**MINIATURE SERIES FOX**

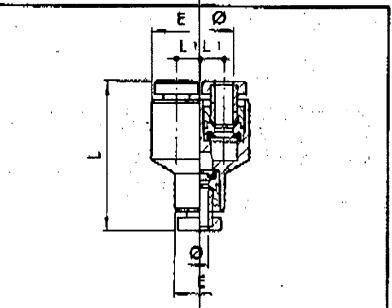
2L22001	RL22	4	15.8	31.6	2.5	9.2	7.2	14.4	3.3
2L22003	RL22	6	18.1	36.2	4.2	11.3	8.2	16.4	3.3
2L22004	RL22	8	20.5	41	6.2	13.8	9.6	19.2	3.3

**SERIES R**

2022001	R22	4	19	38	3	12.5	-	-	-
2022002	R22	5	20	40	3.5	13.5	-	-	-
2022003	R22	6	20	40	4	15	-	-	-
2022004	R22	8	23.5	47	6	16.5	-	-	-
2022005	R22	10	27.5	55	8	18.5	-	-	-
2022006	R22	12	32.5	65	10	21	-	-	-

**WYE (R23)**

Code Ref.  $\varnothing$  L L1 F



**SERIES R**

2023001	R23	4	34	5.5	11
2023002	R23	5	35.5	6.5	13.5
2023003	R23	6	35.5	7	14
2023004	R23	8	44	8	16