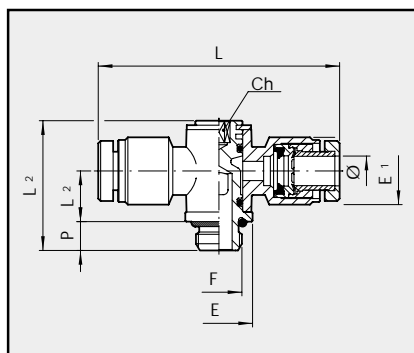


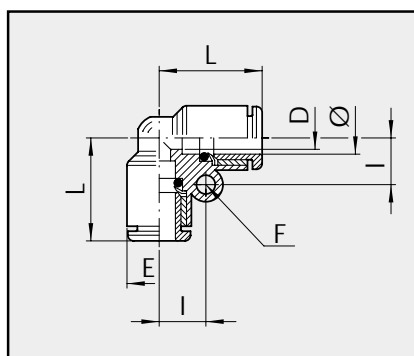


MALE ROD, DUAL ROTARY RING, TECHNOPYLIMER (R20/A)



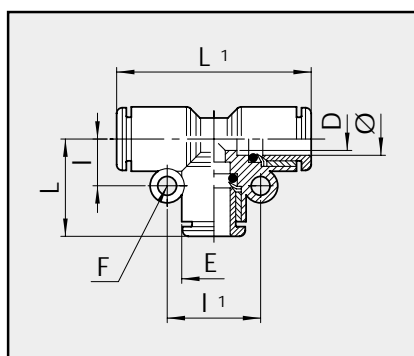
Code	Ref.	Ø	F	Ch	P	L	L1	L2	E	E1
SERIES R										
2020A01	R20/A	4	M5	2	4	40	16.8	6.5	9.9	10.9
2020A02	R20/A	4	1/8	3	6	45	27	10.5	14	12.5
2020A03	R20/A	5	M5	2	4	43	18.8	8.5	9.9	13.5
2020A04	R20/A	5	1/8	3	6	46	27	10.5	14	13.5
2020A05	R20/A	6	1/8	3	6	45	27	10.5	14	15
2020A07	R20/A	6	1/4	4	8	48	31.5	11.5	18	15
2020A06	R20/A	8	1/8	3	6	51	27	10.5	14	16.3
2020A08	R20/A	8	1/4	4	8	54	31.5	11.5	18	16.3
2020A09	R20/A	10	1/4	4	8	64	31.5	11.5	18	18.5
2020A10	R20/A	12	1/4	4	9	64	31.5	11.5	18	21
2020A11	R20/A	12	3/8	5	11	68	36	13.5	22	21
2020A12	R20/A	12	1/2	8		72	42	16.2	26	21

ELBOW, INTERMEDIATE, TECHNOPYLIMER (R21)



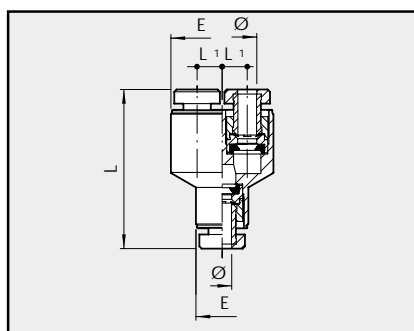
Code	Ref.	Ø	L	D	E	I	F
MINIATURE SERIES FOX							
2L21001	RL21	4	15.8	2.5	9.2	7.2	3.3
2L21003	RL21	6	18.1	4.2	11.3	8.2	3.3
2L21004	RL21	8	20.5	6.2	13.8	9.6	3.3
SERIES R							
2021001	R21	4	19	3	12.5	-	-
2021002	R21	5	20	3.5	13.5	-	-
2021003	R21	6	20	4	15	-	-
2021004	R21	8	23.5	6	16.5	-	-
2021005	R21	10	27.5	8	18.5	-	-
2021006	R21	12	32.5	10	21	-	-

INTERMEDIATE TEE, TECHNOPYLIMER (R22)



Code	Ref.	Ø	L	L1	D	E	I	I1	F
MINIATURE SERIES FOX									
2L22001	RL22	4	15.8	31.6	2.5	9.2	7.2	14.4	3.3
2L22003	RL22	6	18.1	36.2	4.2	11.3	8.2	16.4	3.3
2L22004	RL22	8	20.5	41	6.2	13.8	9.6	19.2	3.3
SERIES R									
2022001	R22	4	19	38	3	12.5	-	-	-
2022002	R22	5	20	40	3.5	13.5	-	-	-
2022003	R22	6	20	40	4	15	-	-	-
2022004	R22	8	23.5	47	6	16.5	-	-	-
2022005	R22	10	27.5	55	8	18.5	-	-	-
2022006	R22	12	32.5	65	10	21	-	-	-

WYE (R23)



Code	Ref.	Ø	L	L1	E
SERIES R					
2023001	R23	4	34	5.5	11
2023002	R23	5	35.5	6.5	13.5
2023003	R23	6	35.5	7	14
2023004	R23	8	44	8	16