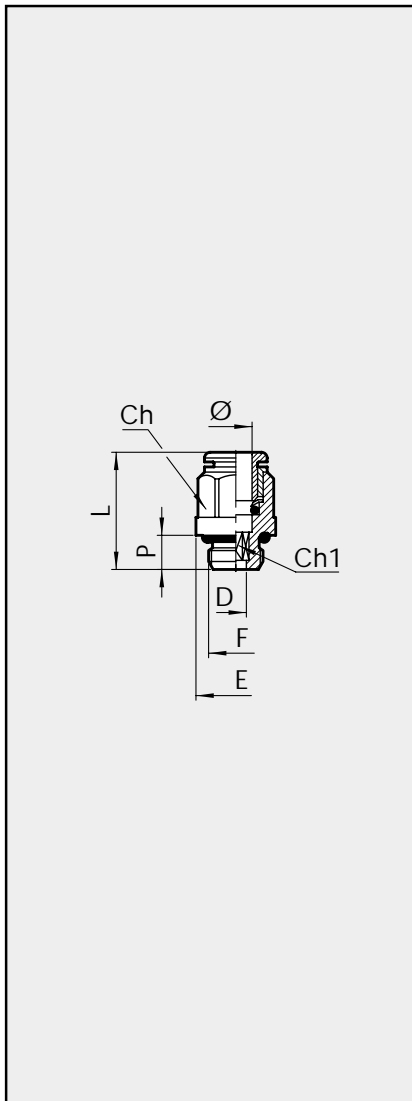


# BRASS FITTINGS

## STRAIGHT, CYLINDRICAL, MALE (R1)



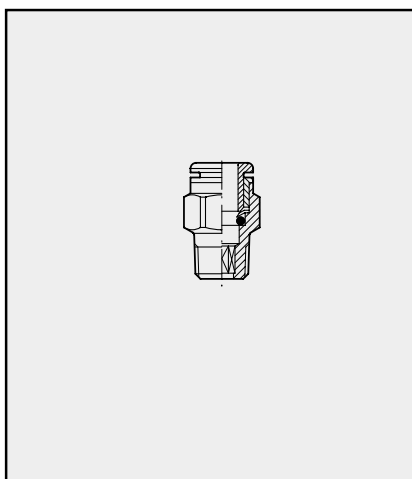
### MINIATURE SERIES FOX

Code	Ref.	Ø	F	Ch	Ch1	P	L	D	E
2001B01	R1	3	M3	Ø 5.8	1.5	3	12.6	1.5	5.8
2001B02	R1	3	M5	Ø 5.8	2	3.5	13.0	2	5.8
2001A01	R1	3.17	M3	Ø 5.8	1.5	3	12.6	1.5	5.8
2001A02	R1	3.17	M5	Ø 5.8	2	3.5	13.0	2	5.8
2L01001	RL1	4	M5	Ø 9	2.5	4	19.3	2.6	9
2L01020	RL1	4	M7	Ø 9	3	5	17.9	3.1	9.8
2L01002	RL1	4	1/8	10	3	6	17	3.1	14
2L01003	RL1	4	1/4	10	3	8	19	3.1	18
2L01000	RL1	6	M5	Ø 11	2.5	4	20.9	2.6	11
2L01021	RL1	6	M7	Ø 11	4	5	22	4.1	11
2L01101	RL1	6	M12x1,5	12	4	8	22.2	4.1	17
2L01007	RL1	6	1/8	12	4	6	20.6	4.1	14
2L01008	RL1	6	1/4	12	4	8	19.3	4.1	18
2L01102	RL1	8	M12x1,5	14	6	8	24.1	6.2	17
2L01009	RL1	8	1/8	13	5	6	24.5	5.2	14
2L01010	RL1	8	1/4	14	6	8	24.4	6.2	18
2L01011	RL1	8	3/8	14	6	9	21.9	6.2	22
2L01012	RL1	10	1/4	16	7	8	28.5	7.2	18
2L01013	RL1	10	3/8	16	8	9	25.8	8.2	22

### SERIES R

Code	Ref.	Ø	F	Ch	Ch1	D	F	L	P
2001001	R1	4	M5	Ø 10.9	2.5	4.0	21.5	2.6	10.9
2001002	R1	4	1/8	12	3	6.0	21.5	3.1	14.0
2001003	R1	4	1/4	12	3	8.0	22.0	3.1	18.0
2001004	R1	5	M5	Ø 12	2.5	4.0	22.5	2.6	12.0
2001005	R1	5	1/8	13	3	6.0	22.0	3.1	15.0
2001006	R1	5	1/4	12	3	8.0	24.0	3.1	18.0
2001000	R1	6	M5	Ø 13	2.5	4.0	22.0	2.6	13.0
2001007	R1	6	1/8	13	4	6.0	24.0	4.2	15.0
2001008	R1	6	1/4	13	4	8.0	24.0	4.2	18.0
2001009	R1	8	1/8	15	5	6.0	27.5	5.2	16.5
2001010	R1	8	1/4	15	6	8.0	25.5	6.2	18.0
2001011	R1	8	3/8	15	6	9.0	25.0	6.2	22.0
2001012	R1	10	1/4	18	7	8.0	32.0	7.2	20.0
2001013	R1	10	3/8	18	8	9.0	31.5	8.2	22.0
2001019	R1	12	1/4	21	10	9.0	35.0	10.2	24.0
2001014	R1	12	3/8	22	10	11.0	34.0	10.2	26.0
2001015	R1	12	1/2	24	10	9.0	38.0	10.2	28.0
2001016	R1	14	3/8	24	12	11.0	39.0	12.2	28.0
2001017	R1	14	1/2	21	7	8.0	34.5	7.2	24.0
2001101	R1	6	M12X1.5	13	4	8.0	24.0	4.2	17.0
2001102	R1	8	M12X1.5	15	6	8.0	26.0	6.2	17.0

## STRAIGHT, CONICAL, MALE (R1C)



### MINIATURE SERIES FOX

Code	Ref.	Ø	F	Ch	Ch1	D	F	L	P
2L01C02	RL1C	4	1/8	10	3	3.1	11.1	17.5	6.2
2L01C07	RL1C	6	1/8	12	4	4.1	13.3	21.5	6.2
2L01C08	RL1C	6	1/4	12	4	4.1	13.4	21.3	8.5
2L01C09	RL1C	8	1/8	13	5	5.2	14.3	25.1	6.2
2L01C10	RL1C	8	1/4	14	6	6.2	15.4	24.6	8.5
2L01C11	RL1C	8	3/8	14	6	6.2	16.6	24.1	9.0
2L01C13	RL1C	10	1/4	16	7	7.2	17.7	28.2	8.5
2L01C14	RL1C	10	3/8	16	8	7.2	17.7	25.3	9.0

### SERIES R

Code	Ref.	Ø	F	Ch	Ch1	D	F	L	P
2001C15	R1C	12	3/8	19	7	7.2	19	33	11.5
2001C16	R1C	12	1/2	22	10	10.2	19	35.5	13.5
2001Z07	R1Z	6	12x1 con.	13	-	12.5	-	24	9.0
2001Z08	R1Z	6	12x1.25 con.	13	-	12.5	-	24	9.0