



Repeat cycle timer with digital setpoints and 4 time ranges... compact 1/8 DIN case

5

ELECTRONICS

The DA200 series timer is a microprocessor based repeat cycle timer housed in a 1/8 DIN style enclosure. Two 4 digit push-button switches on the front of the unit provide exact setting of the ON and OFF time setpoints. Four time ranges from 99.99 seconds to 99 hours and 99 minutes can be independently programmed for the ON and OFF times. Repeat or Single Cycle operation and ON or OFF time first operation can also be programmed. All programming is done using rocker switches located on the side of the unit.

The DA200 timer can be mounted in three ways for use in most any application. The terminal connections for the unit are 3/16 inch terminals for use with a square base relay socket. This provides a means of mounting the unit within a panel. The DA200 timer can also be mounted through the front of the panel using either an economical fixed bezel kit or a unique plug-in housing which allows easy removal for programming changes and replacement.

DA200 timer features include:

- DPDT 5 amp relay output
- Two LED indicators to show ON and OFF time operation
- Recessed programming rocker switches with a protective cover to help prevent accidental switch changes
- 0.01 second setting resolution for fast time cycles and easy to use minute: second and hour: minute time ranges

SPECIFICATIONS

Time Ranges:

Sym.	Maximum Range	Minimum Setting
1	99.99 Sec.	.01 Sec.
2	999.9 Sec.	.1 Sec.
3	99 Min.: 99 Sec.	1 Sec.
4	99 Hr.: 99 Min.	1 Min.

Operating Voltage/Frequency: A6 - 120 VAC, 50/60 Hz

Setting Accuracy: 0.01% of setting or 35 ms, whichever is larger

Repeat Accuracy: 0.01% of setting or 35 ms, whichever is larger

Reset Time: 15 ms

Power on Response: 35 ms

Operating Temperature: +32° to +122°F (0° to +50°C)

Output Rating: 5 amp, 10 to 240 VAC resistive

Vibration: Unit function is unaffected by 2.5G sinusoidal vibration magnitude in both directions of the perpendicular mounting axes imposed from 20 to 100 Hz

Static Discharge: Unit function is unaffected by a constant 3600 volt peak, 60 Hz discharge applied to the front plate at a relative humidity of less than 25%

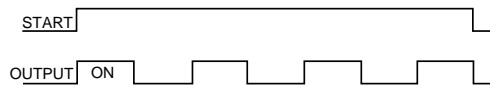
Transient Protection: Immune to 2500 volts peak transients up to 50 microseconds in duration

OUTPUT OPERATING MODES

Repeat Cycle Operation - OFF Time First

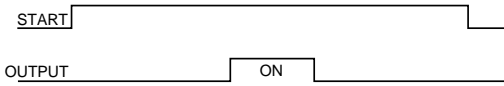


Repeat Cycle Operation - ON Time First



OUTPUT OPERATING MODES CONT.

Single-Cycle Operation - OFF Time First

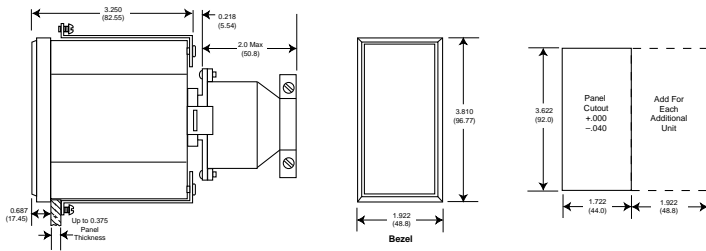


Single-Cycle Operation - ON Time First

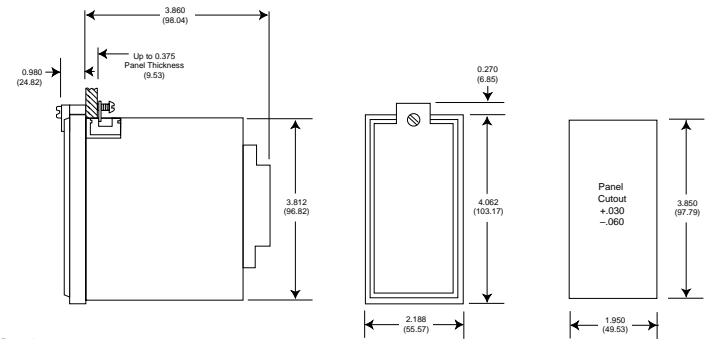


MOUNTING

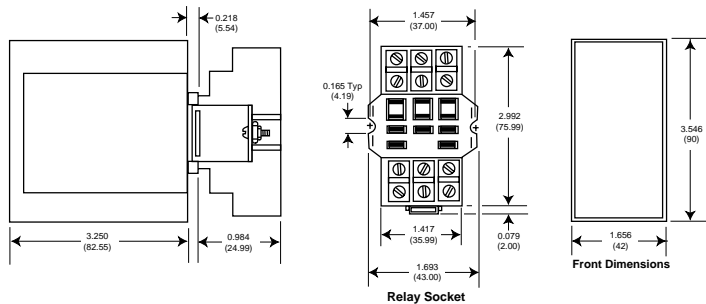
Panel Mount:



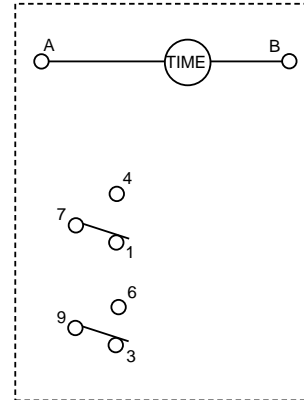
Plug-In Mount:



Surface Mount:



DA200 TERMINAL ASSIGNMENTS



ACCESSORIES

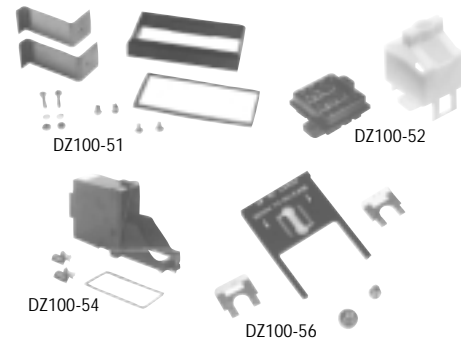
DZ100-51 Bezel Kit for panel mounting. Kit includes bezel, bezel gasket, brackets and mounting hardware.

DZ100-52 Strain Relief Kit provides cable connection to panel mounted unit. Includes H11496 strain relief and 4270-0621 socket and hardware.

DZ100-54 Plug-in Housing for panel mounting units with plug-in convenience. Kit includes housing and mounting brackets.

DZ100-56 Latch and Latch Release Kit for surface mounting. Kit includes latch, spacer, latch release and mounting hardware (use with 60SR3BO5 Relay Socket).

60SR3BO5 Square Base Relay Socket



ORDERING INFORMATION

BASIC UNIT		DA2	11	A6	VOLTAGE & FREQUENCY	
Sym.	Description				Sym.	Description
11	5 amp DPDT Relay Output				A6	120 VAC, 50/60 Hz