



**Description**

The Redington Model 711/731 provides a family of compact 7 figure, AC or DC Hour Meters. Models are available in the standard industry housings, 2-Hole rectangular, flush-round and flush-rectangular. DC Models are quartz controlled for high reliability and accuracy. A choice of two rectangular panel cutouts are offered 1.45" X 0.95" [36.8mm X 24.1mm] or 1.45" X 0.87" [36.8mm X 2.1mm]. The Round meter has a panel cutout of 1.99" [50.5mm].

**Features**

- 7 figure, 99999.99
- Various voltage inputs
- Quartz accuracy (DC)
- Large figures, 0.14" [3.6mm]
- CE Compliant
- UL Recognized/CSA Certified for AC
- UL/cUL Recognized for DC

**Options**

- Special voltages
- Terminations
- Panel cutout

**Specifications**

**Figures:** 7 figures, 0.14" [3.6mm] 99999.99  
**Reset:** Non-reset  
**Voltages:** 24, 115 or 230VAC (± 10%), 50 or 60 Hz 10-28VDC  
**Power:** 2 watts AC, 0.4 watts DC  
**Mounting:** Clip or mounting holes  
**Termination:** 1/4" [6.3mm] spade terminals with screws (AC)  
 1/4" [6.3mm] spade terminals (DC)  
**Accuracy:** 0.01% (DC) quartz  
**Case Material:** Black polymer  
**Weight:** 1.2oz. [35g]

**Environmental:**  
**Front Panel:** IP65  
**Operating Temperature:** -22°F to +180°F [-30°C to +82°C]  
**Storage Temperature:** -40°F to +185°F [-40°C to +85°C]  
**Vibration:** 1g [10/500Hz] IEC 68-T2-34  
**Shock:** 30g [18ms] IEC 68-T2-27  
 25g [16ms] IEC 68-T2-19  
**Agency Approvals:** CE Compliant  
 UL Recognized/CSA Certified for AC  
 UL/cUL Recognized for DC

**Models**

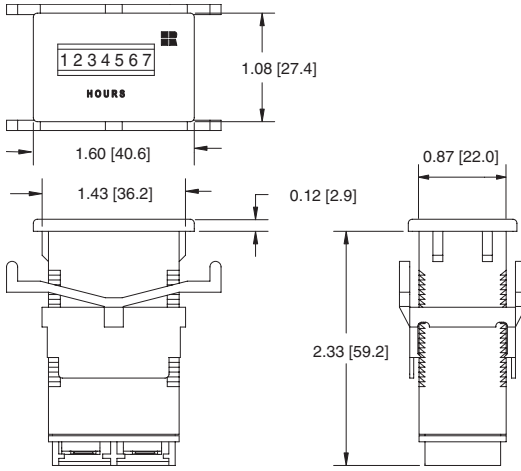
Models	Voltage AC	Mount	Panel Cut-out		
			1.45 X .87	1.45 X .95	1.99
711-0013	115VAC/60Hz	Round			X
711-0014	230VAC/60Hz	Round			X
<b>711-0113</b>	115VAC/60Hz	Flush Rect	X		
<b>711-0114</b>	24VAC/60Hz	Flush Rect.	X		
711-0120	115VAC/60Hz	Flush Rect		X	
711-0123	230VAC/60Hz	Flush Rect.		X	
<b>711-0130</b>	115VAC/60Hz	2-Hole	X		
711-0131	230VAC/60Hz	2-Hole	X		
711-0132	24VAC/60Hz	2-Hole	X		
711-0133	115VAC/50Hz	2-Hole	X		
711-0138	230VAC/60Hz	Flush Rect.	X		

Models	Voltage DC	Mount	Panel Cut-out		
			1.45 X .87	1.45 X .95	1.99
731-0006	10-28VDC	Round			X
<b>731-0040</b>	10-28VDC	2-Hole	X		
731-0041	10-28VDC	Flush Rect	X		
731-0042	10-28VDC	Flush Rect		X	
731-0051	10-28VDC	2-Hole		X	

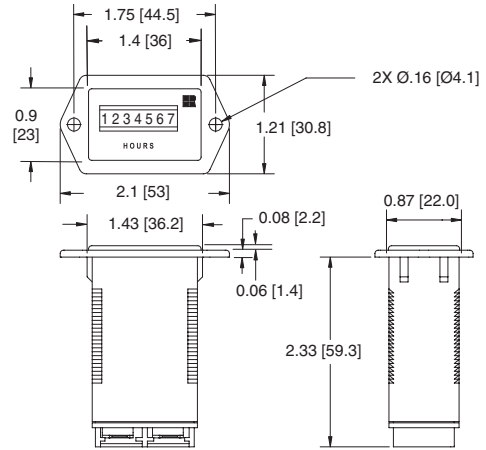
\* Items in bold are normally in factory stock.



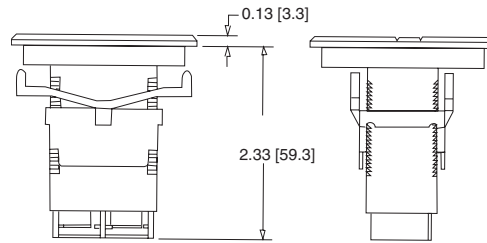
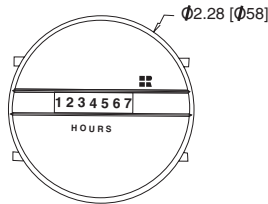
Dimensions



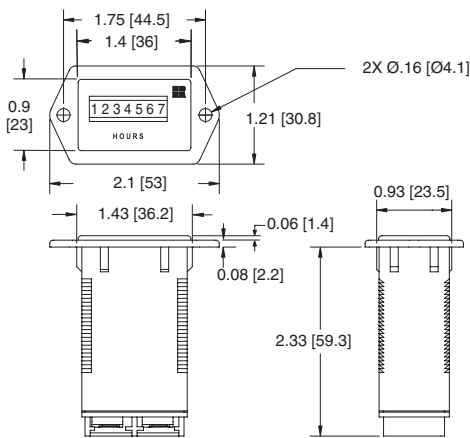
PANEL OPENING 1.45 [36.8] X 0.87 [22.1]  
PANELTHICKNESS 0.50" [12.7]



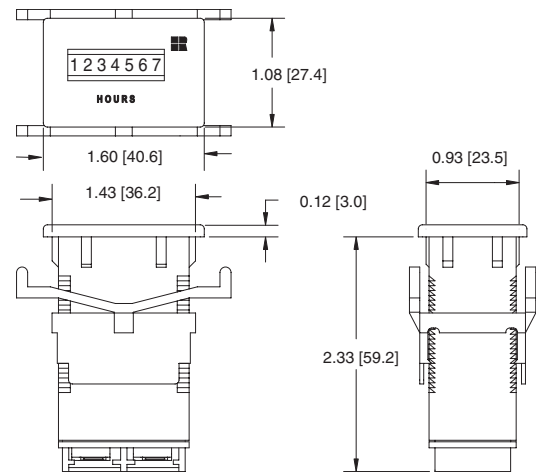
PANEL OPENING 1.45 [36.8] X 0.87 [22.1]



PANEL OPENING 1.99 [50.5] DIA



PANEL OPENING 1.45 [36.8] X 0.95 [24.1]



PANEL OPENING 1.45 [36.8] X 0.95 [24.1]  
PANELTHICKNESS 0.50" [12.7]

Applications

Medical equipment



Test equipment



Office equipment





Description

These 7 figure, AC or DC hour meters with running indicators, offer crisp, distinctive styling for many panel applications. Available in square and round bezel, flush mount, or three-hole round panel mount. Each is light-weight, low power, and carry UL, CSA and CE approvals.

Features

- 7 figure, 99999.99
- Various voltage inputs
- Distinctive styling

Options

- Terminations
- Din rail
- Voltages

Specifications

**Figures:** 7 figures, 0.14" high [3.6mm], 99,999.99 hours  
**Reset:** Non-reset  
**Voltages:** 24, 115, or 230VAC (+/-10%), 50 or 60Hz., 10-80 VDC  
**Power:** 3 watts (AC), 1.2 watt maximum (DC)  
**Terminations:** 1/4" [6.3mm] spade terminals, with removable

screws, or 8" [203mm] wire leads  
**Mounting:** Panel (mounting hardware included)  
**Front Panel:** IP65  
**Temp. Range:** -22°F to +158°F [-30°C to +70°C]  
**Approvals:** UL Recognized and CSA Certified (AC only), CE Compliant  
**Weight:** 1.6 oz. [46g]

Models Description

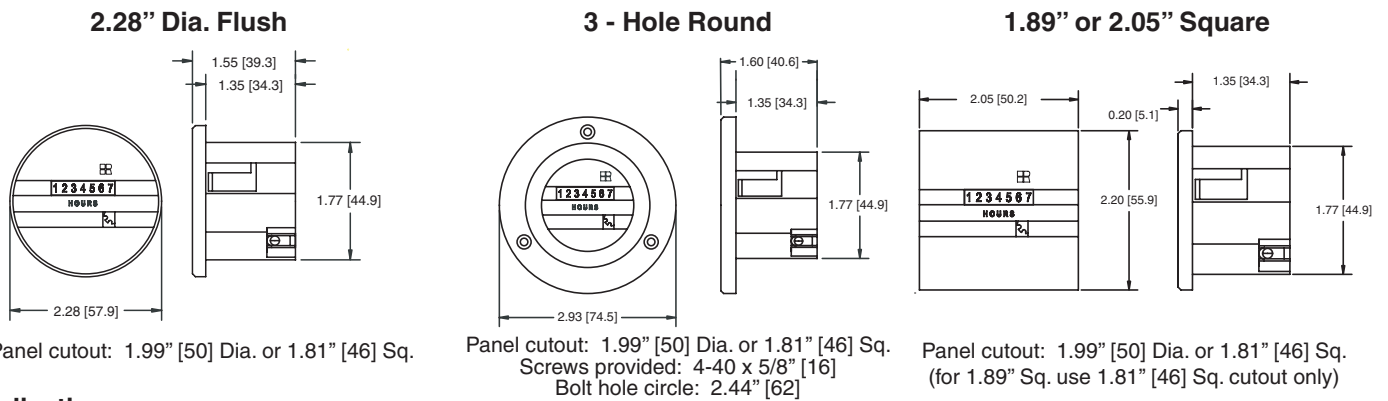
<b>711-0150</b>	115VAC/60Hz, 2.28" Dia., Flush mount, screw termination
<b>711-0152</b>	230VAC/60Hz, 2.28" Dia., Flush mount, screw termination
<b>711-0160</b>	115VAC/60Hz, 2.93" Dia., 3-hole round, screw termination
<b>711-0162</b>	230VAC/60Hz, 2.93" Dia., 3-hole round, screw termination
<b>711-0163</b>	230VAC/50Hz, 2.93" Dia., 3-hole round, screw termination
<b>711-0164</b>	24VAC/60Hz, 2.93" Dia., 3-hole round, screw termination
<b>711-0171</b>	115VAC/60Hz, 2.93" Dia., 3-hole round, 8" wire leads
<b>711-0180</b>	115VAC/60Hz, 1.89" Sq., Flush mount, screw termination

Models Description

<b>711-0182</b>	24VAC/60Hz, 1.89" Sq., Flush mount, screw termination
<b>711-0190</b>	115VAC/60Hz, 2.05" Sq., Flush mount, screw termination
<b>711-0192</b>	24VAC/60Hz, 2.05" Sq., Flush mount, screw termination
<b>711-0193</b>	115VAC/50Hz, 2.05" Sq., Flush mount, screw termination
<b>711-0195</b>	24VAC/50Hz, 2.05" Sq., Flush mount, screw termination
<b>731-0046</b>	10-80VDC, 2.93" Dia., 3-hole round, screw termination

\* Items in bold are normally in factory stock.

Dimensions



Applications

Medical equipment



Test equipment



Office equipment





Description

A rectangular style AC hour meter designed to complement existing meters in control panels. Available in 6 figure reset or 7 figure non-reset. The non-reset model incorporates a retaining clip to lock into panel, while the reset version has a metal bracket and screw.

Features

- Large figures
- 6 or 7 digits
- UL Recognized, CSA Certified, CE Compliant

Options

- Reset or non-reset

Specifications

**Figures:** 6 figure (reset) or 7 figure (non-reset), 0.19" [5mm] high  
 9,999.99 hours. (reset version)  
 99,999.99 hours. (non-reset models)

**Reset:** Push-button, or non-reset

**Voltages:** 115VAC (+/- 10%), 50 or 60 Hz.

**Power:** 2 watts (nominal)

**Mounting:** Panel (mounting hardware included)

**Termination:** 19" [483mm] wire leads

**Temp. Range:** -4°F to +158°F [-20°C to +70°C]

**Approvals:** UL Recognized, CSA Certified, CE Compliant

**Weight:** 2 oz. [57g]

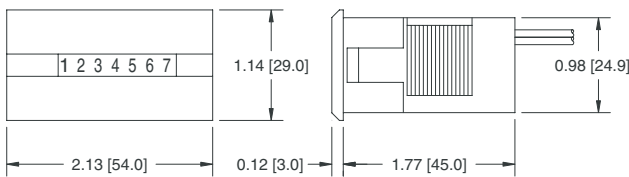
**Options:** Voltages

Models Description

711-0019	115VAC/60Hz, reset, 6 figure, 9,999.99 hrs., 19" [483mm] wire leads
711-0020	115VAC/60Hz, non-reset, 7 figure, 99,999.99 hrs., 19" [483mm] wire leads
711-0041	115VAC/50Hz, non-reset, 7 figure, 99,999.99 hrs., 19" [483mm] wire leads

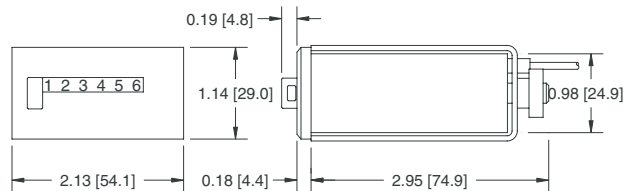
Dimensions

Non-Reset



Panel cutout: 1.98" x 0.99" [50.3 x 25.1]

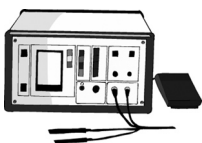
Reset



Panel cutout: 1.98" x 0.99" [50.3 x 25.1]

Applications

Medical equipment



Test equipment



Office equipment

