

DIGITAL TIMERS

CT500 1/16 DIN DIGITAL COUNTER - TIMER



- Dual 4-digit LED display
- 5 programmable timing modes
- 6 Time ranges from 0.01 secs to 9999 hrs
- 5 programmable counter modes
- Counter range from -999 to +9999
- 2 independent relay outputs rated a 5A/230Vac
- 12/24 Vac/dc and 85 to 265 Vac supply
- CE, UL and RoHS compliant

The CT500 is a dual display, multi-range, multi-function 1/16 DIN panel mounted, counter timer. It has 2 independent relay outputs, each with its own set point. Output 2 can also be used as a batch counter output. The timer and the counter both have 5 selectable modes. The timer has ranges from 0.01 seconds to 9999 hours whilst the counter counts from -999 to 9999 with an optional scale factor. The lower display can be programmed to show either the 2nd set point or the batch quantity. The unit can operate as a 6 digit counter using both displays.

SPECIFICATION

Power supply: 24Vac/dc
85 to 270Vac at 50/60Hz

Time ranges: 99.99 / 999.9 / 9999 seconds
99:59 min:sec, 999.9 / 9999 minutes
99:59 hr:min, 999.9 / 9999 hours

Timing modes: Relay 1 : DE, INT, ICY, CY
Relay 2 : as relay 1 + Batch

Start modes: Pulse start, Power up (external link)

Reset modes: Power up, front panel or external reset

Counter resln: 0.001, 0.01, 0.1, 1

Counter modes: Relay 1 : DE, INT, Auto reset, pulse repeat
Relay 2 : as relay 1 + Batch

Scale factor: 0.001 to 9.999x10_n (n=-3, -2, -1, 0, 1, 2)

Counter input: Voltage pulse (3 to 30Vdc) from prox switch, encoder or other solid state device. Potential free contact

Sensor supply: 12Vdc 30mA short circuit protected

Count direction: Timer - Down only
Counter - Up/down selectable

Accuracy: Timer : +/-0.05% setting
Counter : Absolute (+/-0 counts)

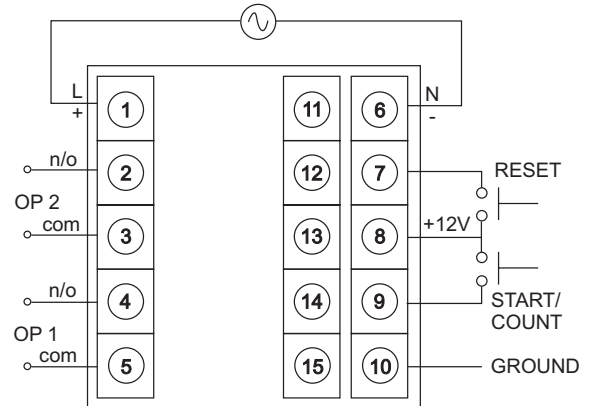
Output rating: 2 x SPST relay rated 5A @ 230Vac

Electrical life: 200,000 operations at rated load.

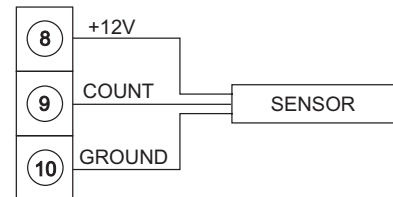
Approvals: Meets the EEC directives for emc
EN50081-1 & EN50082-1 and low voltage
EN61010-1
UL and CSA approved

Operating Temp: 0°C to +50°C

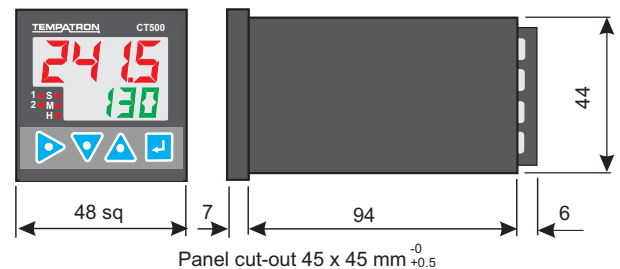
CONNECTION DIAGRAM



Proximity sensor connections



DIMENSIONS



STANDARD ITEMS

Supply Voltage	Part Number
24Vac/dc	CT500-ML-0000
90 to 270Vac 50/60Hz	CT500-MH-0000

For matching temperature controllers, ask our sales office for details of our PID500 range.