

Type series HR 76



- 6-digit hour meter for round panel cut out
- Low cost
- **High shock resistance**
- Low power consumption
- Small dimension
- magnified figures
- waterproof
- Protection IP 65
- Data retention if power is lost
- UL-approval

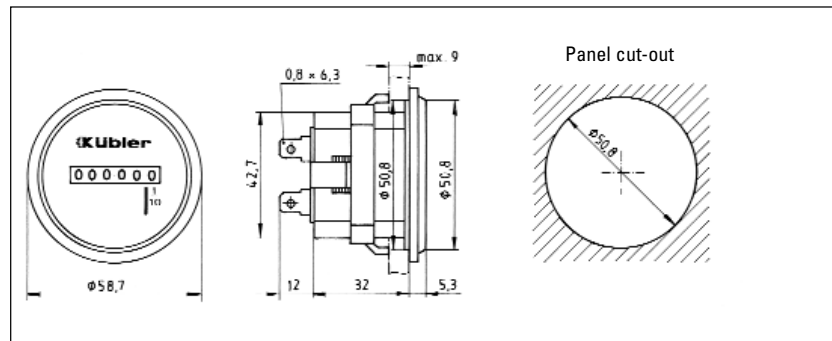
Applications

general counting,
utility vehicles, construction
machines, generators,
fork-lift trucks, car washes ,
outside areas

Technical data:

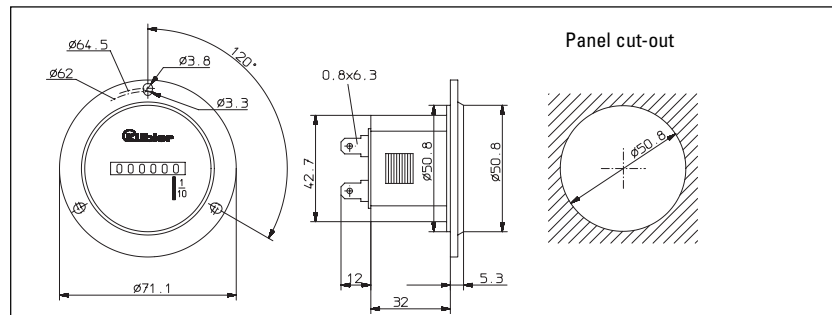
Electrical connection:	Flat pins 0.8 x 6.3	Reset:	no
Power consumption:	AC max. 0.4 VA 12 V DC: max. 0.08 W 48 V DC: max. 0.7 W	Ambient temperature:	-30 ... +65 °C
Rated voltages:	115/230 V AC, ± 10 %, 50/60 Hz, 10 ... 80 V DC	Mounting position:	any
On time:	100 %	Protection:	IP 65
Display:	6 (99999.9 h)	Housing:	Plastic
Count mode:	adding	Weight:	HR 76.1: 56 g HR 76.2: 54 g
Height of figures:	3.5 mm	Options:	Accuracy: < 0.02% over the full range
Colour of figures:	white on black	Approvals:	UL for USA

HR 76.2



V	Art-No. (AC, 50/60 Hz)	Art-No. (DC)
10 ... 80		0.135.200.373
115	0.135.200.301	
230	0.135.200.302	

HR 76.1



V	Art-No. (AC, 50/60 Hz)	Art-No. (DC)
10 ... 80		0.135.100.373
115	0.135.100.301	
230	0.135.100.302	