



Compact LCD timer modules available with or without front panel reset pushbutton



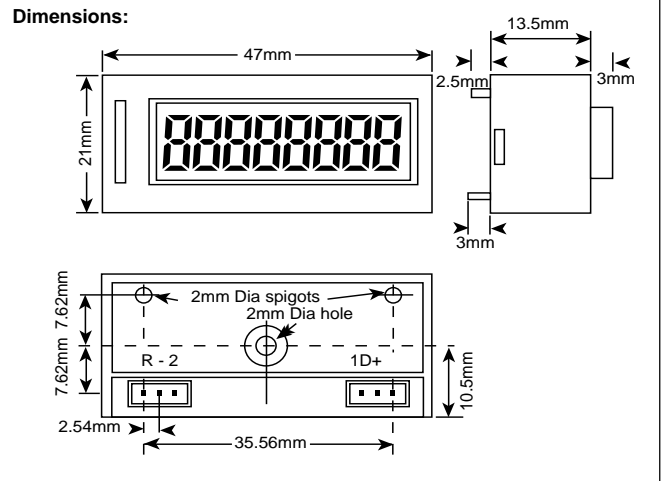
A very compact totalizing counter module for printed circuit board mounting. 8 digit, 8mm high, LCD display. Powered by an external lithium battery (not supplied), memory and operation are maintained for a typical life of 8 to 10 years.

Its bidirectional counting inputs, accepts count pulses on one input while a second input commands the counting direction.

PCB solder-pins are provided for electrical connections and molded posts are provided to align mounting position with holes in the host printed circuit board.

- 8 digit high contrast LCD characters
- Leading zero blanking
- 4 operating modes for Seconds, Minutes/Seconds, Hours/Minutes, and Hours/Hundredths
- Available with or without front panel reset
- Remote reset input
- External battery life of 8 to 10 years when using 1/2 AA, 900mAH, 3 volt lithium cell

Standard models are available with, or without, a front panel reset button. All models feature remote electronic reset to zero



SPECIFICATIONS

- Supply Voltage:** 2.6-3.4VDC 3µA quiescent, 10µA maximum
- Display:** Eight digit 8mm high LCD high contrast with leading zero blanking
- Operating Modes:** Seconds, Minutes/Seconds, Hours/Minutes, and Hours/Hundredths
- Mode Selection:** Connection or no-connection between two timing select pins and the positive rail
- Timing Start/Stop Input:** NPN (sink)/contact closure compatible. Response time 15mS
- Reset:** Manual pushbutton on front or pin connection which is NPN (sink)/contact closure compatible Response time 15mS
- Accuracy:** ±20 parts per million at 25°C 3VDC
- Operating Temperature:** -10°C to +60°C
- Storage Temperature:** -10°C to +60°C

Model Number	Description
0799988-612	Timer, with reset button
0799988-602	Timer, without reset button

See Section 1 for matching MicroMITE count totalizers. Models 0 799988-402/412