

# Digital Temperature Controller E5AN

## Compact 1/4 DIN Size Controllers

- Reduced panel depth of only 78 mm.
- Accepts thermocouple, platinum RTD, non-contact temperature sensors and analog temperature inputs.
- Auto-tuning and self-tuning available; functions can be used simultaneously.
- Heating or heating/cooling control.
- Event input option allows multiple set point selection and Run/Stop function.
- Water-resistant construction (NEMA 4X, equivalent to IP66).
- Conforms to UL, CSA and IEC safety standards as well as CE marking.
- 3-year warranty.



## Ordering Information

### Temperature Controllers

**Stock Note:** Shaded models are normally stocked.

Optional communications and event input boards are shown on the following page.

Size	Power supply voltage	Alarm points	Output	Heater burnout alarm	Model	
					Thermocouple input	Platinum RTD input
1/4 DIN 96(W) x 96(H) x 78(D) mm	100 to 240 VAC	3	Relay	No	<b>E5AN-R3MTC-500 AC100-240</b>	<b>E5AN-R3MP-500 AC100-240</b>
				Yes	<b>E5AN-R3HMTC-500 AC100-240</b>	<b>E5AN-R3HMP-500 AC100-240</b>
			Voltage (for driving SSR)	No	<b>E5AN-Q3MTC-500 AC100-240</b>	<b>E5AN-Q3MP-500 AC100-240</b>
				Yes	<b>E5AN-Q3HMTC-500 AC100-240</b>	<b>E5AN-Q3HMP-500 AC100-240</b>
			Current	No	<b>E5AN-C3MTC-500 AC100-240</b>	<b>E5AN-C3MP-500 AC100-240</b>
				Yes	<b>E5AN-C3HMTC-500 AC100-240</b>	<b>E5AN-C3HMP-500 AC100-240</b>
	24 V AC/DC	3	Relay	No	<b>E5AN-R3MTC-500 AC/DC24</b>	<b>E5AN-R3MP-500 AC/DC24</b>
				Yes	<b>E5AN-R3HMTC-500 AC/DC24</b>	<b>E5AN-R3HMP-500 AC/DC24</b>
			Voltage (for driving SSR)	No	<b>E5AN-Q3MTC-500 AC/DC24</b>	<b>E5AN-Q3MP-500 AC/DC24</b>
				Yes	<b>E5AN-Q3HMTC-500 AC/DC24</b>	<b>E5AN-Q3HMP-500 AC/DC24</b>
			Current	No	<b>E5AN-C3MTC-500 AC/DC24</b>	<b>E5AN-C3MP-500 AC/DC24</b>
				Yes	<b>E5AN-C3HMTC-500 AC/DC24</b>	<b>E5AN-C3HMP-500 AC/DC24</b>

**Note:** When the heating/cooling function or the heater burnout alarm is used, one of the alarm outputs is disabled for each function used.

## ■ Accessories (order separately)

**Stock Note:** Shaded models are normally stocked.

Description	Specifications	Model
Computer communications boards	RS-232C	E53-AK01
	RS-485	E53-AK03
Event input board	For remote set point and Run/Stop functionality	E53-AKB
Current transformer; order only if using heater burnout alarm function	50 A load, 5.8 mm hole dia.	E54-CT1
	120 A load, 12 mm hole dia.	E54-CT3
Terminal cover (supplied with controller)	Provides finger protection from terminals (VDE0106 part 100)	E53-COV11
Software	For setup and monitoring; requires optional computer communications board	Thermo Tools (See Note)

**Note:** Contact Omron for current version information.

## Specifications

### ■ Ratings

Supply voltage	100 to 240 VAC, 50/60 Hz	24 VAC, 50/60 Hz/24 VDC
Operating voltage range	85% to 110% of rated supply voltage	
Power consumption	9 VA	5 VA/4 W
Sensor input	Thermocouple: K, J, T, E, L, U, N, R, S, B Platinum resistance thermometer: Pt100, JPt100 Non-contact temperature sensor: 10 to 70°C, 60 to 120°C, 115 to 165°C, 160 to 260°C Voltage input: 0 to 50 mV	
Control output	Relay output	SPST-NO, 250 VAC, 5 A (resistive load), electrical life: 100,000 operations
	Voltage output	12 VDC +15%/-20% (PNP), max. load current: 40 mA, with short-circuit protection circuit
	Current output	4 to 20 mA DC, load: 600 Ω max., resolution: approx. 2,600
Alarm output	SPST-NO, 250 VAC, 3 A (resistive load), electrical life: 100,000 operations	
Control method	PID or ON/OFF control	
Setting method	Digital setting using front panel keys	
Indication method	7-segment digital display and single-lighting indicator Character height: PV: 15.0 mm; SV: 9.5 mm	
Ambient operating temperature	-10°C to 55°C (14°F to 131°F) with no condensation or icing	
Storage temperature	-25°C to 65°C (-13°F to 149°F) with no condensation or icing	
Ambient humidity	25% to 85% RH	

### ■ Characteristics

Indication accuracy	Thermocouple: ±0.5% of indicated value or ±1°C, whichever greater, ±1 digit max. (See Note) Platinum resistance thermometer: ±0.5% of indicated value or ±1°C, whichever greater, ±1 digit max. Analog input: ±0.5% FS±1 digit max. CT input: ±5% FS±1 digit max.
Hysteresis	0.1 to 999.9 EU (in units of 0.1 EU)
Proportional band (P)	0.1 to 999.9 EU (in units of 0.1 EU)
Integral time (I)	0 to 3999 s (in units of 1 s)
Derivative time (D)	0 to 3999 s (in units of 1 s)
Control period	1 to 99 s (in units of 1 s)
Manual reset value	0.0% to 100.0% (in units of 0.1%)
Alarm setting range	-1999 to 9999 (decimal point position depends on input type)
Sampling period	500 ms
Insulation resistance	20 MΩ min. at 500 VDC

**Note:** The indication of K thermocouples in the -200 to 1300°C range, and T and N thermocouples at a temperature of -100°C or less, and U and L thermocouples at any temperature is ±2°C±1 digit maximum. The indication of B thermocouples at a temperature of 400°C or less is unrestricted.  
The indication of R and S thermocouples at a temperature of 200°C or less is ±3°C±1 digit maximum.

(This table continues on the next page.)

Specifications Table - continued from previous page

<b>Dielectric strength</b>	2000 VAC, 50 or 60 Hz for 1 min between different charging terminals	
<b>Vibration resistance</b>	10 to 55 Hz, 10 m/s <sup>2</sup> for 2 hours each in X, Y and Z directions	
<b>Shock resistance</b>	300 m/s <sup>2</sup> , 3 times each in 3 axes, 6 directions (relay: 100 m/s <sup>2</sup> )	
<b>Weight</b>	Approx. 310 g	Mounting bracket: Approx. 100 g
<b>Protective structure</b>	Front panel: NEMA 4X for indoor use (equivalent to IP66), rear case: IP20, terminals: IP00	
<b>Memory protection</b>	EEPROM non-volatile memory (number of writes: 100,000)	
<b>EMC</b>	Emission Enclosure:	EN55011 Group 1 class A
	Emission AC Mains:	EN55011 Group 1 class A
	Immunity ESD:	EN61000-4-2: 4 kV contact discharge (level 2) 8 kV air discharge (level 3)
	Immunity RF-interference:	ENV50140: 10 V/m (amplitude modulated, 80 MHz to 1 GHz) (level 3) 10 V/m (pulse modulated, 900 MHz)
	Immunity Conducted Disturbance:	ENV50141: 10 V (0.15 to 80 MHz) (level 3)
	Immunity Burst:	EN61000-4-4: 2 kV power-line (level 3) 2 kV I/O signal-line (level 4)
<b>Approved standards</b>	UL3121-1, CSA22.2 No. 14, E.B.1402C Conforms to EN50081-2, EN50082-2, EN61010-1 (IEC61010-1) Conforms to VDE0106/part 100 (Finger Protection) when the terminal cover is mounted.	

## ■ Communications Specifications

<b>Transmission path connection</b>	Multiple points
<b>Communications method (See Note 1)</b>	RS-485 (two-wire, half duplex)/RS-232C
<b>Synchronization method</b>	Start-stop synchronization
<b>Baud rate</b>	1,200/2,400/4,800/9,600/19,200 bps
<b>Transmission code</b>	ASCII
<b>Data bit length (See Note 2)</b>	7 or 8 bits
<b>Stop bit length (See Note 2)</b>	1 or 2 bits
<b>Error detection</b>	Vertical parity (none, even, odd) Frame check sequence (FCS): with SYSMAC WAY Block check character (BCC): with CompoWay/F
<b>Flow control</b>	Not available
<b>Interface (See Note 1)</b>	RS-485/RS-232C
<b>Retry function</b>	Not available
<b>Communications buffer</b>	40 bytes

- Note:** 1. RS-232C communications are only supported for the E5AN and E5EN models.  
2. The baud rate, data bit length, stop bit length, or vertical parity can be individually set using the communications setting level.

## ■ Current Transformer Ratings

Model	E54-CT1	E54-CT3
<b>Max. continuous heater current</b>	50 amps	120 amps (See Note 1)
<b>Dielectric strength</b>	1,000 VAC (for 1 min)	
<b>Vibration resistance</b>	50 Hz, 98 m/s <sup>2</sup> (10G)	
<b>Weight</b>	Approx. 11.5 g	Approx. 50 g
<b>Accessories</b>	--	Armature: 2; Plug: 2

- Note:** 1. Use within the max heater current rating of controller table shown below.

## ■ Heater Burnout Alarm

<b>Max. heater current</b>	Single-phase 50 A AC
<b>Heater current value display accuracy</b>	±5% FS ±1 digit max.
<b>Heater burnout alarm setting range</b>	0.1 to 49.9 A (in units of 0.1 A) (See Note 1)
<b>Min. detection ON time</b>	190 ms (See Note 2)

- Note:** 1. The heater burnout alarm is always OFF if the alarm is set to 0.0 A and always ON if the alarm is set to 50.0 A.  
2. No heater burnout detection or heater current value measurement is possible if the control output (heat) is ON for less than 190 ms.

**Input Types (selectable with input jumper connector)**

**Thermocouple**

Input (field selectable) (See Note)	K1	K2	J1	J2	T1	T2	E	L	U1	U2	
Set value	0	1	2	3	4	17	5	6	7	18	
Range	°C	-200 to 1,300	-20.0 to 500.0	-100 to 850	-20.0 to 400.0	-200 to 400	-199.9 to 400.0	0 to 600	100 to 850	-200 to 400	-199.9 to 400.0
	°F	300 to 2,300	0 to 900.0	100 to 1,500	0.0 to 750.0	300 to 700	-199.9 to 700.0	0 to 1,100	-100 to 1,500	-300 to 700	-199.9 to 700.0

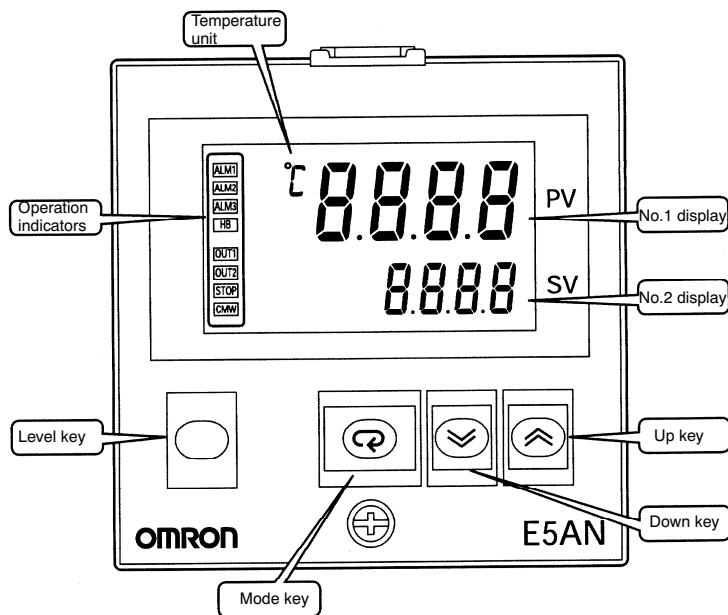
Input (field selectable) (See Note)	N	R	S	B	K10 to 70°C	K60 to 120°C	K115 to 165°C	K160 to 260°C	0 to 50 mV	
Set value	8	9	10	11	12	13	14	15	16	
Range	°C	-200 to 1,300	0 to 1,700	0 to 1,700	100 to 1,800	0 to 90	0 to 120	0 to 165	0 to 260	-1999 to 9999 or -199.9 to 999.9 (selectable)
	°F	-300 to 2,300	0 to 3,000	0 to 3,000	300 to 3,200	0 to 190	0 to 240	0 to 320	0 to 500	

**Note:** Setting number is factory-set to 0 (K1).

**Platinum Resistance Thermometer (RTD's)**

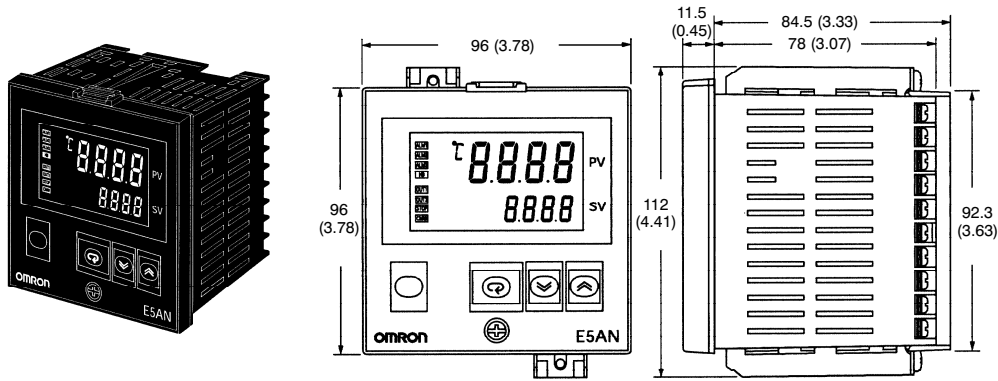
Input (field selectable)	Pt100	Pt100	Pt100	JPt100	JPt100
Set value	0	1	2	3	4
Range °C	-200 to 850	-199.9 to 500.0	0.0 to 100.0	-199.9 to 500.0	0.0 to 100.0
Range °F	-300 to 1500	-199.9 to 900.0	0.0 to 210.0	-199.9 to 900.0	0.0 to 210.0

**Nomenclature**

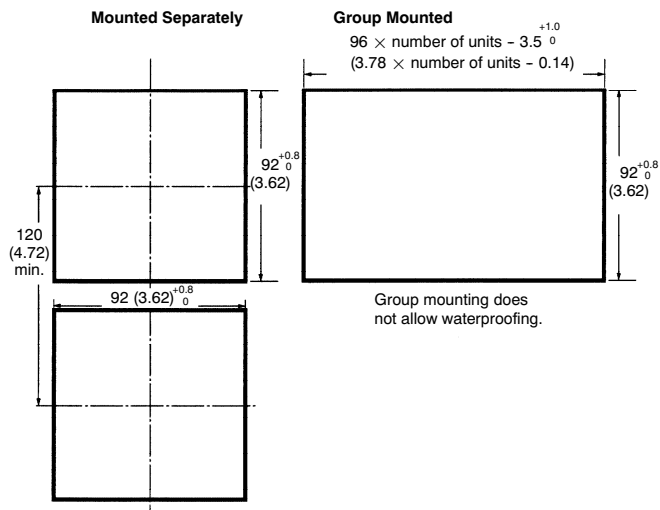


# Dimensions

Unit: mm (inch)



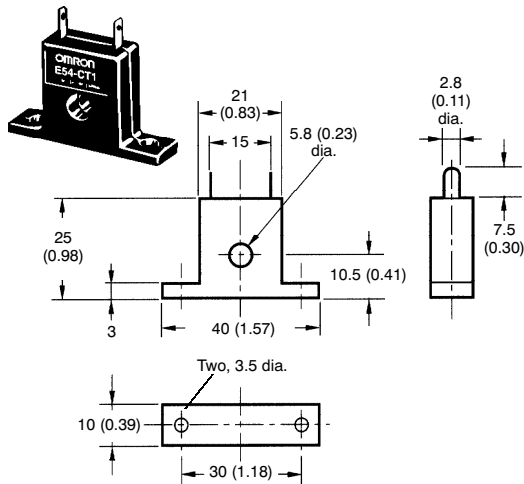
## Panel Cutouts



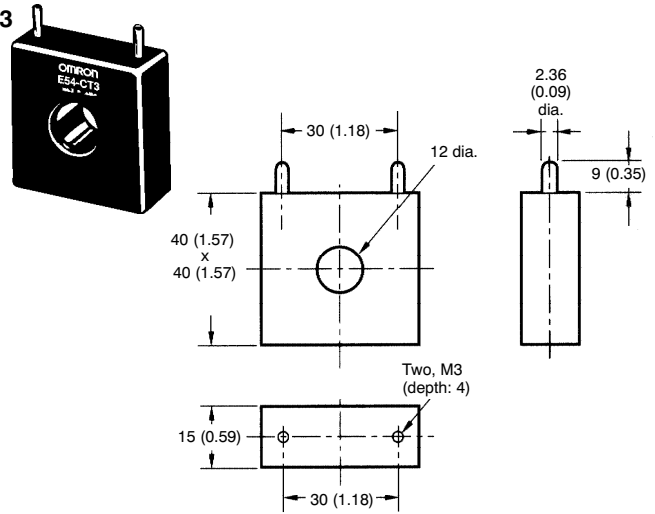
- Recommended panel thickness is 1 to 8 mm (0.04 to 0.31 inch).
- Group mounting is not possible in the vertical direction. (Maintain the specified mounting space between Controllers when they are group mounted.)
- To mount the E5AN so that it is waterproof, apply the waterproof packing to the E5AN.
- When two or more E5ANs are mounted, make sure that the surrounding temperature does not exceed the allowable operating temperature range in the specifications.

## Current Transformer (Sold Separately)

E54-CT1

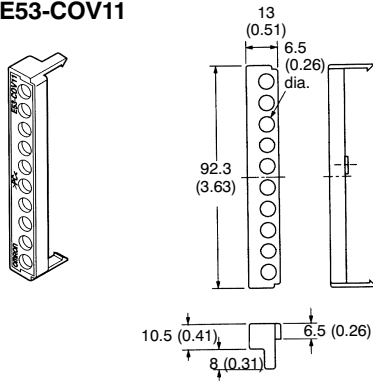


E54-CT3



## Terminal Cover

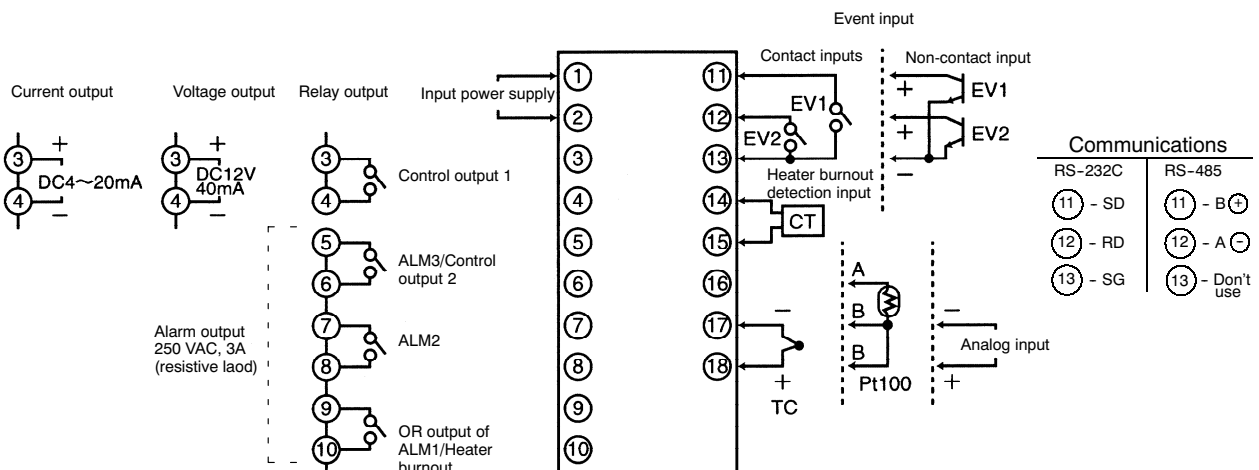
E53-COV11



## Wiring Terminals

The voltage output (control output) is not electrically isolated from the internal circuits. When using a grounded thermocouple, do not connect the control output terminals to ground. If the control output terminals are connected to the ground, errors will occur in the measured temperature values as a result of leakage current.

Standard insulation is applied to the power supply I/O sections. If reinforced insulation is required, connect the input and output terminals to a device without any exposed current-carrying parts or to a device with standard insulation suitable for the maximum operating voltage of the power supply I/O section.



## Certain Terms and Conditions of Sale

1. **Offer; Acceptance.** These terms and conditions (these "Terms") are deemed part of all catalogs, manuals or other documents, whether electronic or in writing, relating to the sale of goods or services (collectively, the "Goods") by Omron Electronics LLC and its subsidiary companies ("Seller"). Seller hereby objects to any terms or conditions proposed in Buyer's purchase order or other documents which are inconsistent with, or in addition to, these Terms. Please contact your Omron representative to confirm any additional terms for sales from your Omron company.
2. **Prices.** All prices stated are current, subject to change without notice by Seller. Buyer agrees to pay the price in effect at time of shipment.
3. **Discounts.** Cash discounts, if any, will apply only on the net amount of invoices sent to Buyer after deducting transportation charges, taxes and duties, and will be allowed only if (i) the invoice is paid according to Seller's payment terms and (ii) Buyer has no past due amounts owing to Seller.
4. **Orders.** Seller will accept no order less than \$200 net billing.
5. **Governmental Approvals.** Buyer shall be responsible for, and shall bear all costs involved in, obtaining any government approvals required for the importation or sale of the Goods.
6. **Taxes.** All taxes, duties and other governmental charges (other than general real property and income taxes), including any interest or penalties thereon, imposed directly or indirectly on Seller or required to be collected directly or indirectly by Seller for the manufacture, production, sale, delivery, importation, consumption or use of the Goods sold hereunder (including customs duties and sales, excise, use, turnover and license taxes) shall be charged to and remitted by Buyer to Seller.
7. **Financial.** If the financial position of Buyer at any time becomes unsatisfactory to Seller, Seller reserves the right to stop shipments or require satisfactory security or payment in advance. If Buyer fails to make payment or otherwise comply with these Terms or any related agreement, Seller may (without liability and in addition to other remedies) cancel any unshipped portion of Goods sold hereunder and stop any Goods in transit until Buyer pays all amounts, including amounts payable hereunder, whether or not then due, which are owing to it by Buyer. Buyer shall in any event remain liable for all unpaid accounts.
8. **Cancellation; Etc.** Orders are not subject to rescheduling or cancellation unless Buyer indemnifies Seller fully against all costs or expenses arising in connection therewith.
9. **Force Majeure.** Seller shall not be liable for any delay or failure in delivery resulting from causes beyond its control, including earthquakes, fires, floods, strikes or other labor disputes, shortage of labor or materials, accidents to machinery, acts of sabotage, riots, delay in or lack of transportation or the requirements of any government authority.
10. **Shipping; Delivery.** Unless otherwise expressly agreed in writing by Seller:
  - a. Shipments shall be by a carrier selected by Seller;
  - b. Such carrier shall act as the agent of Buyer and delivery to such carrier shall constitute delivery to Buyer;
  - c. All sales and shipments of Goods shall be FOB shipping point (unless otherwise stated in writing by Seller), at which point title to and all risk of loss of the Goods shall pass from Seller to Buyer, provided that Seller shall retain a security interest in the Goods until the full purchase price is paid by Buyer;
  - d. Delivery and shipping dates are estimates only.
  - e. Seller will package Goods as it deems proper for protection against normal handling and extra charges apply to special conditions.
11. **Claims.** Any claim by Buyer against Seller for shortage or damage to the Goods occurring before delivery to the carrier must be presented in writing to Seller within 30 days of receipt of shipment and include the original transportation bill signed by the carrier noting that the carrier received the Goods from Seller in the condition claimed.
12. **Warranties.** (a) **Exclusive Warranty.** Seller's exclusive warranty is that the Goods will be free from defects in materials and workmanship for a period of twelve months from the date of sale by Seller (or such other period expressed in writing by Seller). Seller disclaims all other warranties, express or implied. (b) **Limitations.** SELLER MAKES NO WARRANTY OR REPRESENTATION, EXPRESS OR IMPLIED, ABOUT NON-INFRINGEMENT, MERCHANTABILITY OR FITNESS FOR A PARTICULAR PURPOSE OF THE GOODS. BUYER ACKNOWLEDGES THAT IT ALONE HAS DETERMINED THAT THE GOODS WILL SUITABLY MEET THE REQUIREMENTS OF THEIR INTENDED USE. Seller further disclaims all warranties and responsibility of any type for claims or expenses based on infringement by the Goods or otherwise of any intellectual property right. (c) **Buyer Remedy.** Seller's sole obligation hereunder shall be to replace (in the form originally shipped with Buyer responsible for labor charges for removal or replacement thereof) the non-complying Good or, at Seller's election, to repay or credit Buyer an amount equal to the purchase price of the Good; provided that in no event shall Seller be responsible for warranty, repair, indemnity or any other claims or expenses regarding the Goods unless Seller's analysis confirms that the Goods were properly handled, stored, installed and maintained and not subject to contamination, abuse, misuse or inappropriate modification. Return of any goods by Buyer must be approved in writing by Seller before shipment. Seller shall not be liable for the suitability or unsuitability or the results from the use of Goods in combination with any electrical or electronic components, circuits, system assemblies or any other materials or substances or environments. Any advice, recommendations or information given orally or in writing, are not to be construed as an amendment or addition to the above warranty.
13. **Damage Limits; Etc.** SELLER SHALL NOT BE LIABLE FOR SPECIAL, INDIRECT OR CONSEQUENTIAL DAMAGES, LOSS OF PROFITS OR PRODUCTION OR COMMERCIAL LOSS IN ANY WAY CONNECTED WITH THE GOODS, WHETHER SUCH CLAIM IS BASED IN CONTRACT, WARRANTY, NEGLIGENCE OR STRICT LIABILITY. Further, in no event shall liability of Seller exceed the individual price of the Good on which liability is asserted.
14. **Indemnities.** Buyer shall indemnify and hold harmless Seller, its affiliates and its employees from and against all liabilities, losses, claims, costs and expenses (including attorney's fees and expenses) related to any claim, investigation, litigation or proceeding (whether or not Seller is a party) which arises or is alleged to arise from Buyer's acts or omissions under these Terms or in any way with respect to the Goods. Without limiting the foregoing, Buyer (at its own expense) shall indemnify and hold harmless Seller and defend or settle any action brought against Seller to the extent that it is based on a claim that any Good made to Buyer specifications infringed intellectual property rights of another party.
15. **Property; Confidentiality.** The intellectual property embodied in the Goods is the exclusive property of Seller and its affiliates and Buyer shall not attempt to duplicate it in any way without the written permission of Seller. Notwithstanding any charges to Buyer for engineering or tooling, all engineering and tooling shall remain the exclusive property of Seller. All information and materials supplied by Seller to Buyer relating to the Goods are confidential and proprietary, and Buyer shall limit distribution thereof to its trusted employees and strictly prevent disclosure to any third party.
16. **Miscellaneous.** (a) **Waiver.** No failure or delay by Seller in exercising any right and no course of dealing between Buyer and Seller shall operate as a waiver of rights by Seller. (b) **Assignment.** Buyer may not assign its rights hereunder without Seller's written consent. (c) **Amendment.** These Terms constitute the entire agreement between Buyer and Seller relating to the Goods, and no provision may be changed or waived unless in writing signed by the parties. (d) **Severability.** If any provision hereof is rendered ineffective or invalid, such provision shall not invalidate any other provision. (e) **Setoff.** Buyer shall have no right to set off any amounts against the amount owing in respect of this invoice. (f) As used herein, "including" means "including without limitation".

## Certain Precautions on Specifications and Use

1. **Suitability of Use.** Seller shall not be responsible for conformity with any standards, codes or regulations which apply to the combination of the Good in the Buyer's application or use of the Good. At Buyer's request, Seller will provide applicable third party certification documents identifying ratings and limitations of use which apply to the Good. This information by itself is not sufficient for a complete determination of the suitability of the Good in combination with the end product, machine, system, or other application or use. The following are some examples of applications for which particular attention must be given. This is not intended to be an exhaustive list of all possible uses of this Good, nor is it intended to imply that the uses listed may be suitable for this Good:
  - (i) Outdoor use, uses involving potential chemical contamination or electrical interference, or conditions or uses not described in this document.
  - (ii) Energy control systems, combustion systems, railroad systems, aviation systems, medical equipment, amusement machines, vehicles, safety equipment, and installations subject to separate industry or government regulations.
  - (iii) Systems, machines and equipment that could present a risk to life or property. Please know and observe all prohibitions of use applicable to this Good.
2. **Programmable Products.** Seller shall not be responsible for the user's programming of a programmable Good, or any consequence thereof.
3. **Performance Data.** Performance data given in this catalog is provided as a guide for the user in determining suitability and does not constitute a warranty. It may represent the result of Seller's test conditions, and the user must correlate it to actual application requirements. Actual performance is subject to the Seller's Warranty and Limitations of Liability.
4. **Change in Specifications.** Product specifications and accessories may be changed at any time based on improvements and other reasons. It is our practice to change part numbers when published ratings or features are changed, or when significant construction changes are made. However, some specifications of the Good may be changed without any notice. When in doubt, special part numbers may be assigned to fix or establish key specifications for your application. Please consult with your Seller's representative at any time to confirm actual specifications of purchased Good.
5. **Errors and Omissions.** The information in this catalog has been carefully checked and is believed to be accurate; however, no responsibility is assumed for clerical, typographical or proofreading errors, or omissions.

NEVER USE THE PRODUCT FOR AN APPLICATION INVOLVING SERIOUS RISK TO LIFE OR PROPERTY WITHOUT ENSURING THAT THE SYSTEM AS A WHOLE HAS BEEN DESIGNED TO ADDRESS THE RISKS, AND THAT THE SELLER'S PRODUCT IS PROPERLY RATED AND INSTALLED FOR THE INTENDED USE WITHIN THE OVERALL EQUIPMENT OR SYSTEM.

Complete "Terms and Conditions of Sale" for product purchase and use are on Omron's website at [www.omron.com/oei](http://www.omron.com/oei) – under the "About Us" tab, in the Legal Matters section.

**ALL DIMENSIONS SHOWN ARE IN MILLIMETERS.**

To convert millimeters into inches, multiply by 0.03937. To convert grams into ounces, multiply by 0.03527.

---

**OMRON**<sup>®</sup>**OMRON ELECTRONICS LLC**

One Commerce Drive  
Schaumburg, IL 60173

**847-843-7900**

For US technical support or other inquiries:

**800-556-6766****OMRON CANADA, INC.**

885 Milner Avenue  
Toronto, Ontario M1B 5V8

**416-286-6465****OMRON ON-LINE**

Global - <http://www.omron.com>  
USA - <http://www.omron.com/oei>  
Canada - <http://www.omron.ca>