

storm

5003 Series. Vandal Resistant Display Bezel



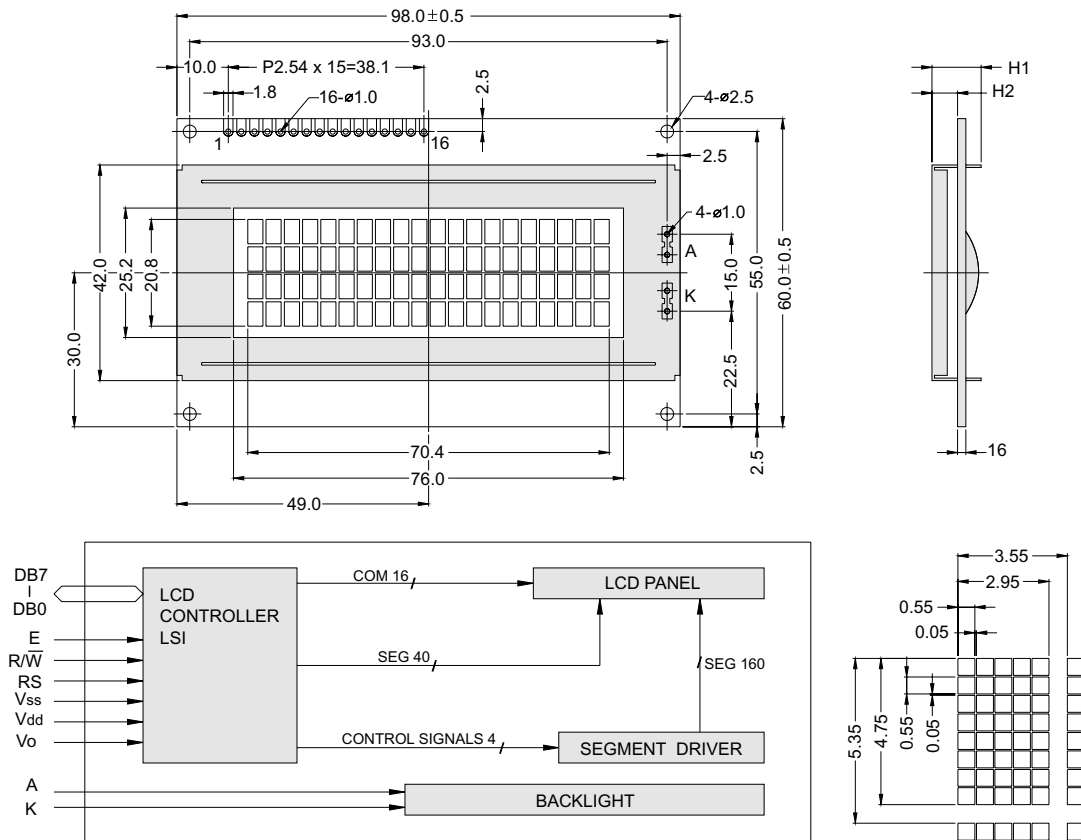
For menu driven applications in the toughest environments

- Impact resistant (20J BS EN 60068-2-75: 1997).
- Clear, scratch resistant, anti-reflective window.
- Water and dust resistant. (IP65).
- Responsive menu navigation and option select keys.
- Available with or without an optional 122 X 32 dot resolution, LCD graphic display, or 4 line X 20 characters LCD display module.
- Under-panel fixing through panel thicknesses of up to 2 mm.
- Supplied complete with panel gasket.
- Resistant to petrochemicals and most commonly used cleaning agents.
- 20 °C (dry) to +60 °C (Bezel only. Display to be separately specified according to application).
- Optional heater module for use in cold environments.
- Download a 3D CAD model of this device at www.storm-interface.com.





OUTLINE DIMENSION & BLOCK DIAGRAM



The tolerance unless classified $\pm 0.3\text{mm}$

MECHANICAL SPECIFICATION			
Overall Size	98.0 x 60.0	Module	H2 / H1
View Area	76.0 x 25.2	W / O B/L	5.0 / 9.6
Dot Size	0.55 x 0.55	EL B/L	5.0 / 9.6
Dot Pitch	0.60 x 0.60	LED B/L	8.7 / 13.3

PIN ASSIGNMENT		
Pin no.	Symbol	Function
1	Vss	Power supply(GND)
2	Vdd	Power supply(+)
3	Vo	Contrast Adjust
4	RS	Register select signal
5	R/W	Data read / write
6	E	Enable signal
7	DB0	Data bus line
8	DB1	Data bus line
9	DB2	Data bus line
10	DB3	Data bus line
11	DB4	Data bus line
12	DB5	Data bus line
13	DB6	Data bus line
14	DB7	Data bus line
15	A	Power supply for LED B/L (+)
16	K	Power supply for LED B/L (-)

ABSOLUTE MAXIMUM RATING						
Item	Symbol	Condition	Min.	Max.	Units	
Supply for logic voltage	Vdd-Vss	25°C	-0.3	7	V	
LCD driving supply voltage	Vdd-Vee	25°C	-0.3	13	V	
Input voltage	Vin	25°C	-0.3	Vdd+0.3	V	

ELECTRICAL CHARACTERISTICS									
Item	Symbol	Condition	Min.	Typical	Max.	Units			
Power supply voltage	Vdd-Vss	25°C	2.7	-	5.5	V			
LCD operation voltage	Vop	Top	N	W	N	W	V		
		-20°C	-	7.1	-	7.5	-	V	
		0°C	5.1	-	5.4	-	6.1	-	V
		25°C	5	6.1	5.3	6.4	5.8	6.7	V
		50°C	4.4	-	4.7	-	5.5	-	V
		70°C	-	5.7	-	6	-	6.3	V
LCM current consumption (No B/L)	Idd	Vdd=5V	-	2.5	4	mA			
Backlight current consumption	LED/edge	VB/L=4.2V	-	-	-	mA			
	LED/array	VB/L=4.2V	-	260	-	mA			

REMARK

LCD option: STN, TN, FSTN

Backlight Option: LED,EL Backlight feature, other Specs not available on catalog is under request.





5000 Series. Toughened Display Module - Installation Instructions

SPECIFICATIONS

Responsive menu navigation and option select keys
 Matrix Output to 0.1" square pins
 Overall Size
 Vandal Resistant
 Water and Dust Resistant.....

compatible with Molex KK Housing
 110 mm wide x 88 mm high
 20J BS EN 60068-2-75:1997
 IP65

Panel Mount Gasket Included.
 Responsive key action.....
 Panel Cutout
 Operating Temp
 Switch Rating
 Contact Resistance

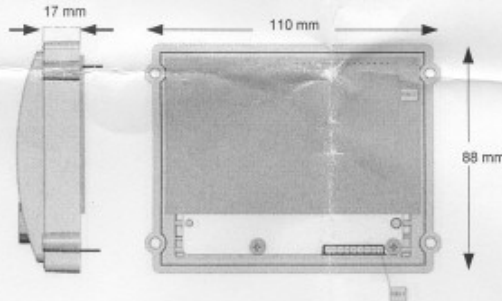
travel 1.5 mm (nominal), force 130 gm (nominal)
 96 mm x 81 mm
 -20°C to +60°C
 24 V dc (Max), 50 mA (Max)
 100 Ohms (Max)

Optional backlit 4 line x 20 character LCD Powertips PC2004-A-LRU-H
 fitted with a single row of 16 0.1" square pins
 LCD Operating Voltage +5V to +9V (see note *)

UNIT WITH LCD FITTED



Position 1	Position 2	Position 3
R1C1	R1C2	R1C3



MATRIX KEYPAD CONNECTIONS

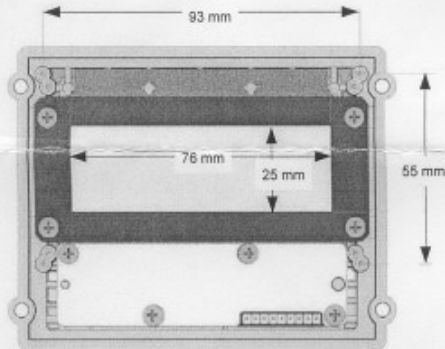
CONTACT CONNECTIONS
(REAR VIEW)

PINS	• • • • • • • • • •
PIN NUMBER	9 8 7 6 5 4 3 2 1

CONTACT MATRIX

PIN	ROW / COLUMN
7	C1
6	C2
5	C3
3	R1

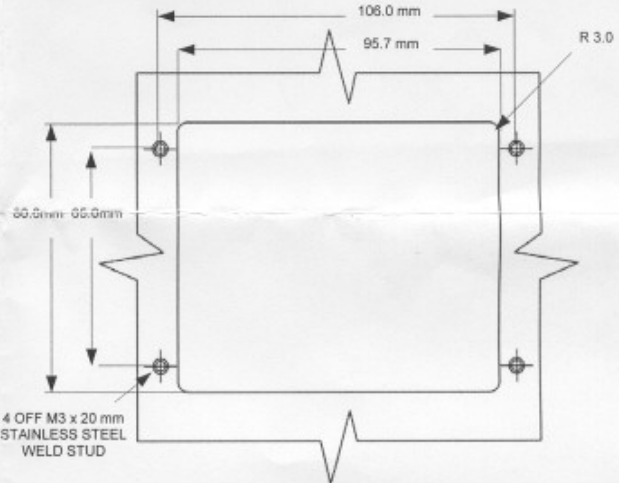
REAR VIEW (NO LCD)



WINDOW VIEW AREA IS 76 x 25 mm
 LCD MOUNTING CENTRES AT 93 mm x 55 mm, (OR 89.9 mm x 48.8 mm)

TO SECURE LCD USE PLASTITE TYPE SCREW, M1.8 THREAD OR EQUIVALENT

HOST PANEL CUTOUT



RECOMMENDED PANEL MATERIAL 1.6 OR 2.0 mm STAINLESS STEEL . TOLERANCES ± 0.5mm

INSTALLATION

1. Prepare host panel and connection cable(s). For keypad use Molex 2895 Connector 5 way (PN22-01-2051) or 9 way (PN 22-01-2091). For LCD use PN 22-01-2161
2. Fit the supplied gasket over the 4 weld studs on the rear of the host panel.
3. Slide the display bezel over the studs and secure with M3 Nyloc Nuts or similar.

ORDERING DETAILS

Stock No	Item
5001-20010[X]	DISPLAY BEZEL 3 KEY
5001-20020[X]	DISPLAY BEZEL 3 KEY WITH 4 X 20 CHARACTER DISPLAY

[X] denotes packaging variant

Note* LCD Rating - Temperature Compensation

An LCD operating voltage varies at different temperatures. The operating voltage must rise as temperature lowers or the contrast will degrade. Conversely, the operating voltage must fall as the temperature rises or the contrast will degrade. A temperature compensation circuit is required to control the input voltage as the temperature changes.

For Connection Information for LCD see :
 Powertip PC 2004-A Datasheet for 4 x 20 Character LCD

Mounting Details Page 1 of 1
 500-xx-08KT Rev 1 Nov 2004



www.storm-interface.com

Storm interface is a trading name of Keymat Technology Ltd

usa office :
 Suite 202

364 Pennsylvania Avenue
 Glen Ellyn IL 60137 USA
 tel : (630) 469 2981
 fax : (630) 469 2975

email : sales.usa@storm-interface.com

uk office:

14 Bentinck Court
 Bentinck Road
 West Drayton
 Middlesex UB7 7RQ
 tel : +44 (0) 1895 431421
 fax : +44 (0) 1895 431132

email : sales@storm-interface.com



FM39602